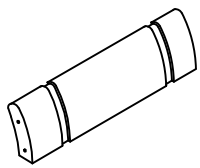
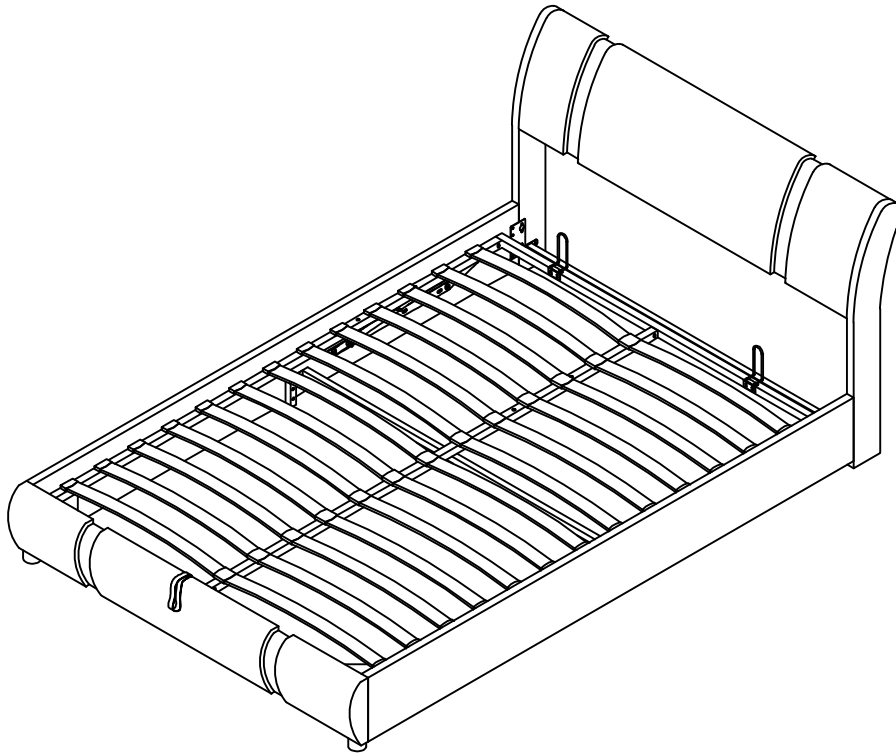
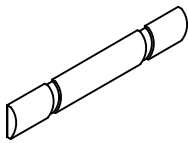


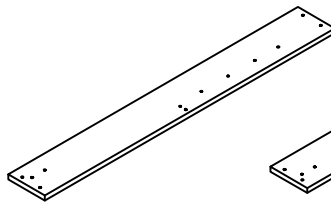
# Assembly instructions



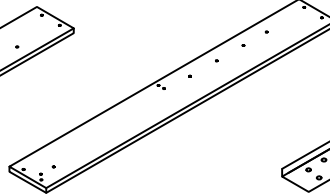
1 .1PC



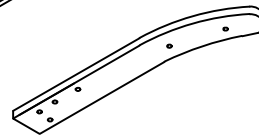
2 .1PC



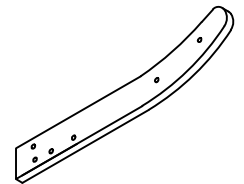
3 .1PC



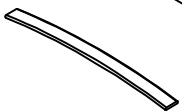
4 .1PC



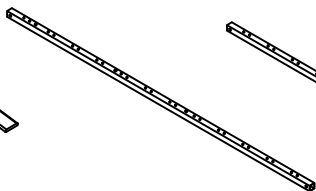
5 .1PC



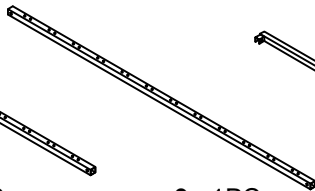
6 .1PC



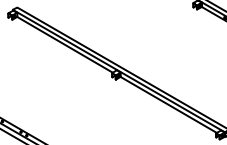
7 .26PCS



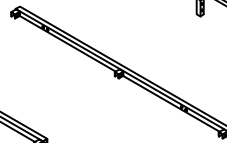
8 .2PCS



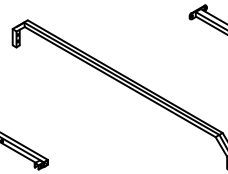
9 .1PC



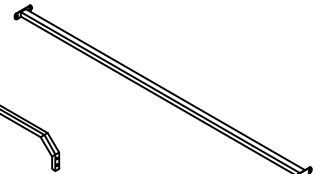
10 .1PC



11 .1PC



12 .1PC



13 .1PC



14 .2PCS



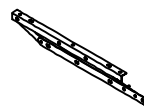
15 .2PCS



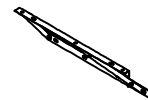
16 .2PCS



18 .1PC



19 .1PC



20 .1PC



22 .13PCS



23 .26PCS



24 .2PCS



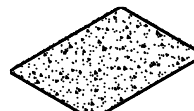
25 .8PCS



26 .1PC



27 .2PCS



29 .1PC



M4\*50  
A .2PCS



M8\*18  
B .28PCS



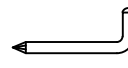
M8\*35  
C .28PCS



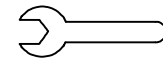
M8\*45  
D .6PCS



M8  
F .20PCS

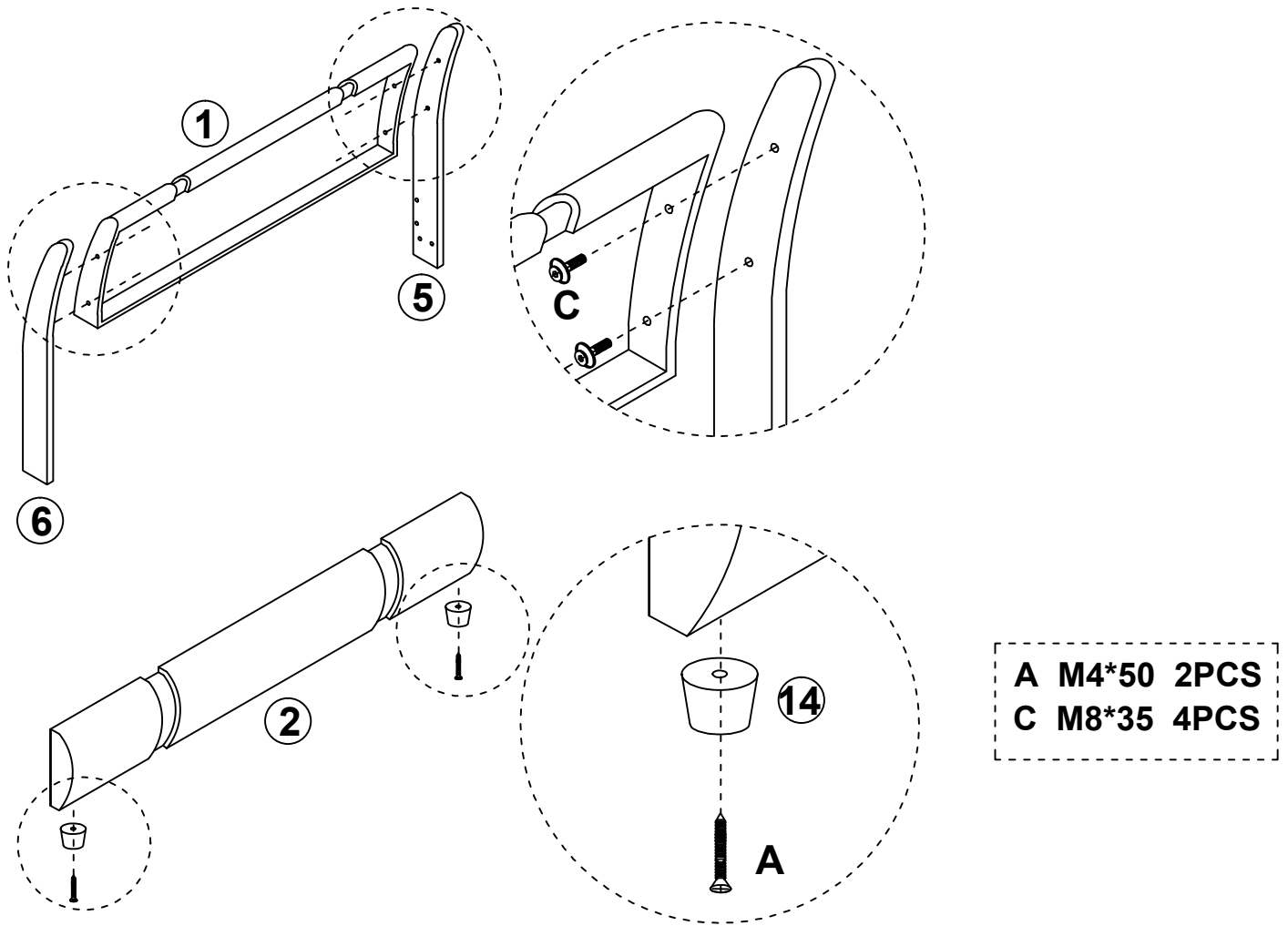


M8  
G .1PC



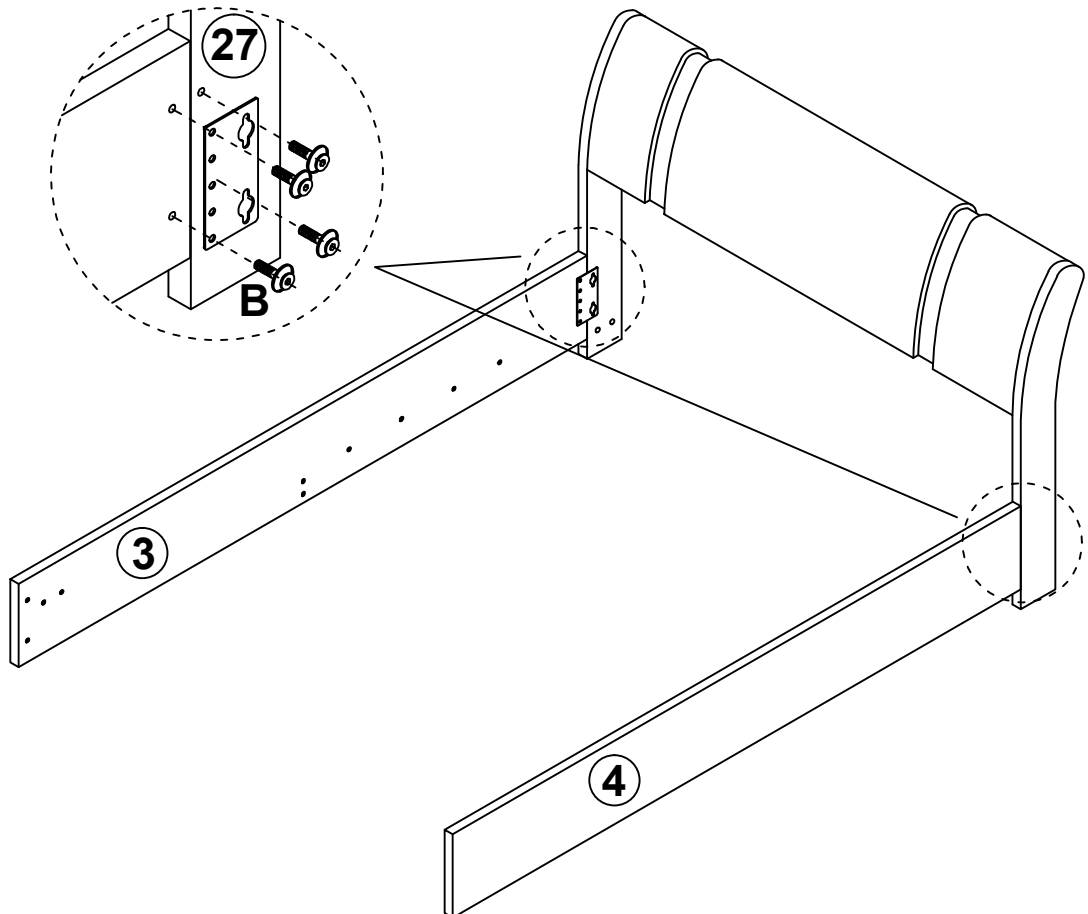
M8  
H .1PC

Step:1



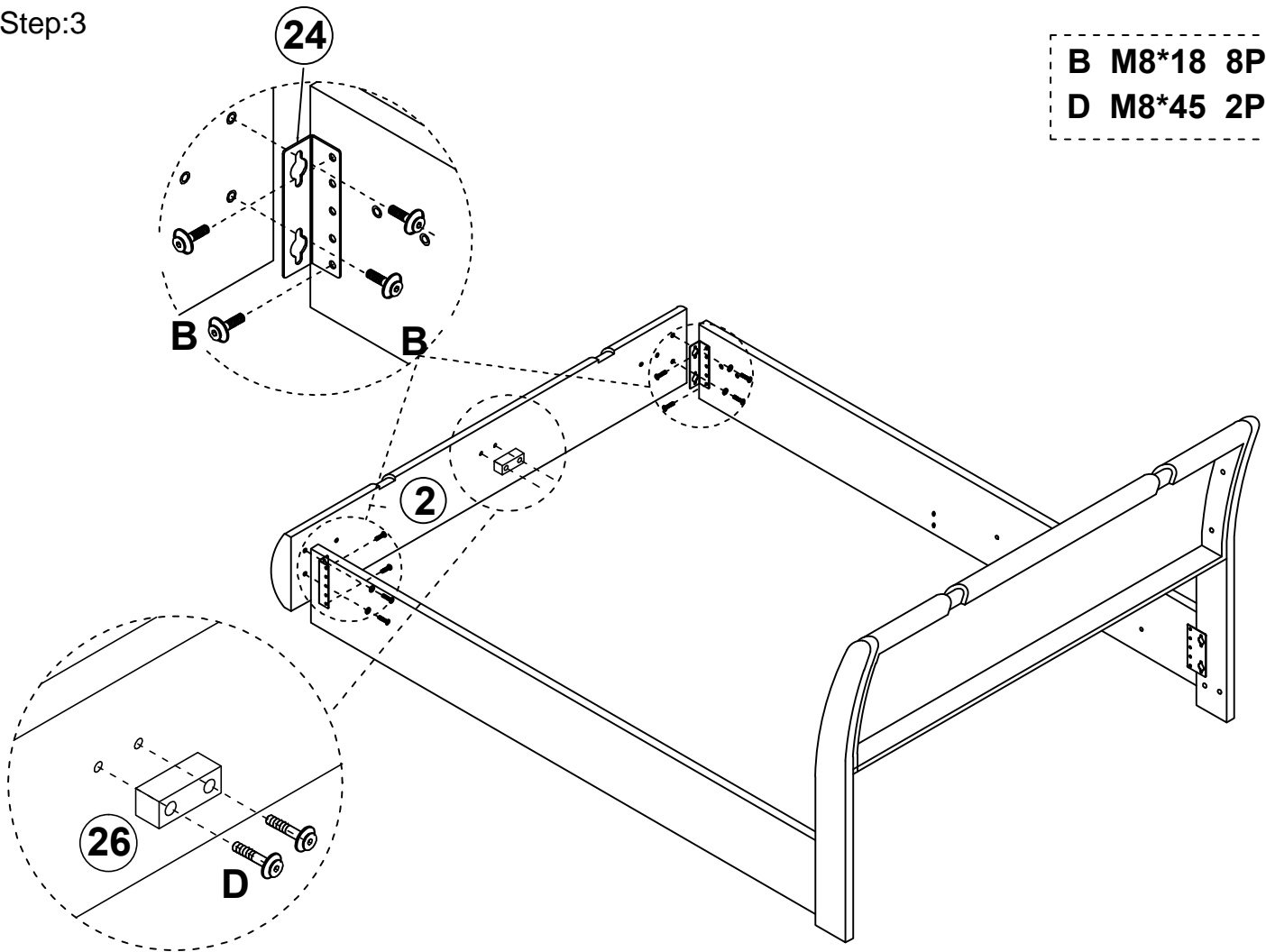
Step:2

B M8\*18 8PCS



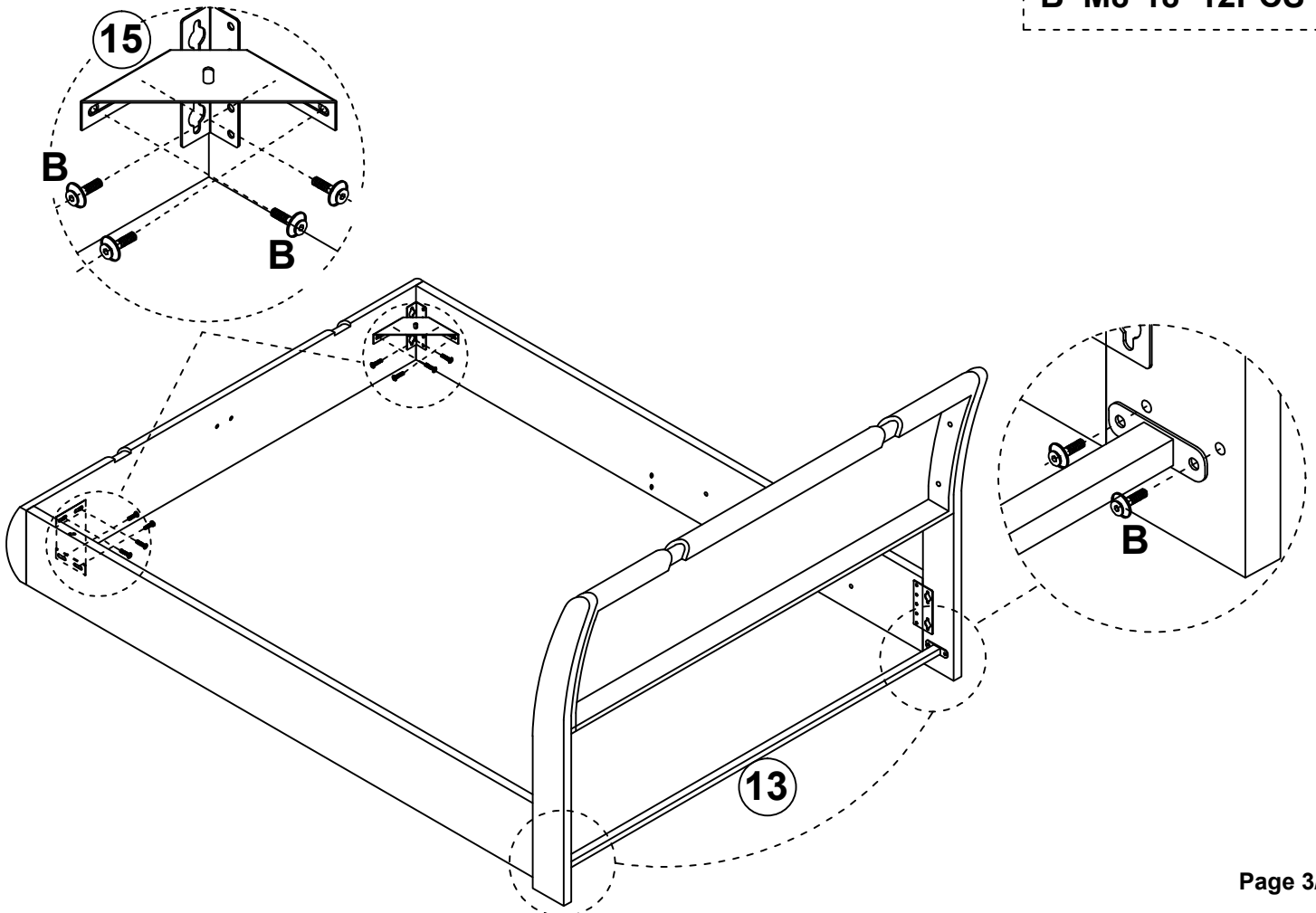
Step:3

**B M8\*18 8PCS**  
**D M8\*45 2PCS**



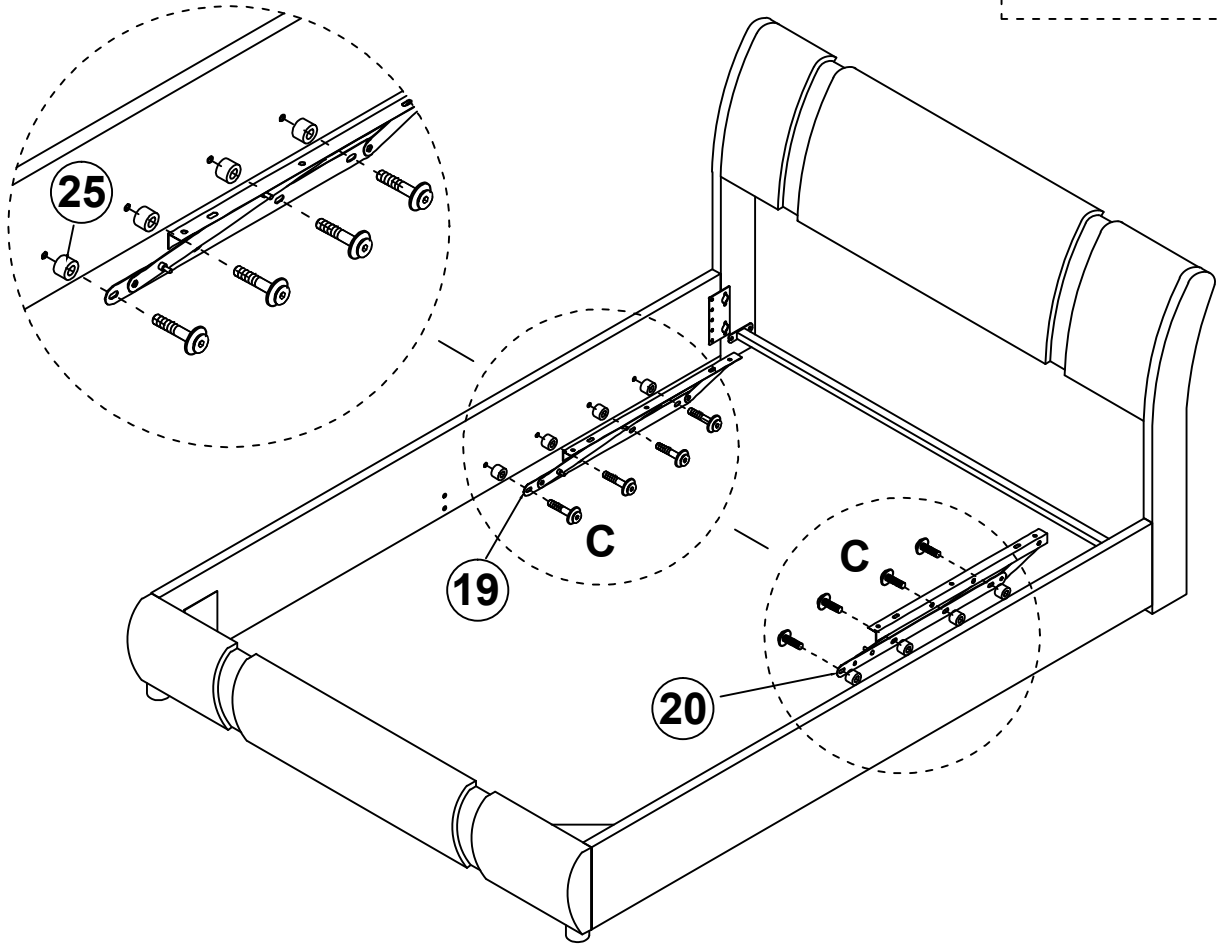
Step:4

**B M8\*18 12PCS**



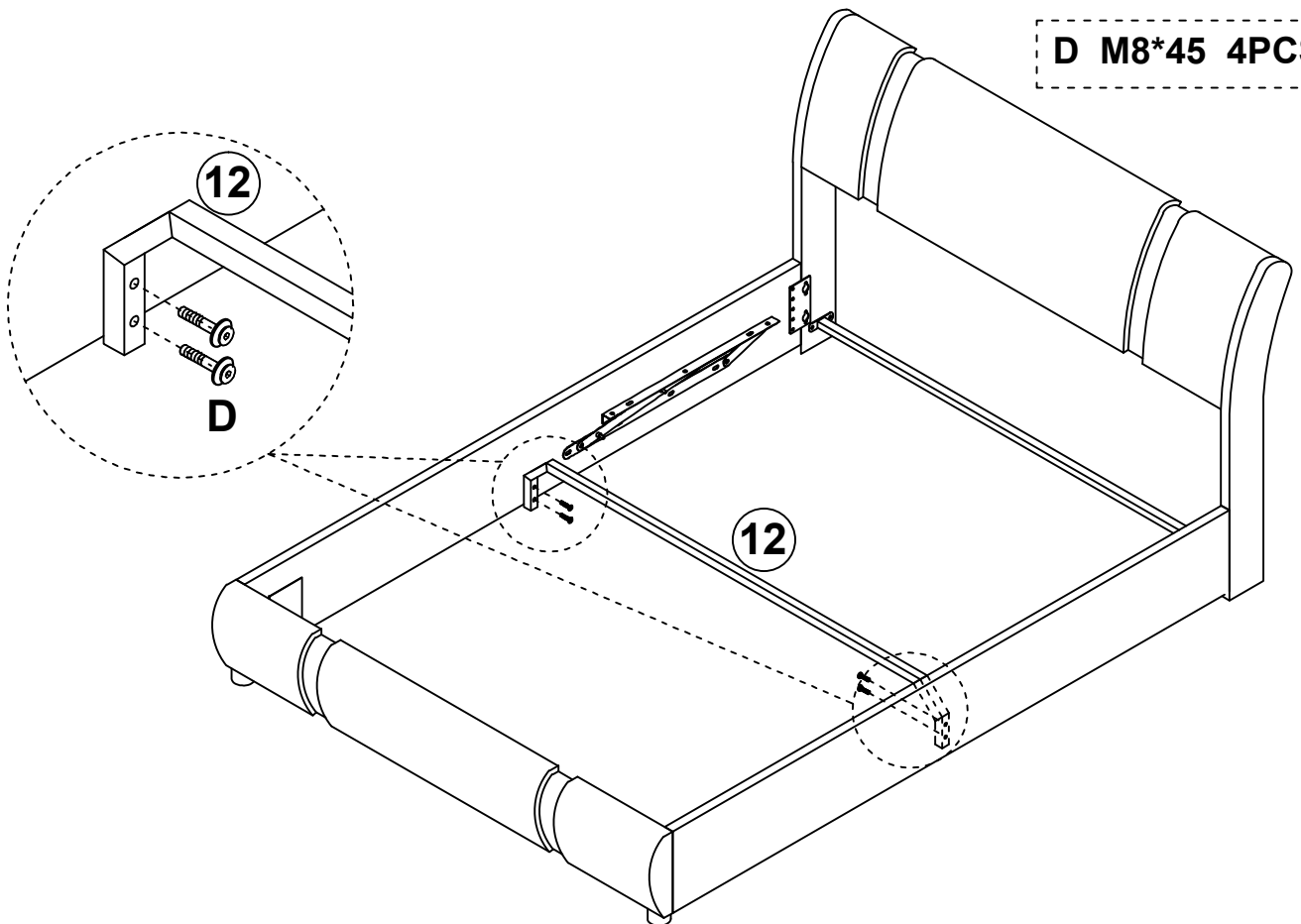
Step:5

**C M8\*35 8PCS**

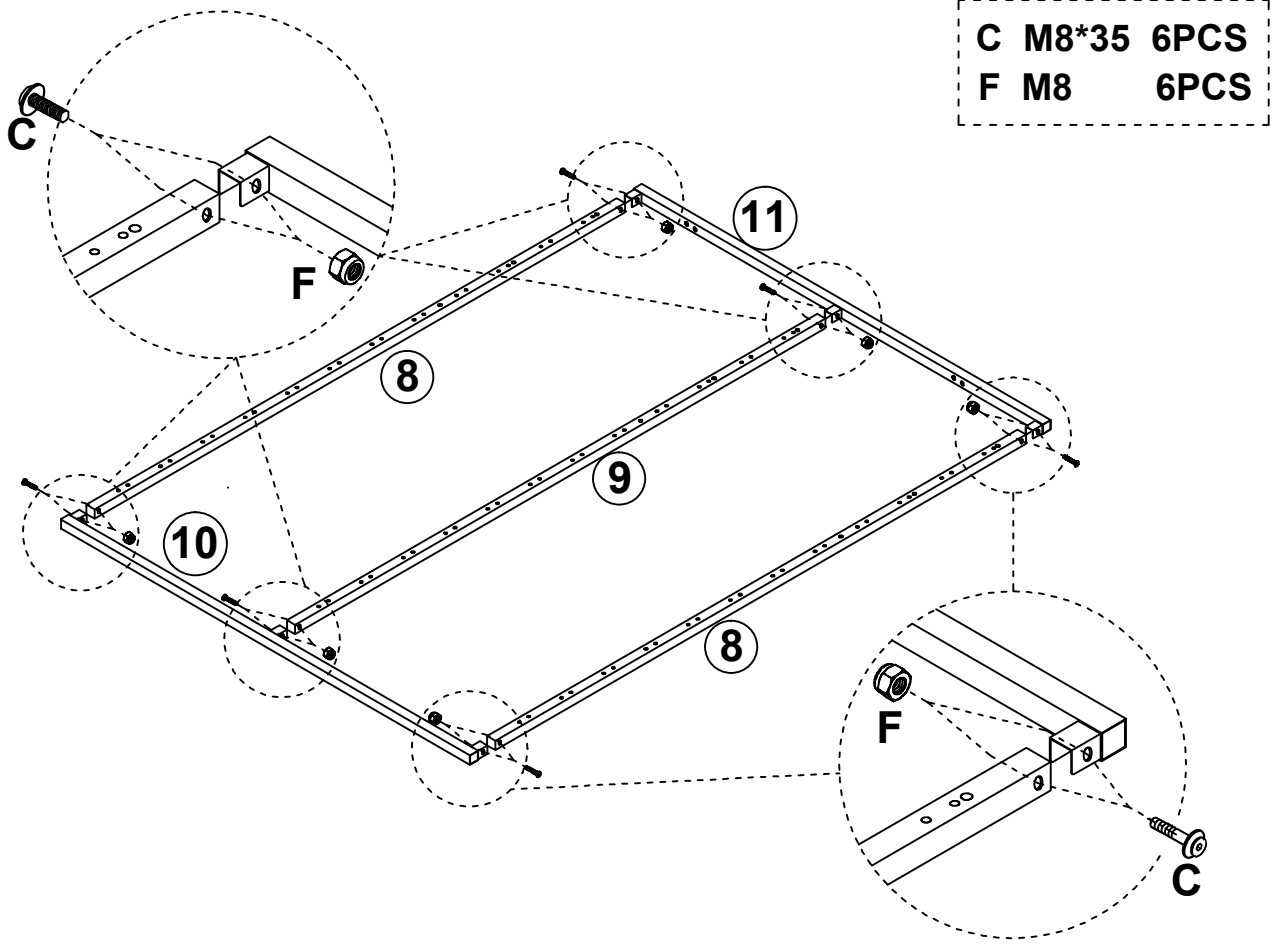


Step:6

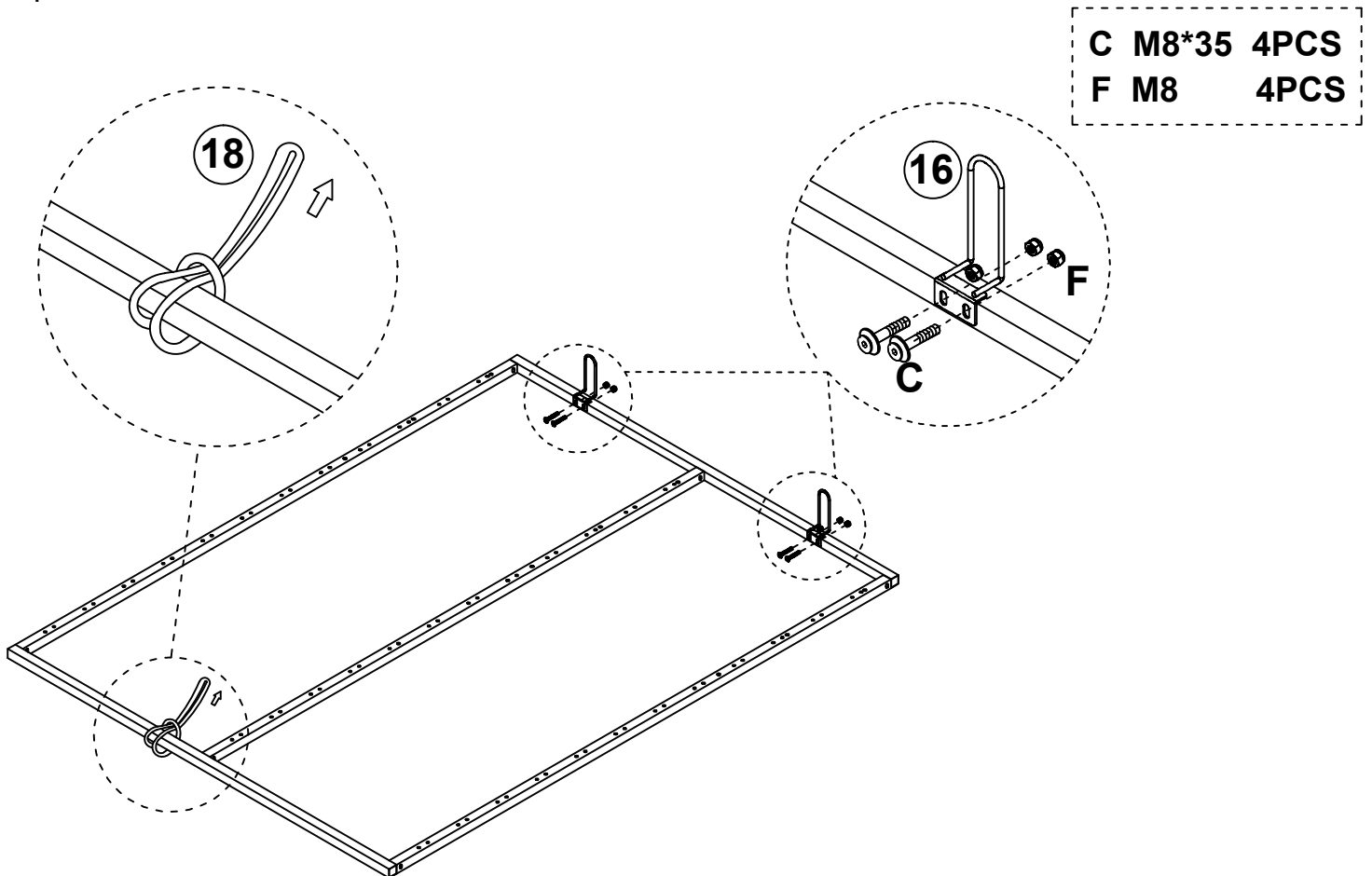
**D M8\*45 4PCS**



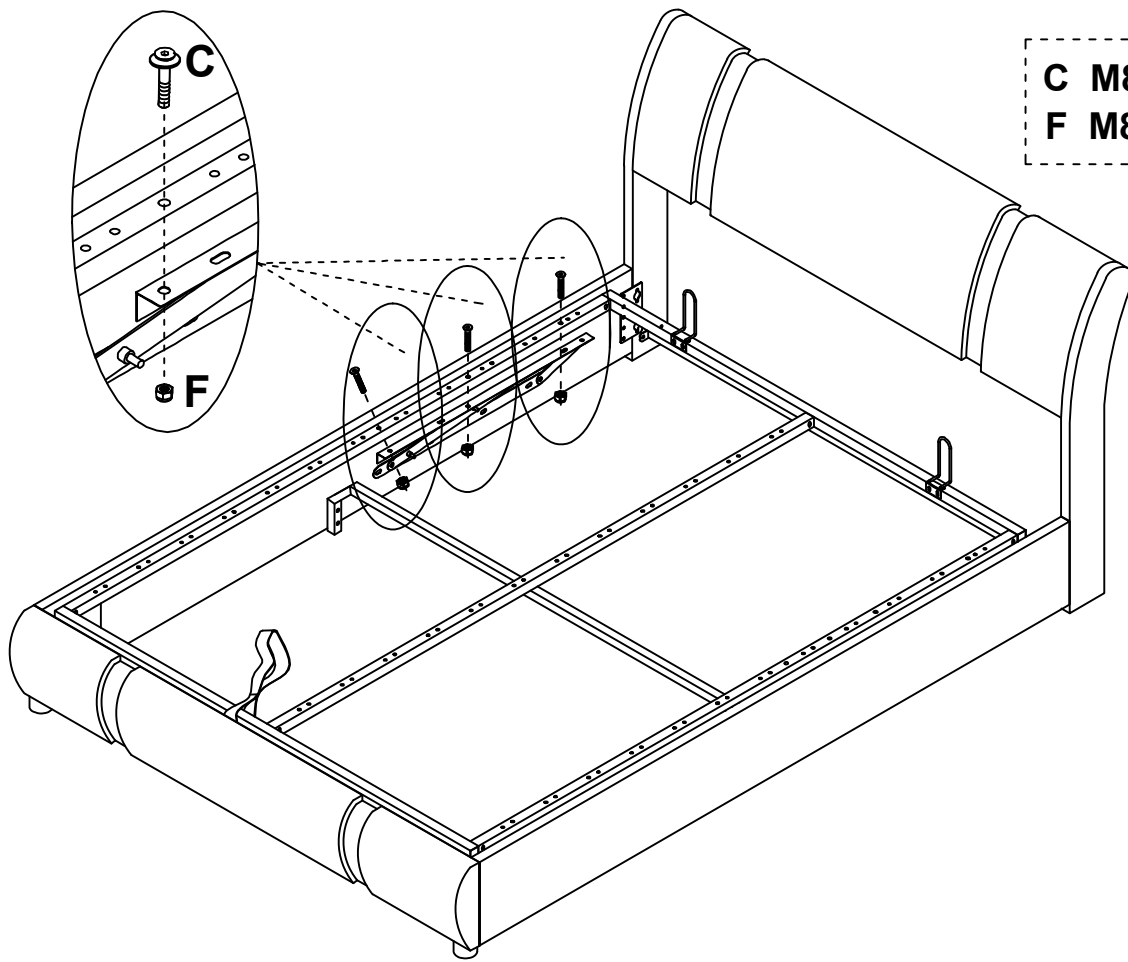
Step:7



Step:8



Step:9

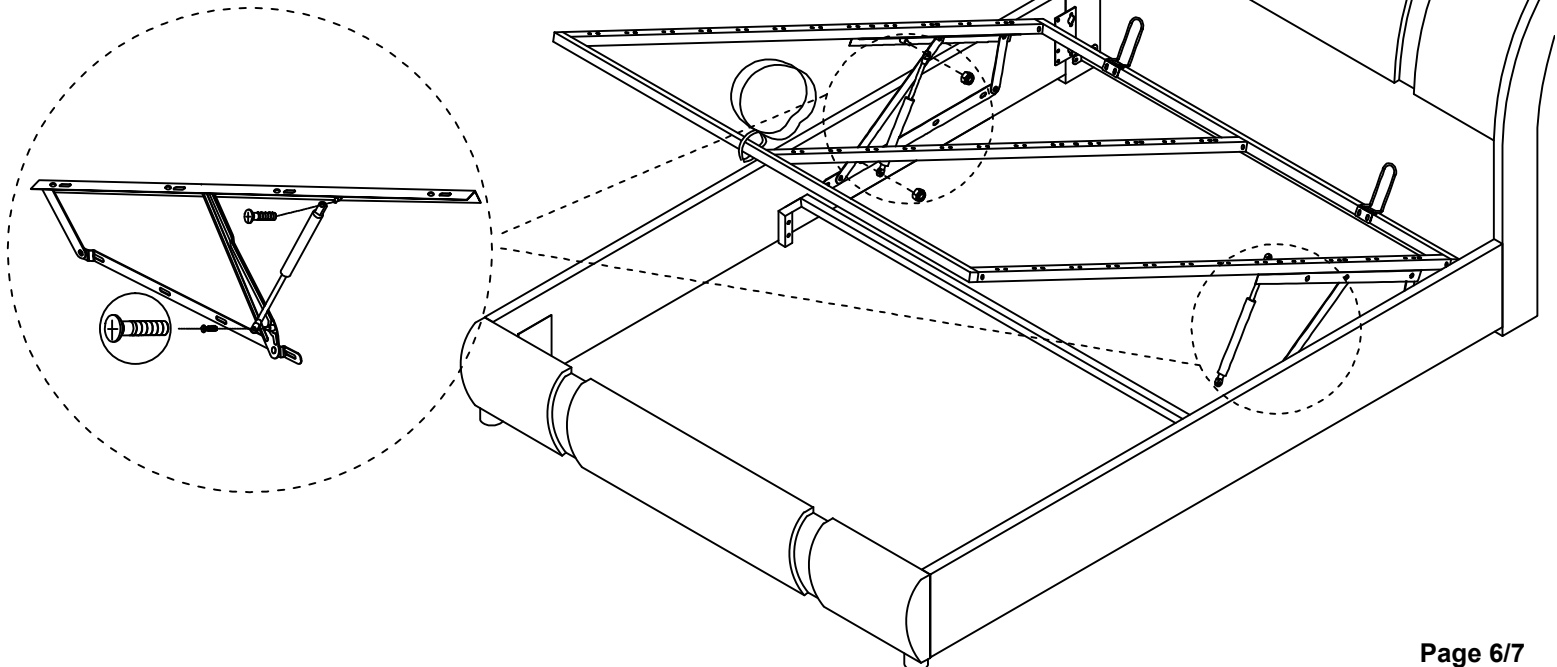


C M8\*35 6PCS  
F M8 6PCS

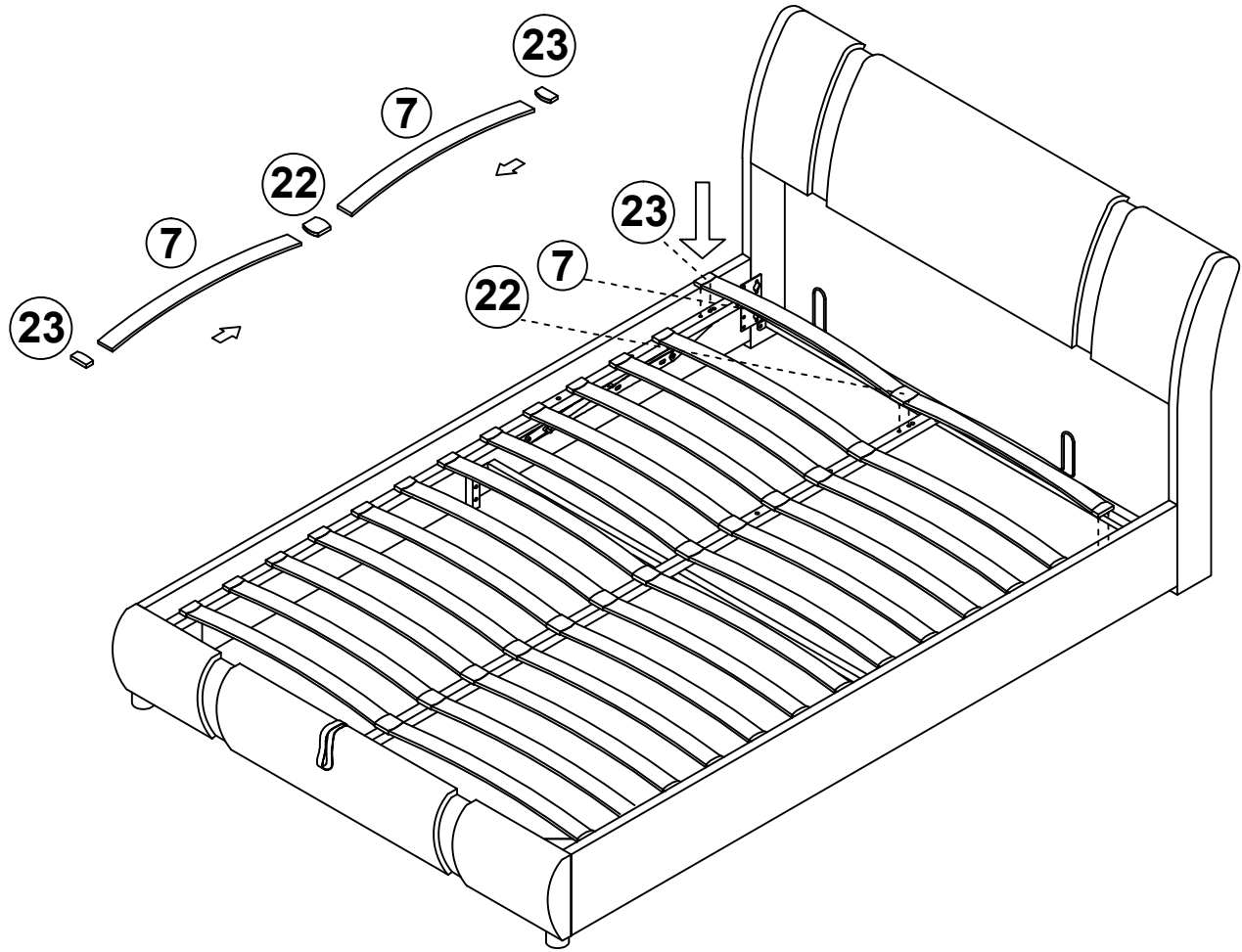
Step:10

The cylinder of cylinder frame is not completely installed. Please screw off the screw at the other end and lock it as shown in the figure.

F M8 4PCS



Step:11



Step:12



Move slowly and operate with caution

Open it

