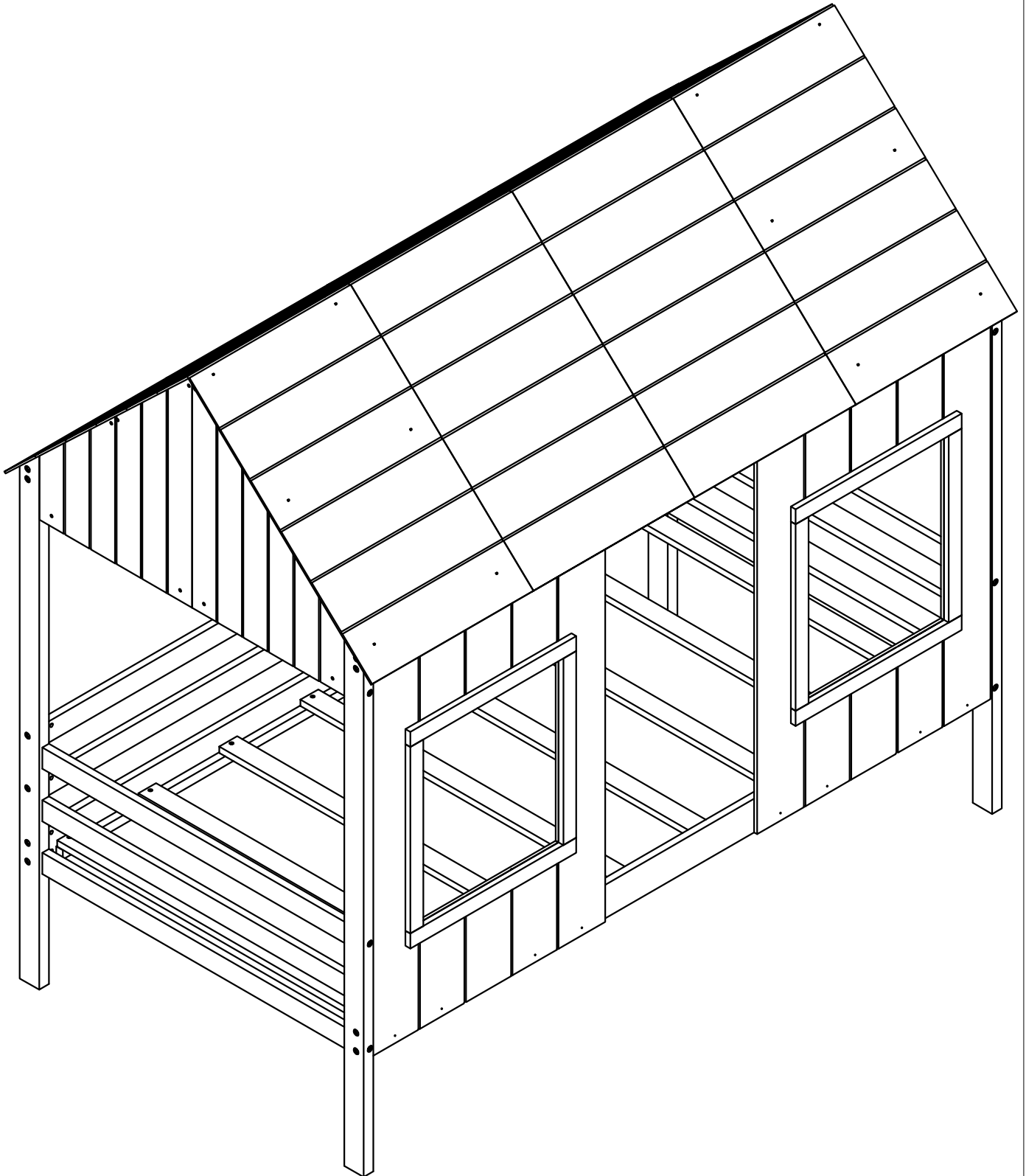


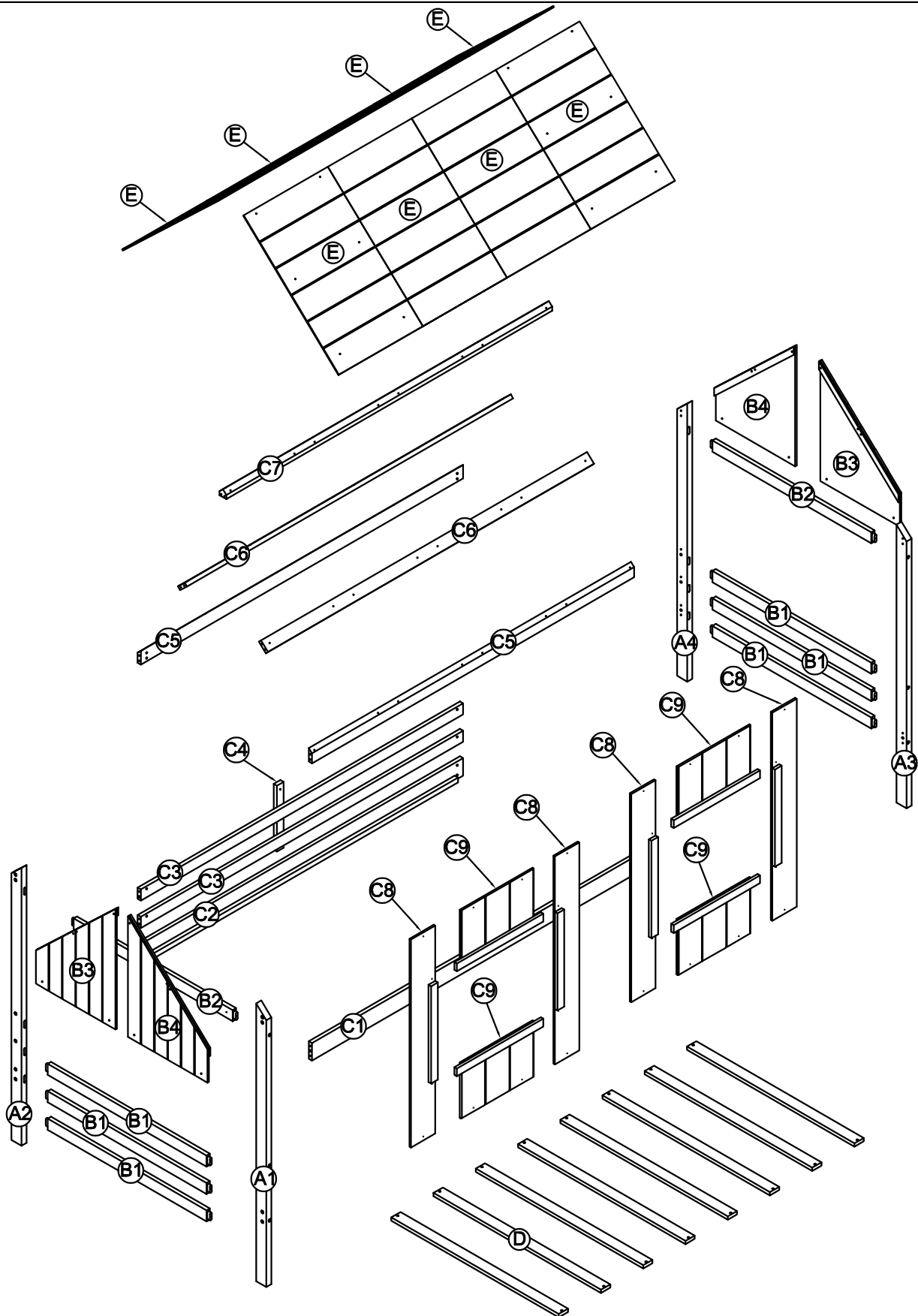
# ASSEMBLY INSTRUCTION

SKU CODE: (WF298170-WF298171)





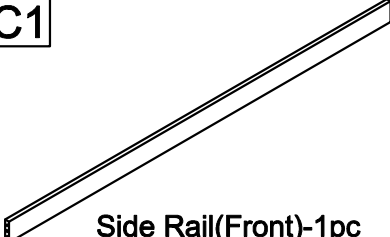
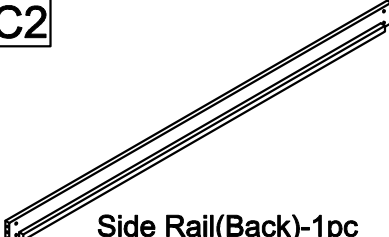
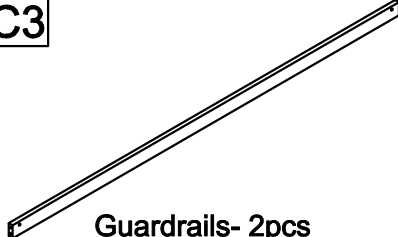
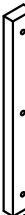
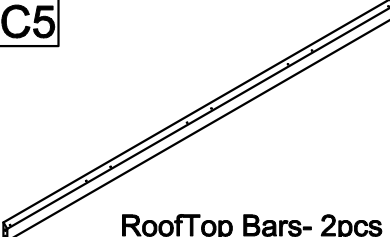
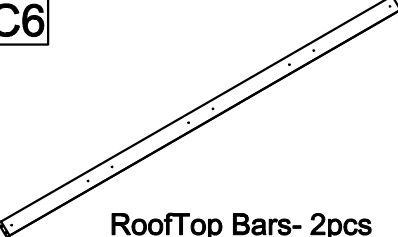
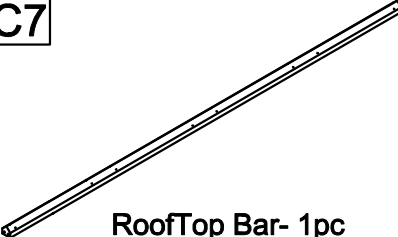

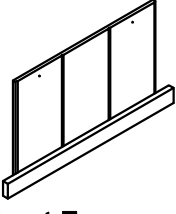
**This set is included 2 boxes if don't receive full 2 boxes please contact our customer service team**



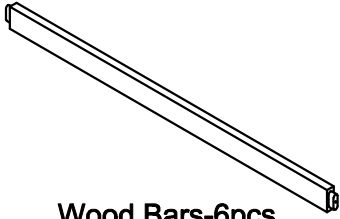
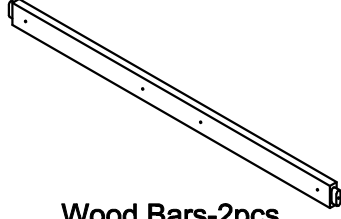
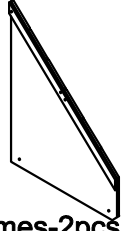
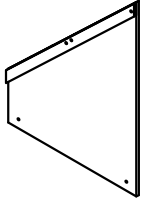
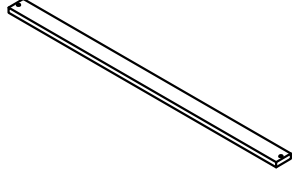
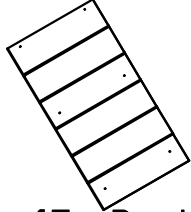
# ASSEMBLY INSTRUCTION




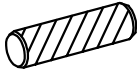
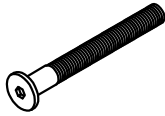


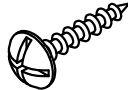
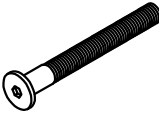

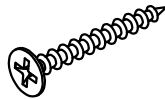
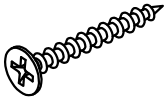

# Part List & Hardware List (Box 1-WF298170)

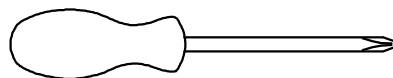
<b>A1</b>  Leg-1pc	<b>A2</b>  Leg-1pc	<b>A3</b>  Leg-1pc
<b>A4</b>  Leg-1pc	<b>C1</b>  Side Rail(Front)-1pc	<b>C2</b>  Side Rail(Back)-1pc
<b>C3</b>  Guardrails- 2pcs	<b>C4</b>  Rail- 1pc	<b>C5</b>  RoofTop Bars- 2pcs
<b>C6</b>  RoofTop Bars- 2pcs	<b>C7</b>  RoofTop Bar- 1pc	<b>C8</b>  Front Frames- 4pcs
<b>C9</b>  Front Frames- 4pcs		

# Part List (Box 2-WF298171)

<b>B1</b>  Wood Bars-6pcs	<b>B2</b>  Wood Bars-2pcs	<b>B3</b>  Frames-2pcs
<b>B4</b>  Frames-2pcs	<b>D</b>  Slats-8pcs	<b>E</b>  Roof Top Panels-8pcs

# Hardware List(Box 1-WF298170)

<p><b>1</b></p>  <p>Screws 1/4" x80 12pcs</p>	<p><b>2</b></p>  <p>Ø10 x 40 mm Wood dowel 8pcs</p>	<p><b>3</b></p>  <p>Ø1/4" x 80 mm Hex-Head bolts 20pcs</p>
<p><b>4</b></p>  <p>Ø1/4" x 13 mm Horizontal-Hole bolts 32pcs</p>	<p><b>5</b></p>  <p>Screws 1/4" x30 3pcs</p>	<p><b>6</b></p>  <p>M4 x 15 mm Wood Screws 48pcs</p>
<p><b>7</b></p>  <p>Ø1/4" x 70 mm Hex-Head bolts 12pcs</p>	<p><b>8</b></p>  <p>Screws 1/4" x25 8pcs</p>	<p><b>9</b></p>  <p>M4 x 30 mm Wood Screws 16pcs</p>
<p><b>10</b></p>  <p>M4 x 20 mm Wood Screws 24pcs</p>	<p><b>11</b></p>  <p>Allen Key 1pc</p>	



**Assembly Tools Required (Not Included)**

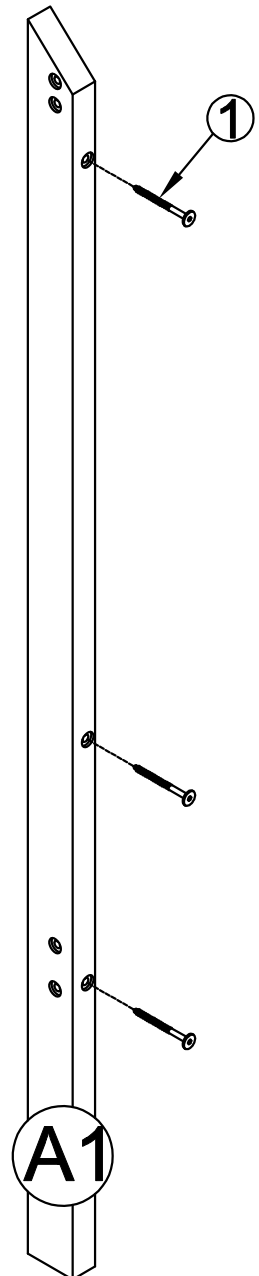
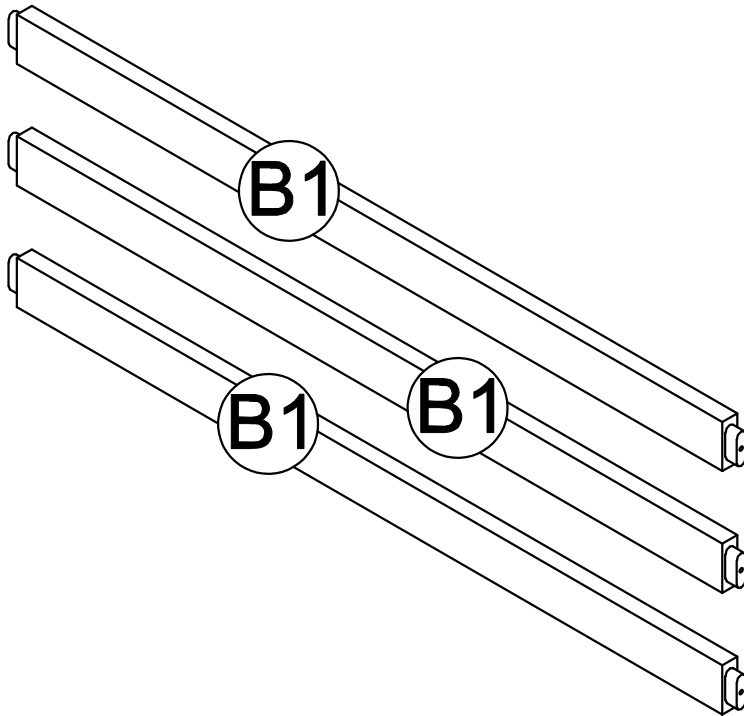
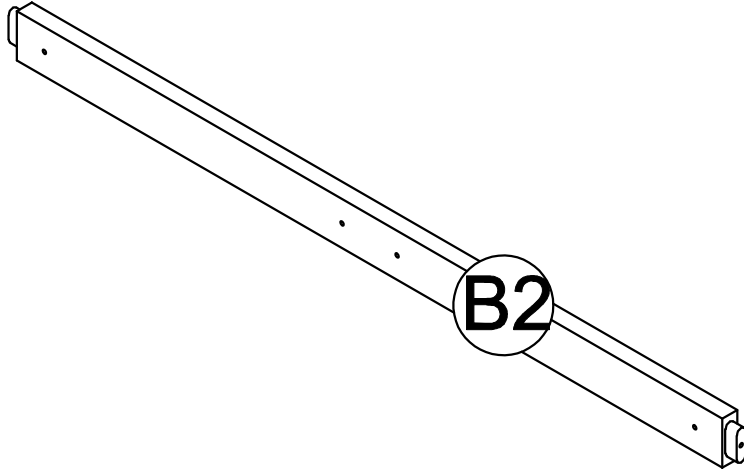
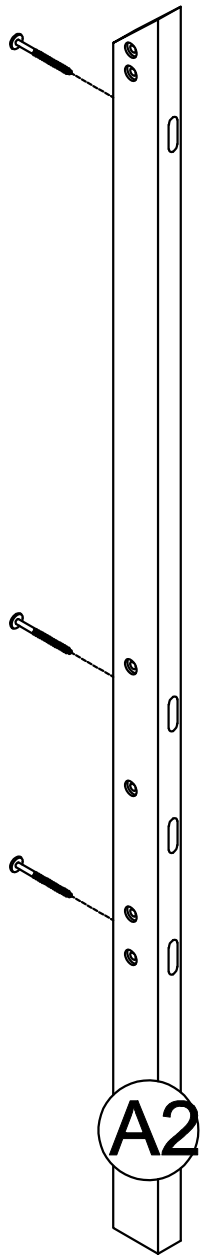
# STEP 1-1: Following below illustration:

-Using hardware #1 connect A1,A2 Legs with B1(x3),B2 Wood bars

1



6pcs



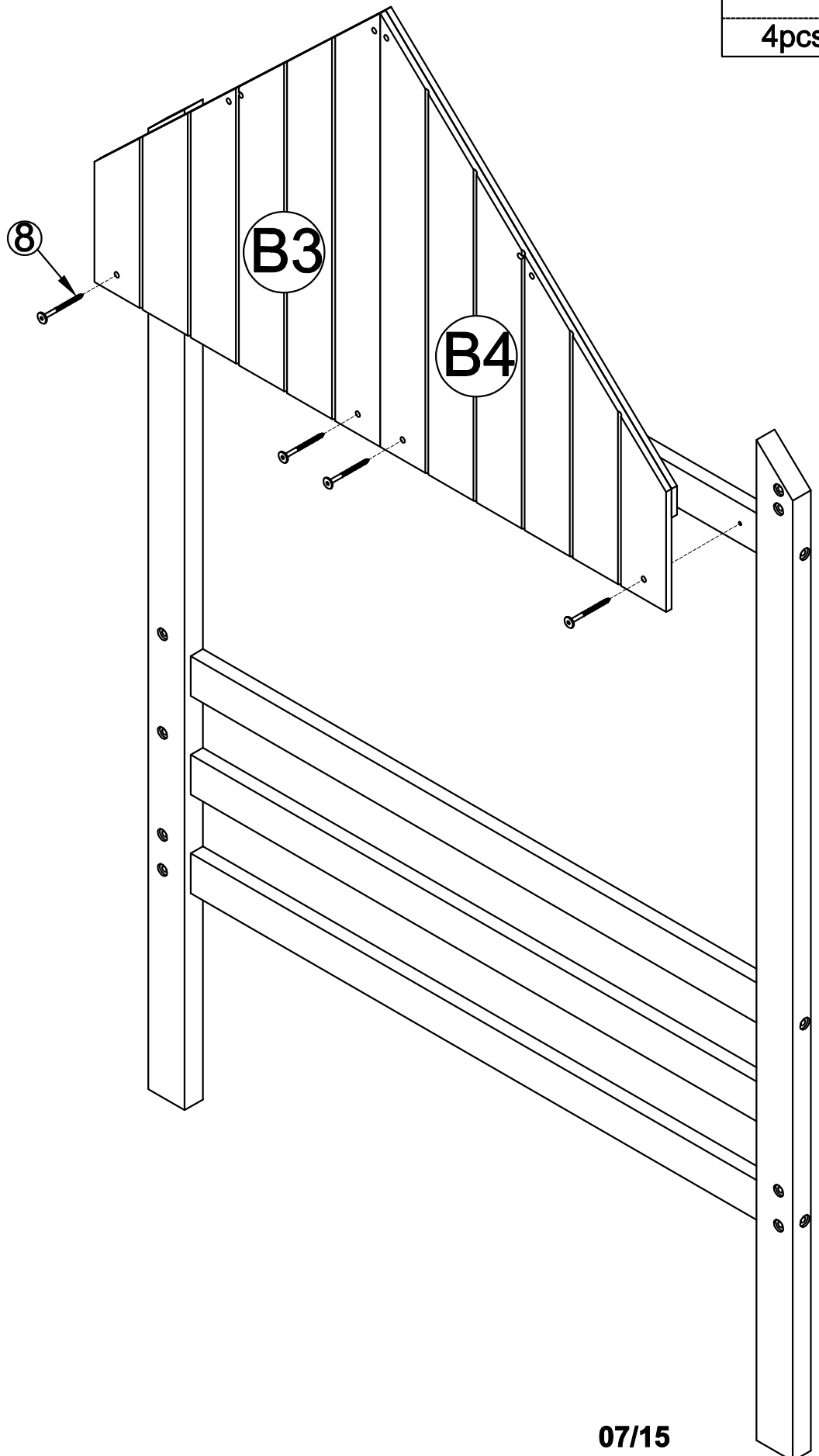
# STEP 1-2: Following below illustration:

-Using hardware #8 connect Frame (completed step 1-1) with B3,B4 Panels

8



4pcs



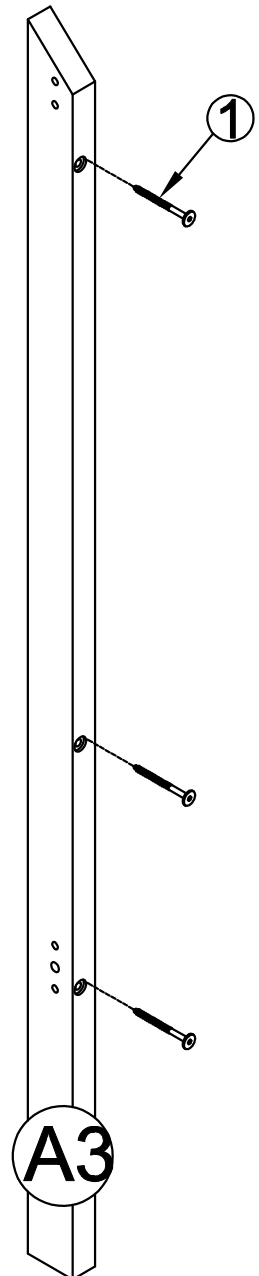
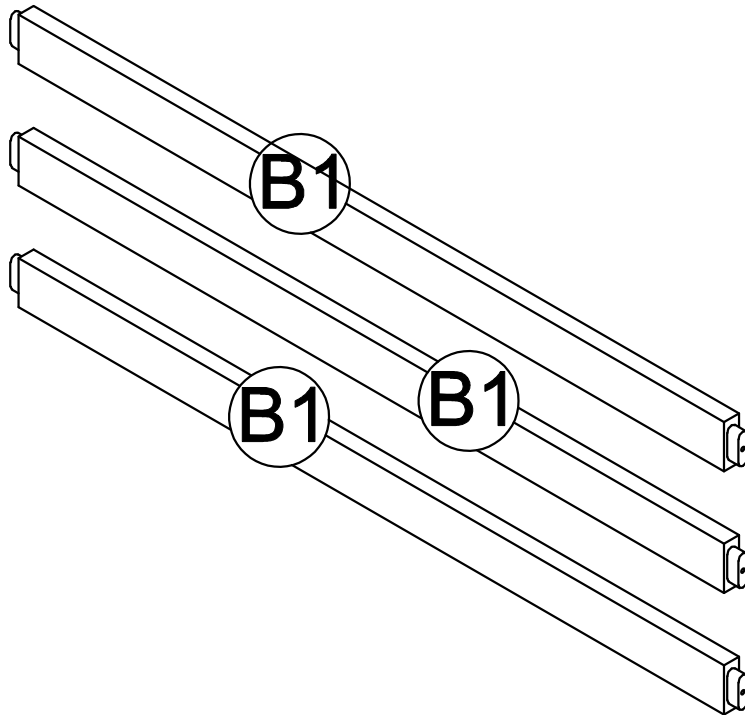
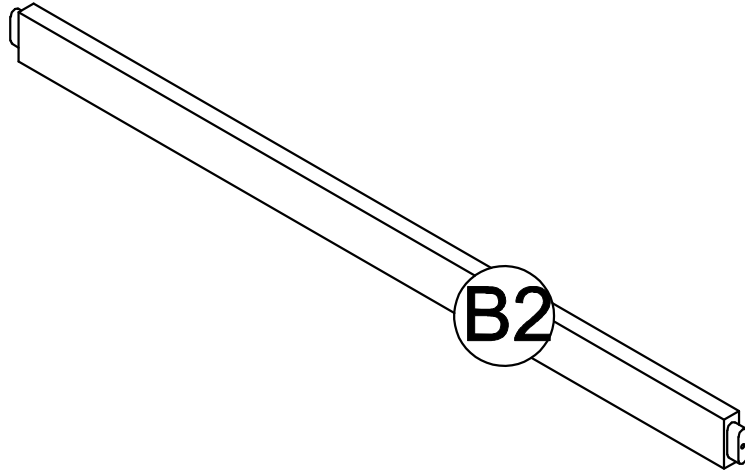
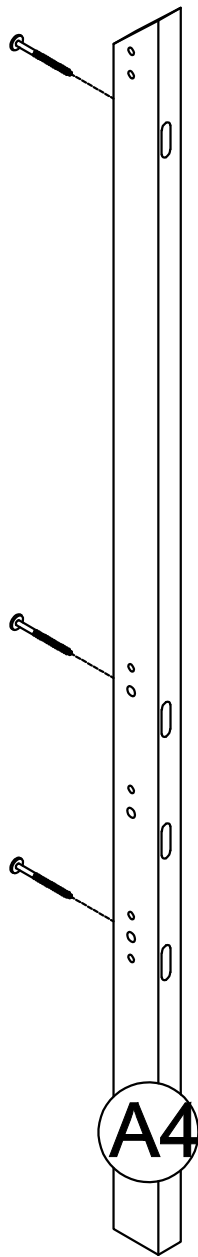
# STEP 2: Following below illustration..

-Using hardware #1 connect A3,A4 Legs with B1(x3),B2 Wood bars

1



6pcs





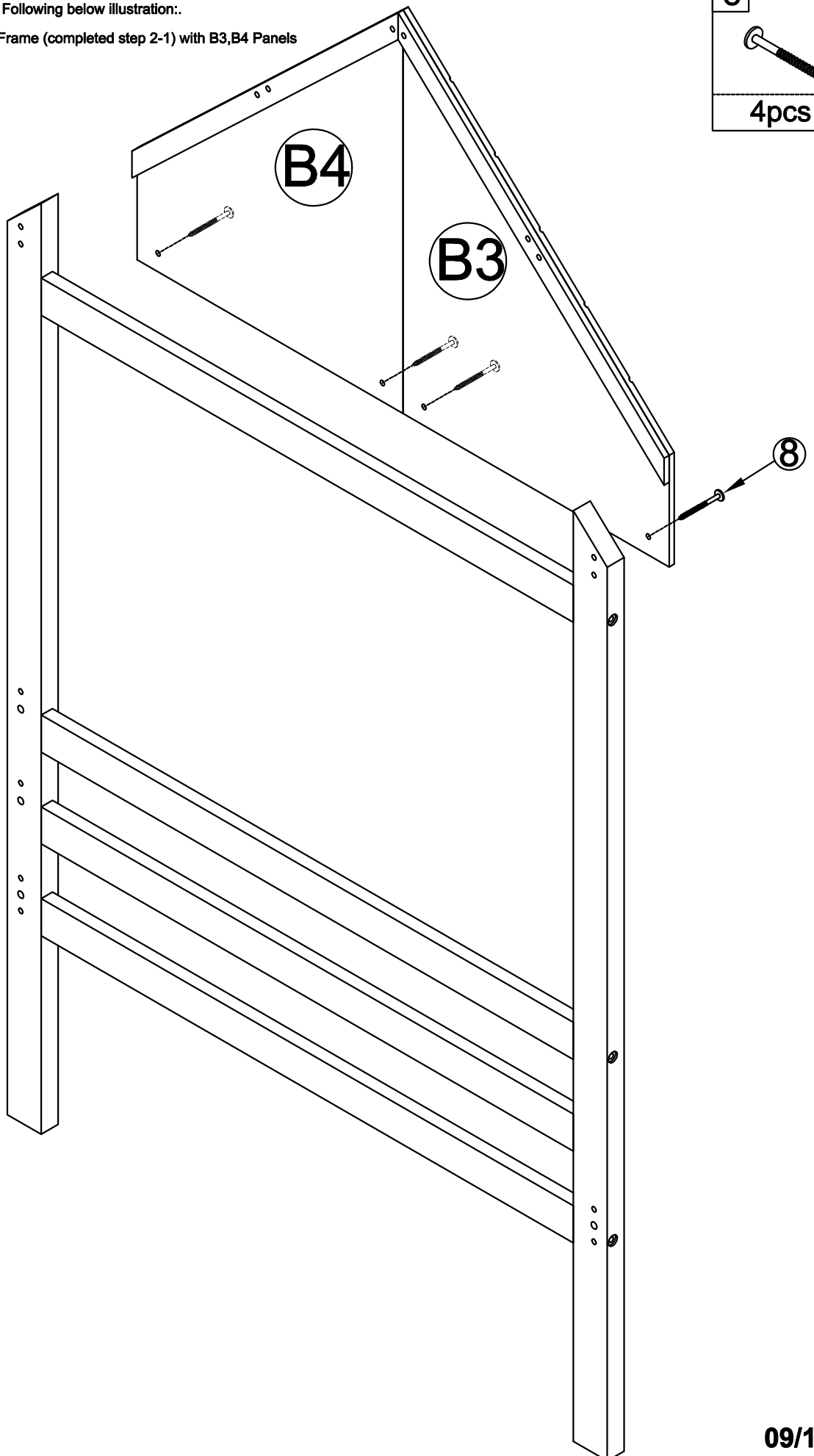
# STEP 2-2: Following below illustration:

-Using hardware #8 connect Frame (completed step 2-1) with B3,B4 Panels

8



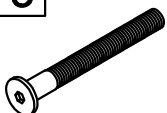
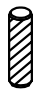


4pcs

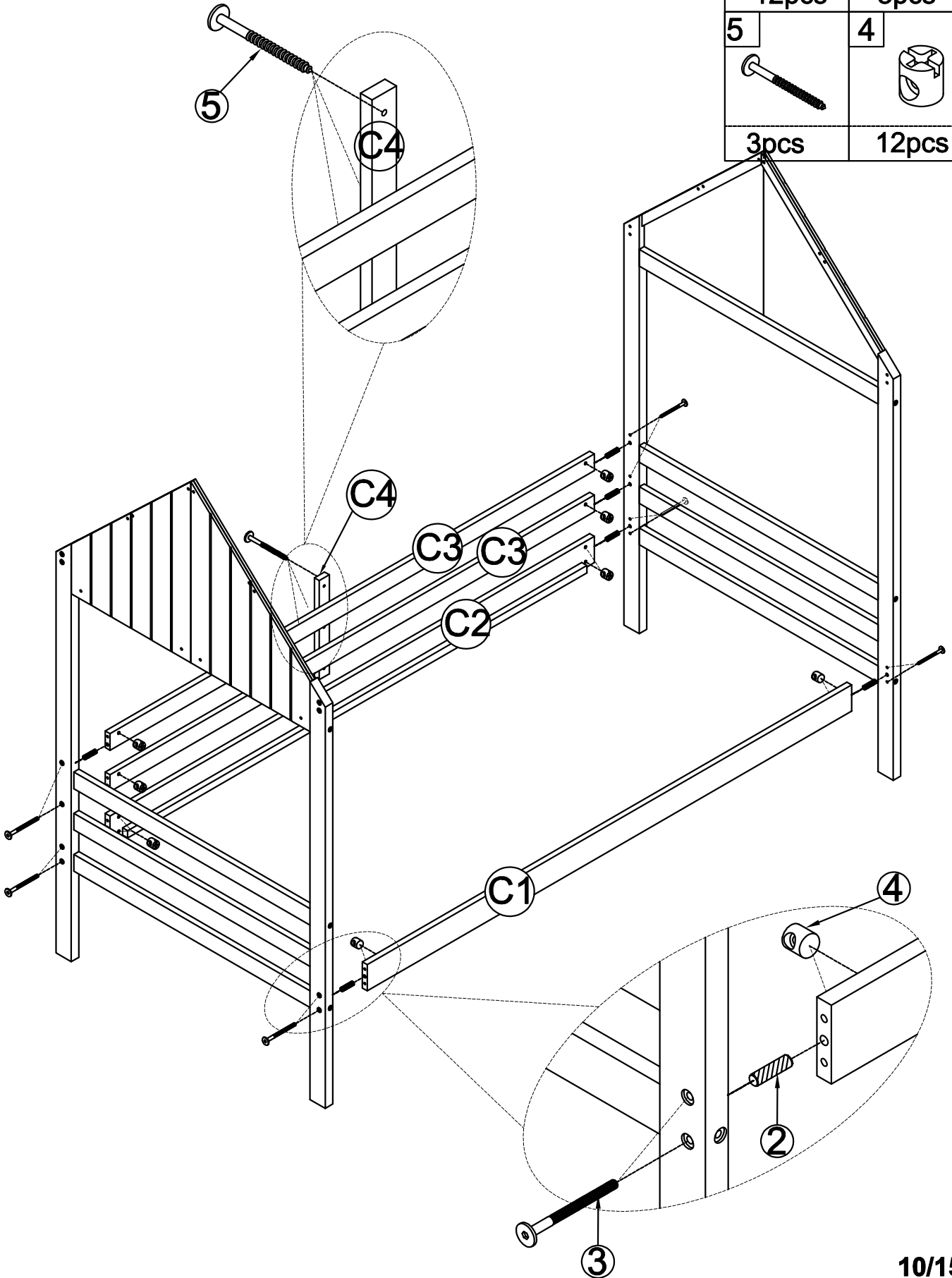


# STEP 3: Following below illustration:.

3.1:Using hardware #3,#4 and Dowel 2 connect Frames(cpmpleted on Step 1-2,Step 2-2) with C1,C2 Side rails and Guardrails C3(x2)


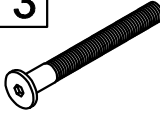
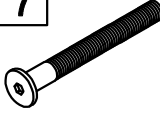
3.2:Using hardware #5 Frame(cpmpleted on Step 3.1) with C4 Rail

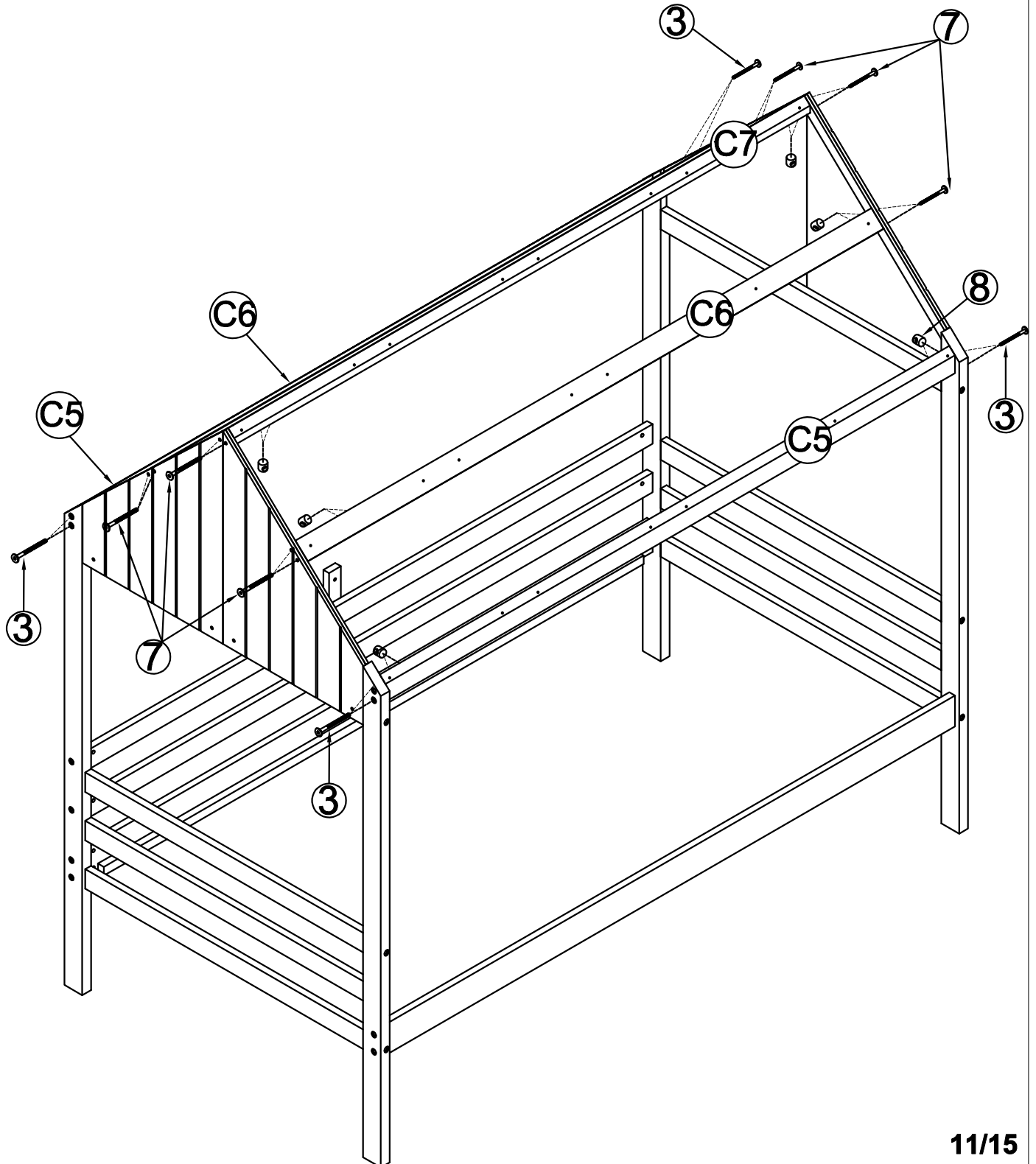
3		2	
12pcs		8pcs	
5		4	
3pcs		12pcs	



# STEP 4: Following below illustration..

3.1: Using hardware #3, #4, #7 connect Frames (completed on Step 3.2) with C5(x2), C6(x2), C7 RoofTop Bars

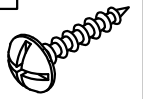
4		3	
20pcs		8pcs	
		7	
		12pcs	



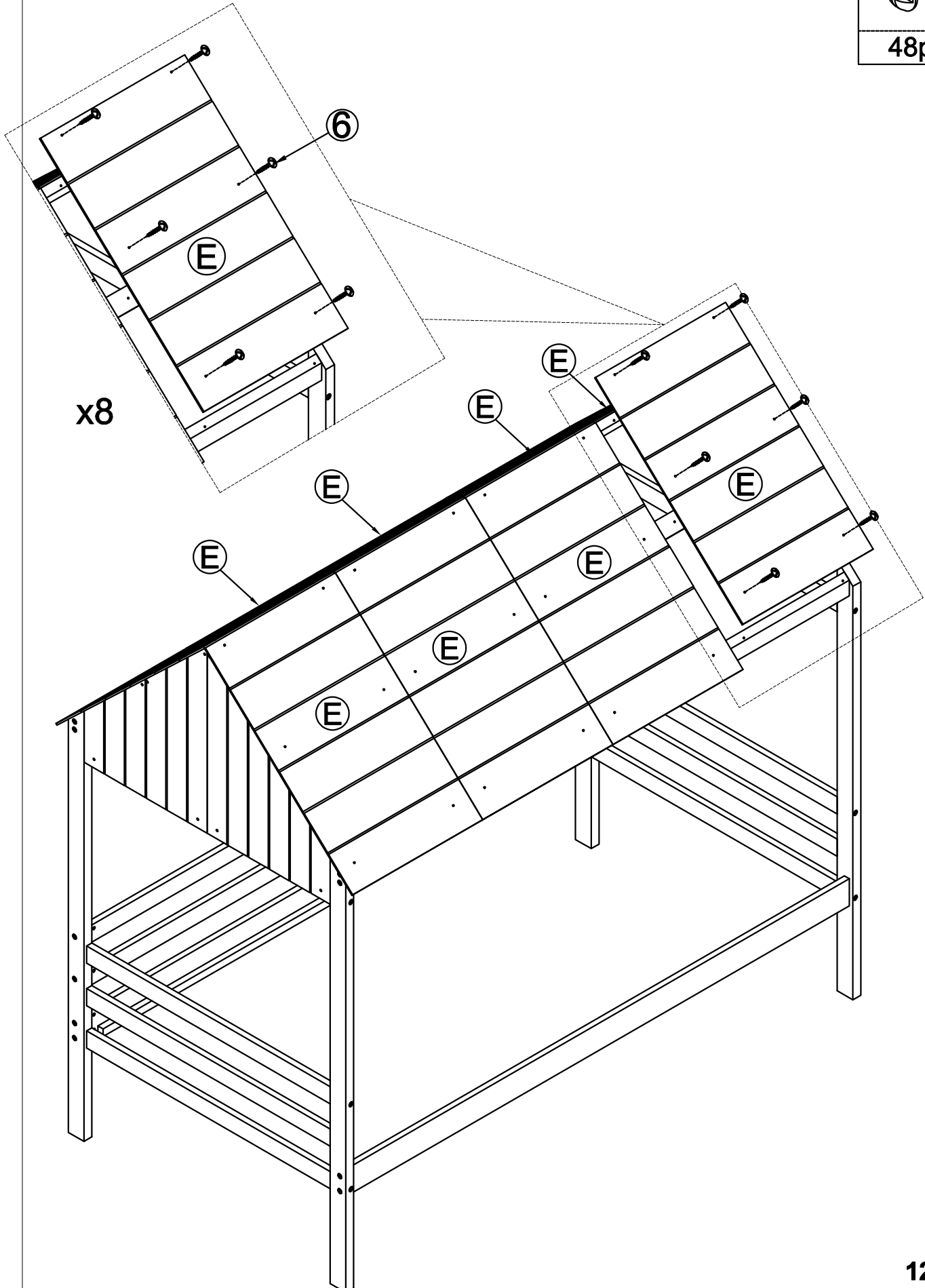
# STEP 5: Following below illustration:.

-Using hardware #6 connect Frame(cprpleted on Step 4) with E(x8) Roof Top Panels

6




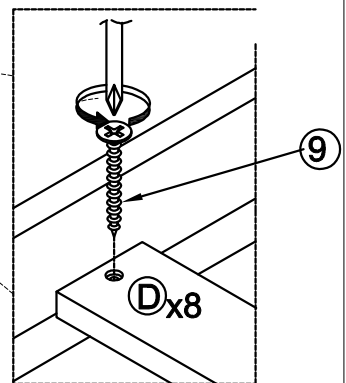
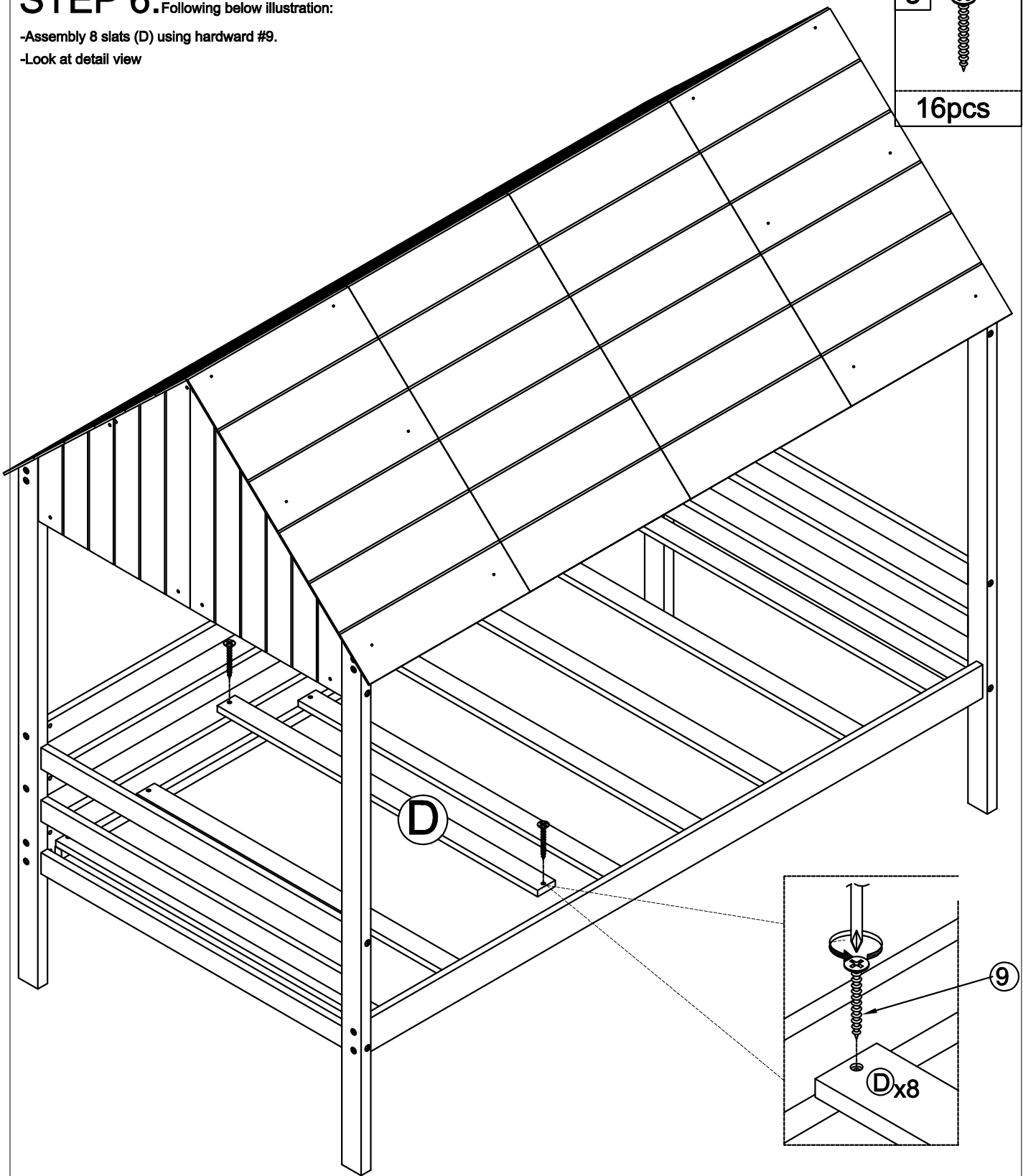
48pcs



# STEP 6: Following below illustration:


- Assembly 8 slats (D) using hardware #9.
- Look at detail view

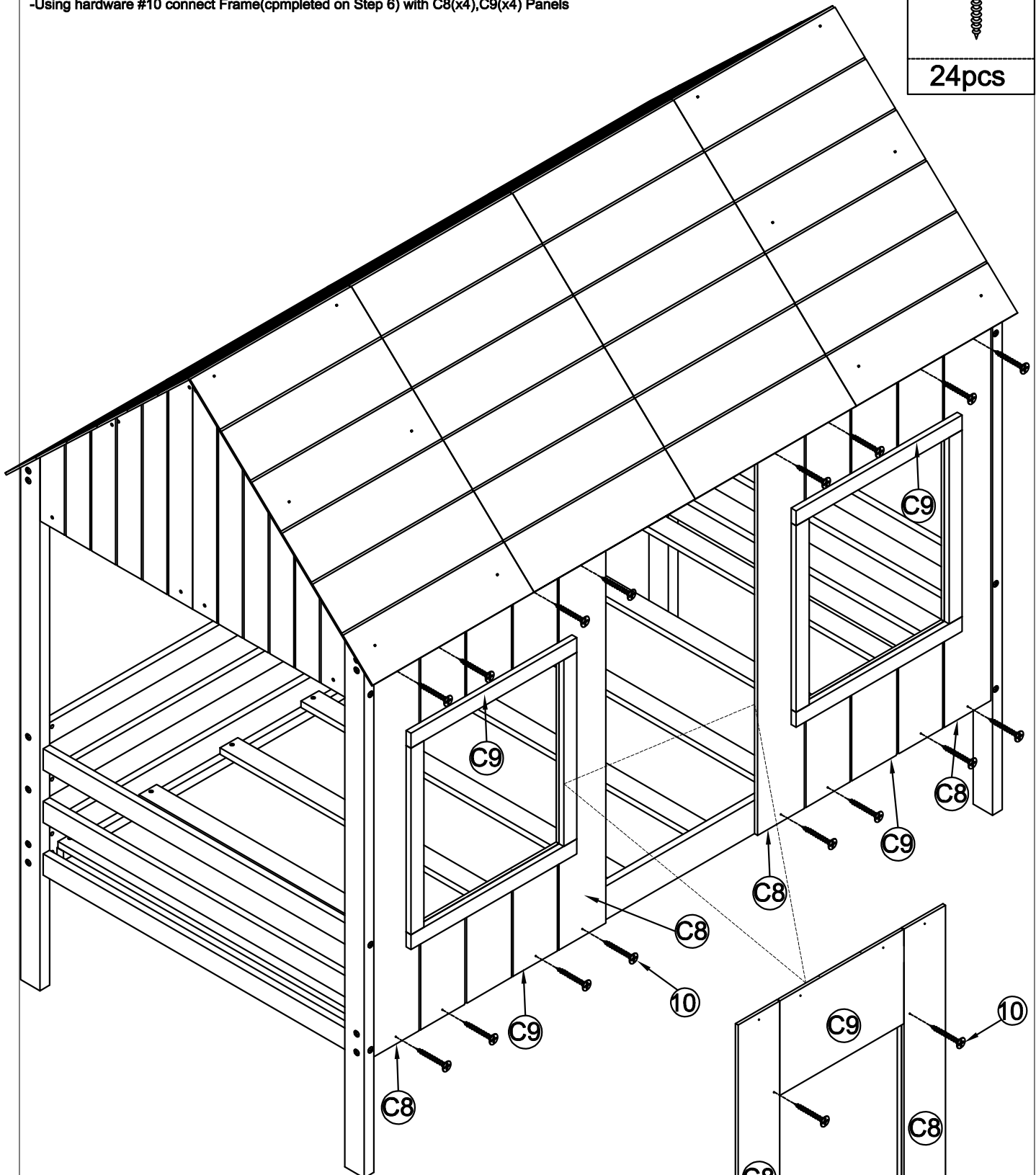
9	
16pcs	



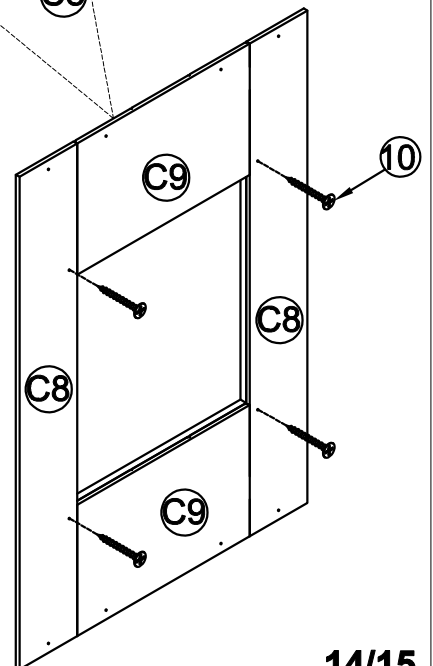
# STEP 7: Following below illustration:.

-Using hardware #10 connect Frame (completed on Step 6) with C8(x4), C9(x4) Panels

10	
24pcs	



INSIDE VIEW  
(X2)



CONGRARULATION. YOU HAVE COMPLETED THE BED.

