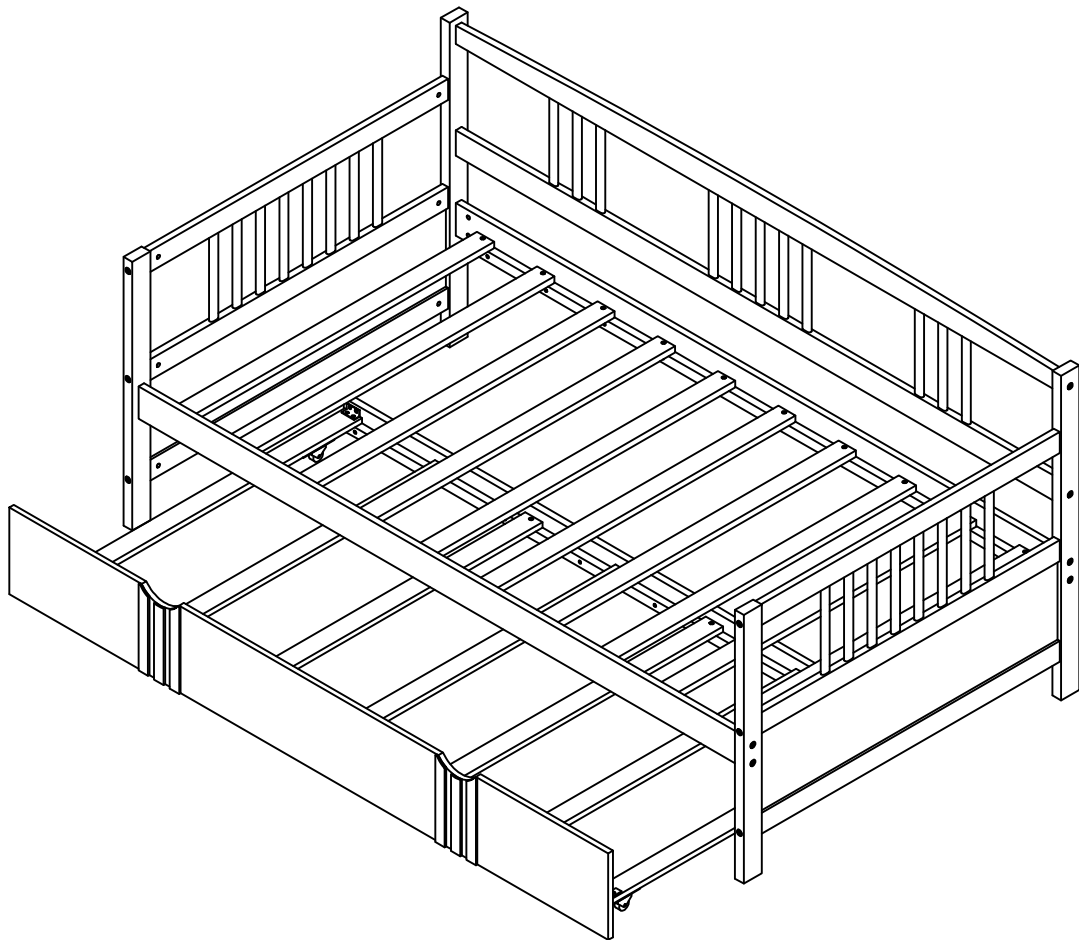


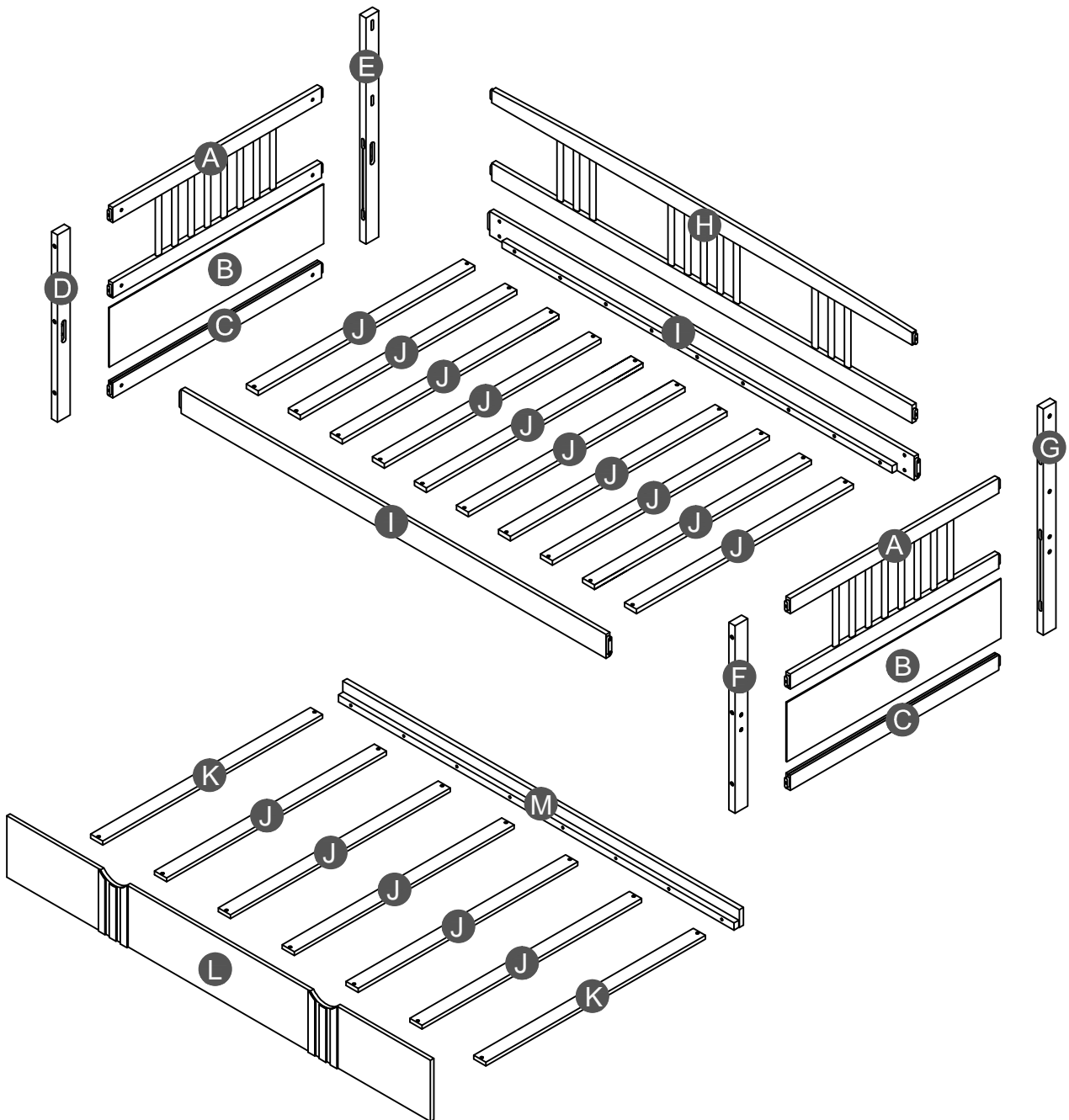
ASSEMBLY INSTRUCTIONS

TWIN DAYBED WITH TRUNDLE

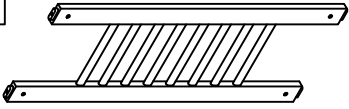
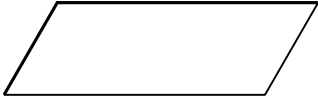
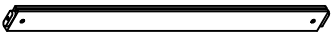

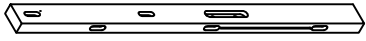
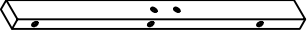
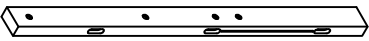
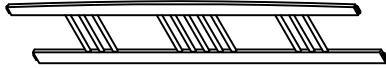

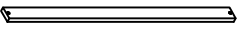
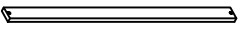
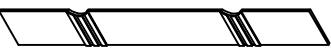



WF295030

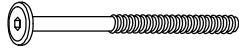
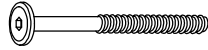

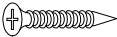

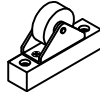
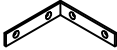
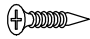

Detail View



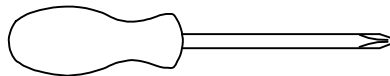
Part List

<p>A</p>  <p>Frame HB/FB - 2pcs</p>	<p>B</p>  <p>Side panel - 2pcs</p>	<p>C</p>  <p>Horizontal bar - 2pcs</p>
<p>D</p>  <p>Leg left (Front) - 1pc</p>	<p>E</p>  <p>Leg left (Back) - 1pc</p>	<p>F</p>  <p>Leg right (Front) - 1pc</p>
<p>G</p>  <p>Leg right (Back) - 1pc</p>	<p>H</p>  <p>Long guard rail - 1pc</p>	<p>I</p>  <p>Side rail - 2pcs</p>
<p>J</p>  <p>Slats - 15pcs</p>	<p>K</p>  <p>Slats - 2pcs</p>	<p>L</p>  <p>Front panel side rail of trundle - 1pc</p>
<p>M</p>  <p>Back panel side rail of trundle - 1pc</p>		

Hardware List

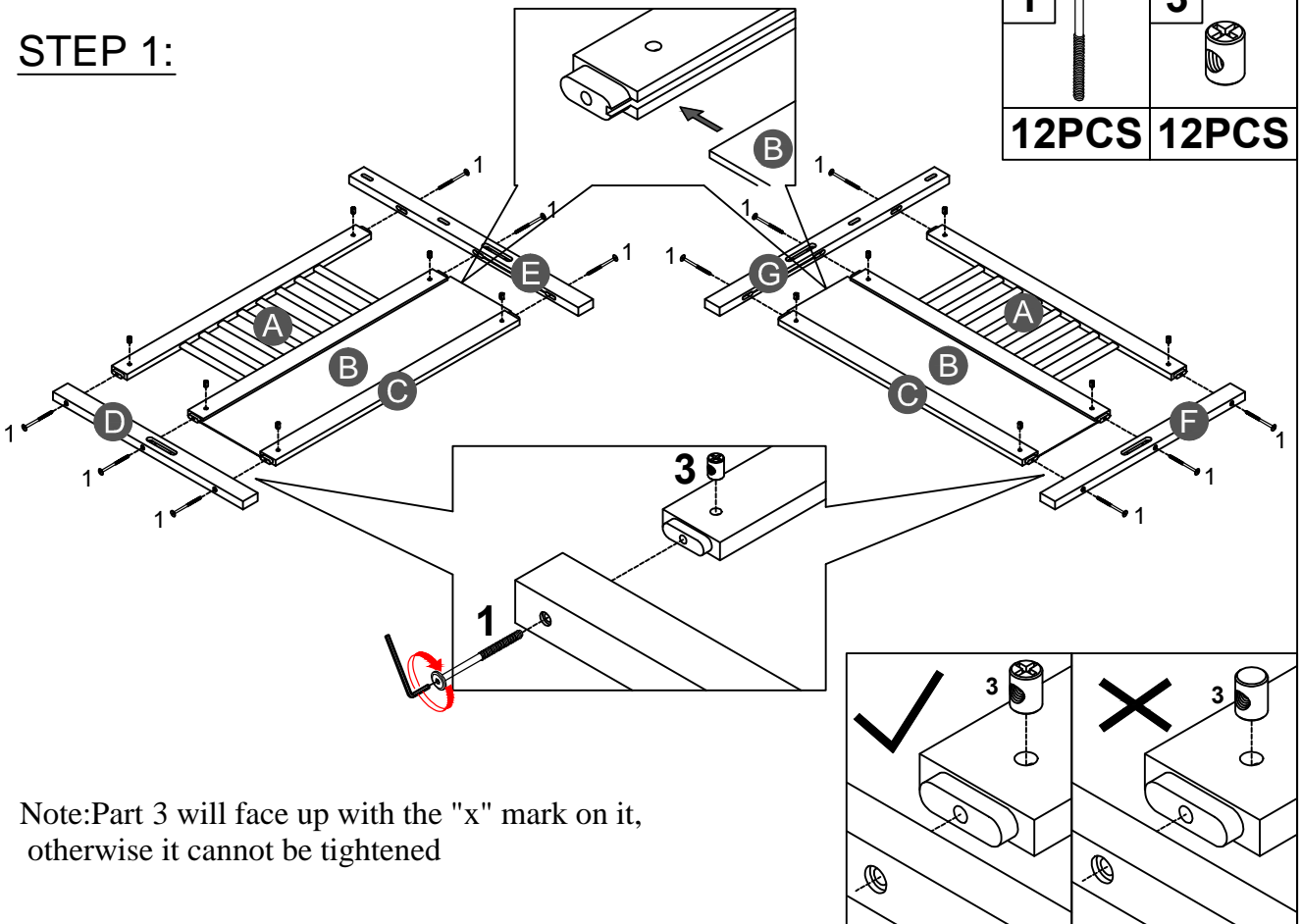
1  (Ø15)1/4"*100mm Hex-Head bolts (12pcs)	2  (Ø15)1/4"*80mm Hex-Head bolts (12pcs)	3  1/4"*15 (9.5mm) Horizontal-Hole bolts(24pcs)
4  Ø4*30mm Wood screws (42pcs)	5  (1/4")4.5*58mm Allen key (1pc)	6  100*63*20mm Wheels (4pcs)
7  95*95*18*3mm Metal bracket (2pcs)	8  Ø3.5*12 mm Wood screws (16pcs)	9  40*18*18*2mm Metal bracket (2pcs)

ASSEMBLY TOOLS REQUIRED (NOT INCLUDED)

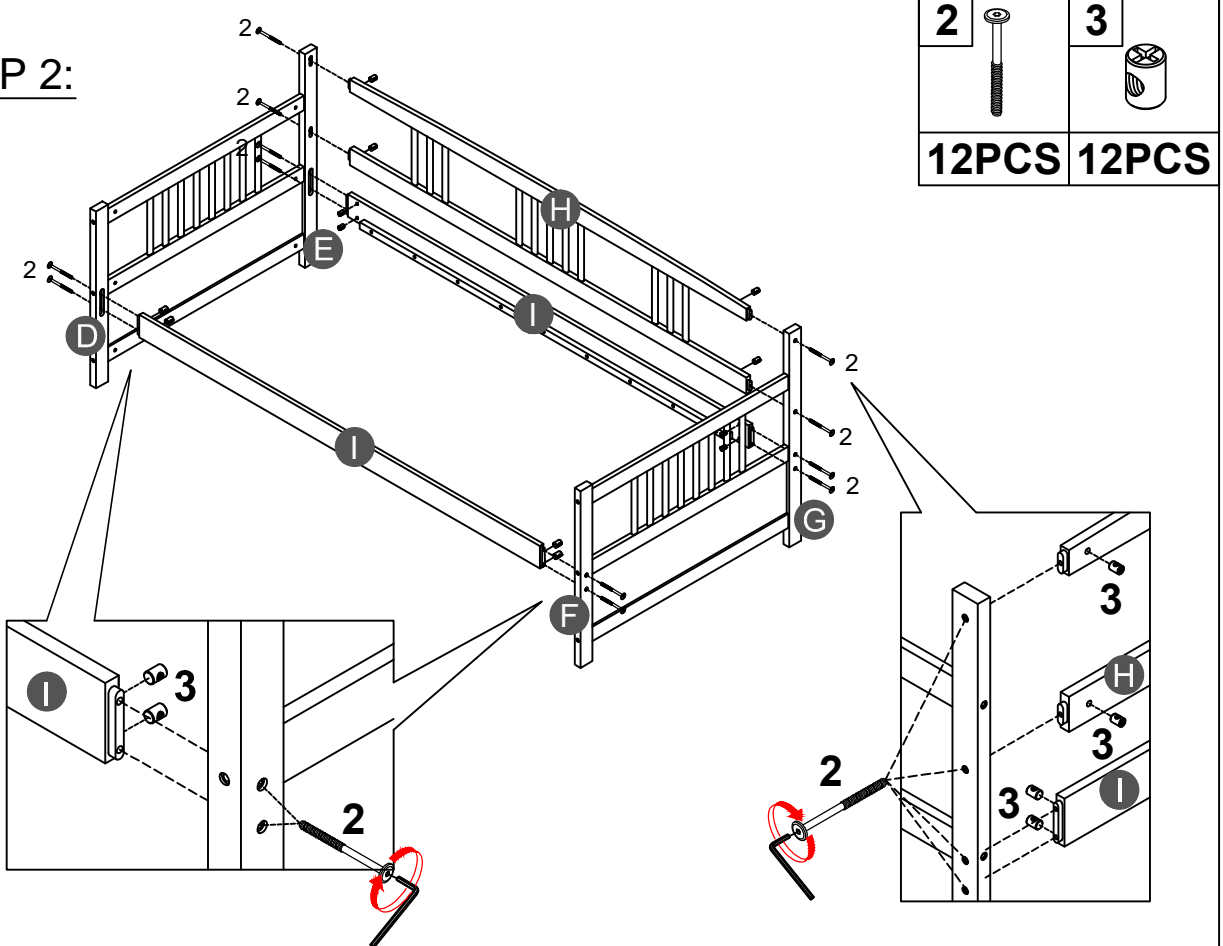


PLEASE BE CAREFUL DO NOT DAMAGE THE HOLE POSITION WHEN YOU USE POWER TOOLS !

STEP 1:



STEP 2:

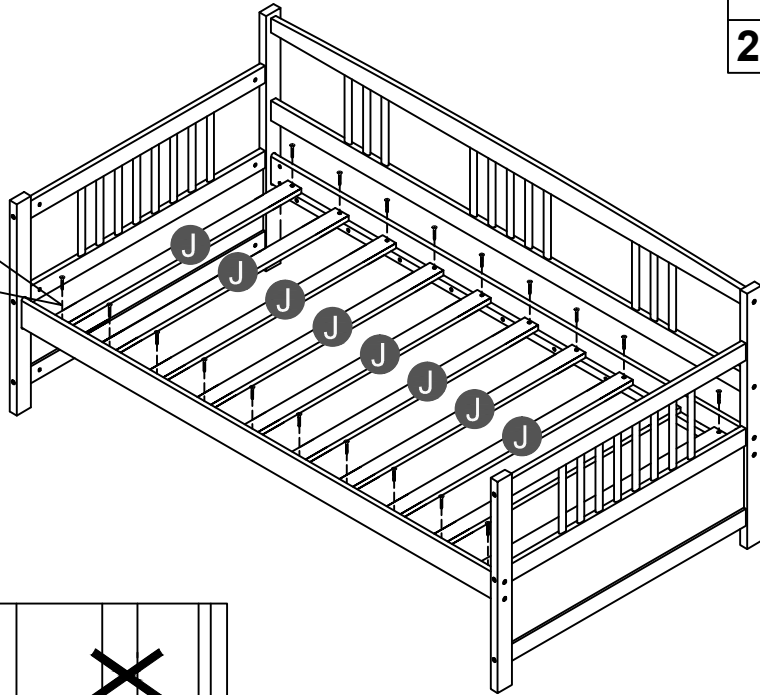
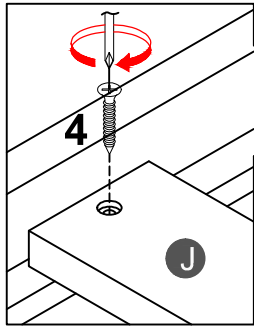


STEP 3:

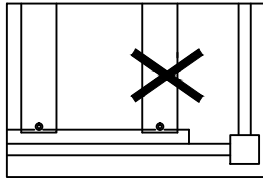
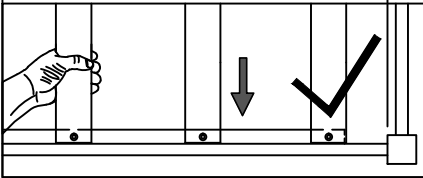
4



20PCS



5.4" 5.4" 2.7"
138mm 138mm 69mm



Note: Do not lock the screws of the bed slats to the outermost edge of the bed slats, you need to leave a certain space at the edges, otherwise it will cause the board to break. Do not lock the bed slats on the edge of the wood, please hold firmly before screwing, hold it in place with one hand, then lock the screw.

STEP 4:

4

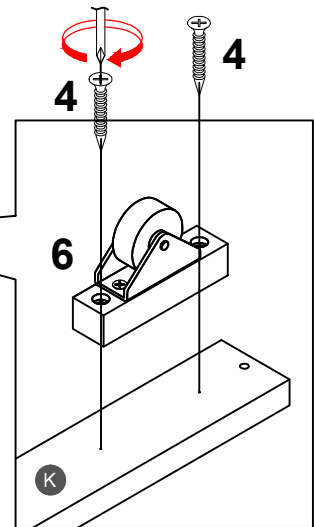
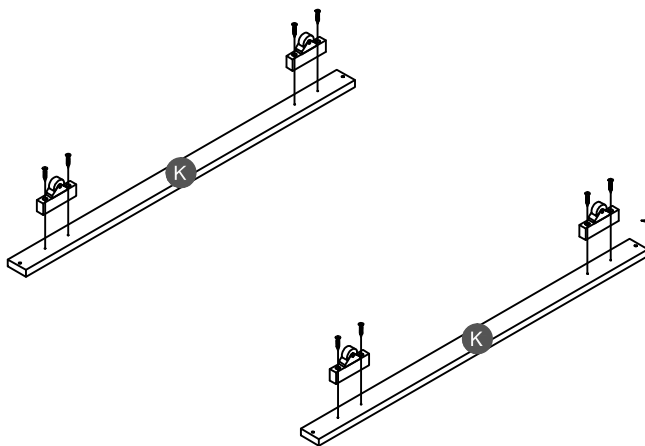


8PCS

6



4PCS

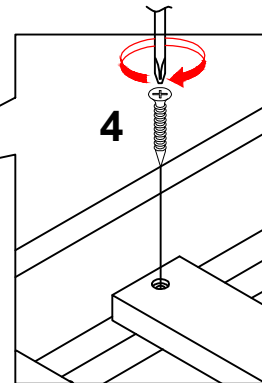
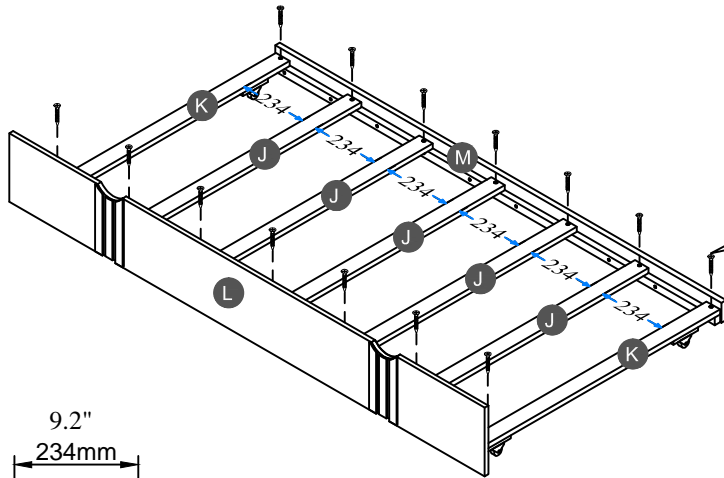


STEP 5:

4

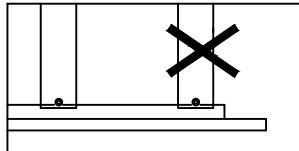
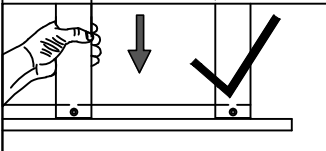


14PCS



4

9.2"
234mm



Note: Do not lock the screws of the bed slats to the outermost edge of the bed slats, you need to leave a certain space at the edges, otherwise it will cause the board to break.

Do not lock the bed slats on the edge of the wood, please hold firmly before screwing, hold it in place with one hand, then lock the screw.

STEP 6:

7

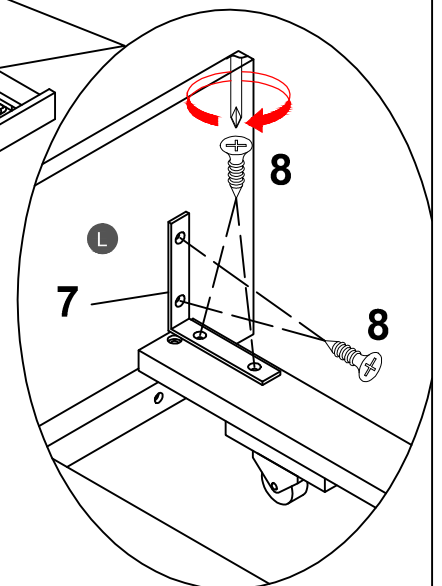
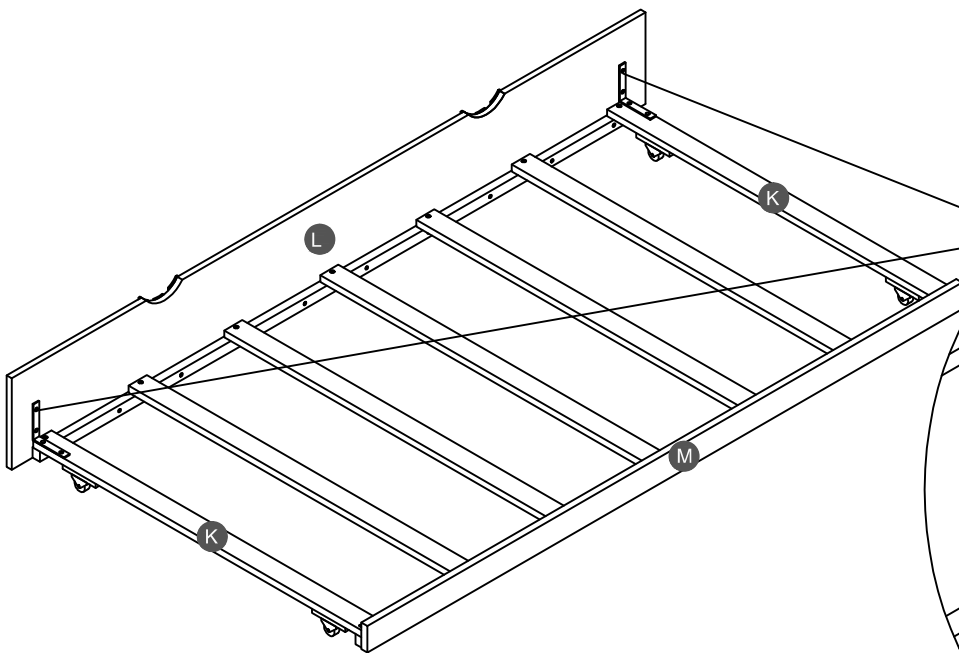


2PCS

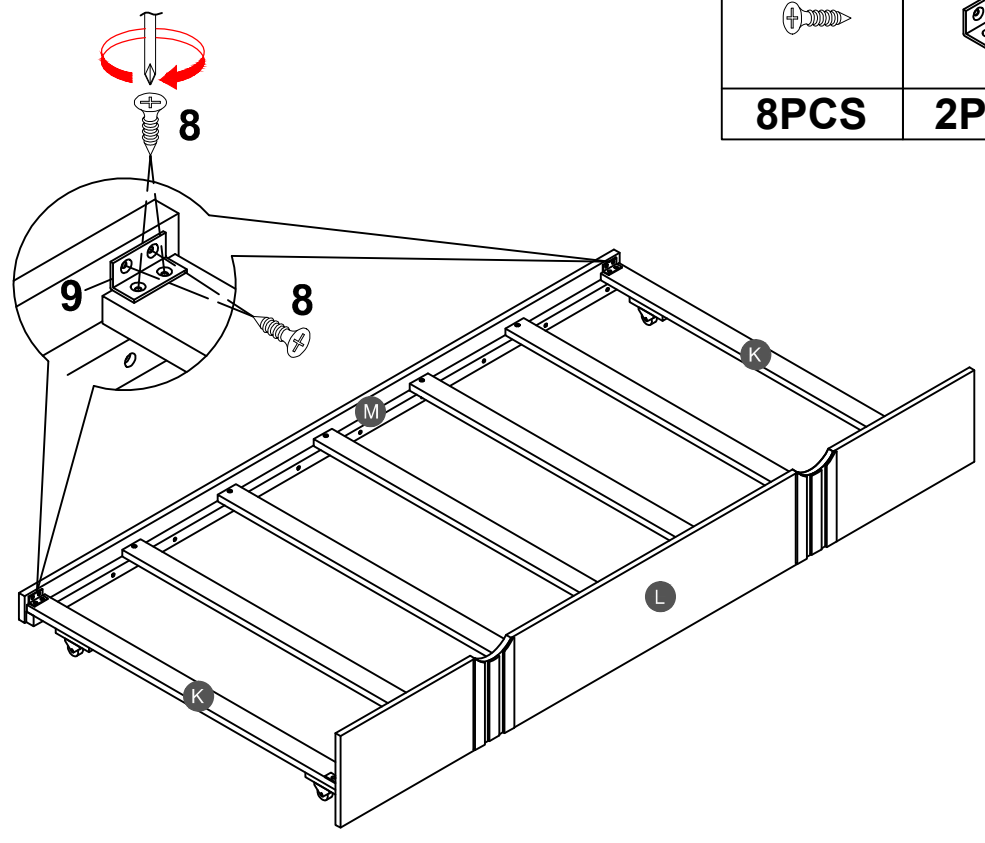
8

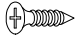
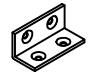


8PCS

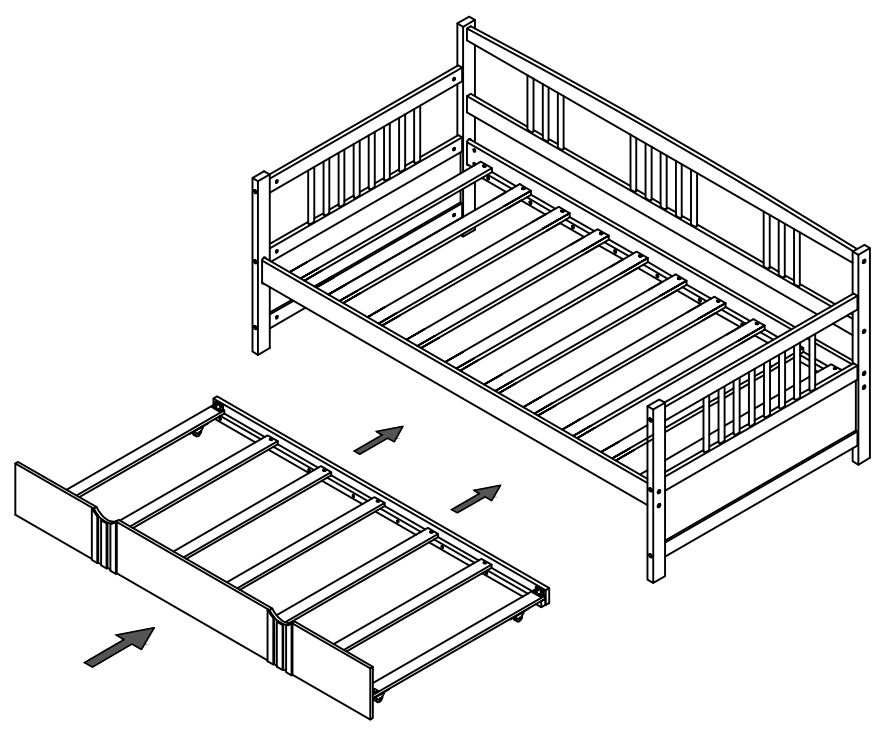


STEP 7:



8	9
	
8PCS	2PCS

STEP 8:



Push Trundle under the bottom of Bunkbed.