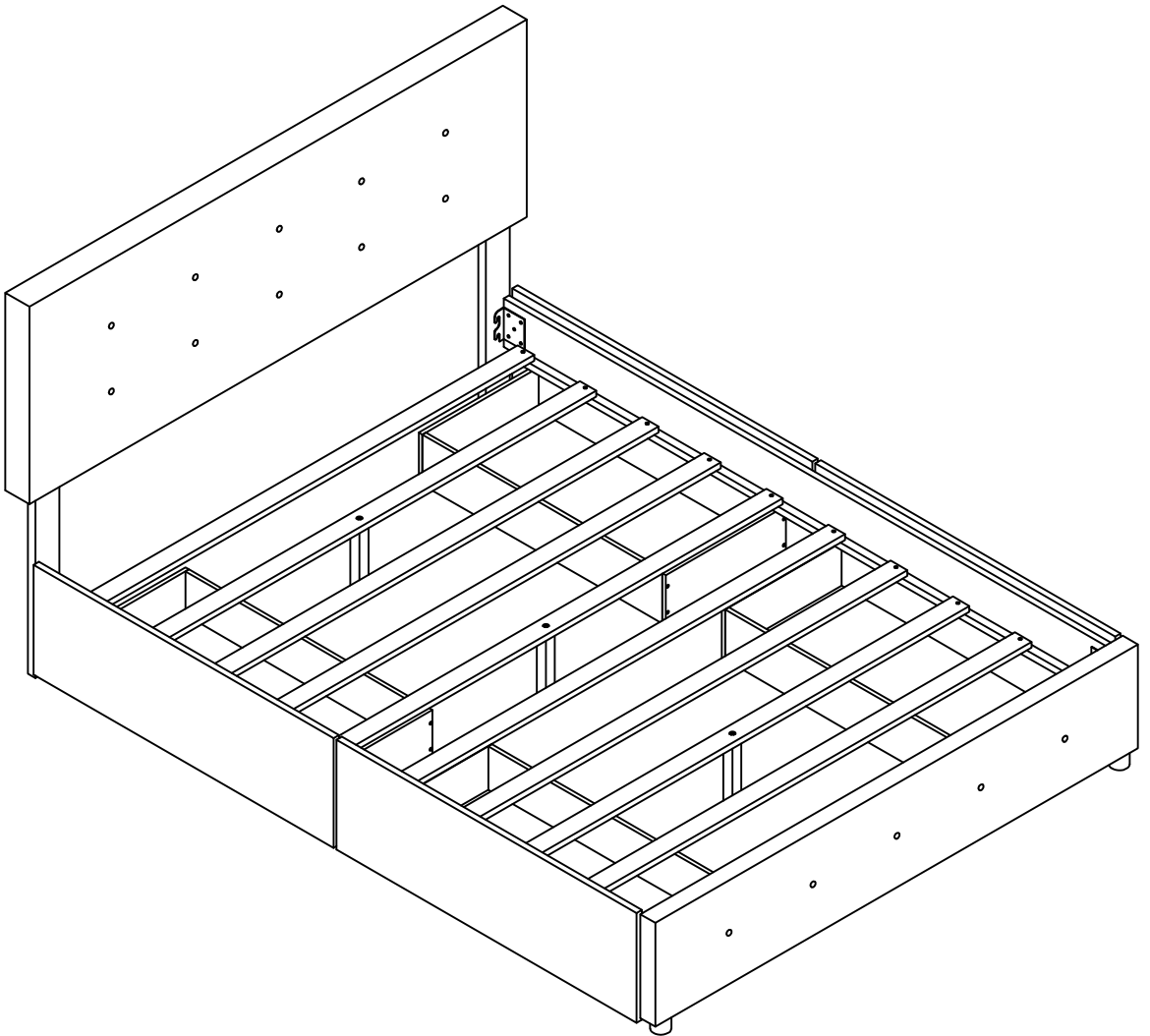
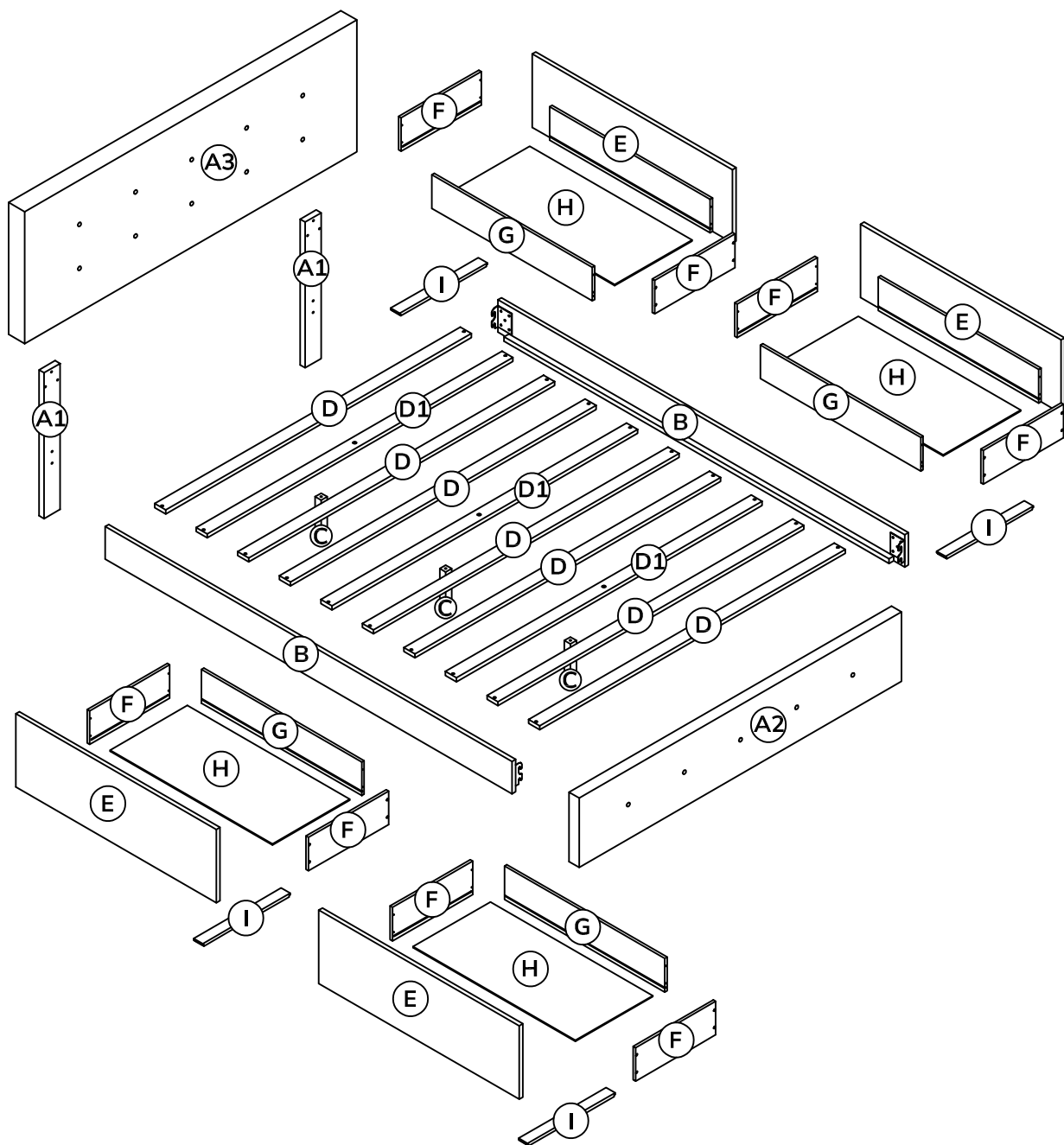


ASSEMBLY INSTRUCTION


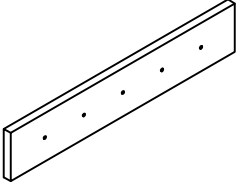
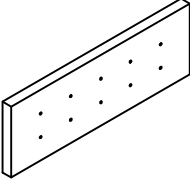
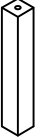
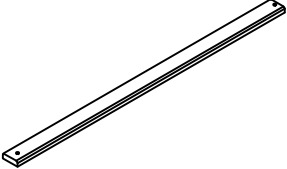
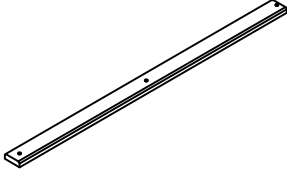
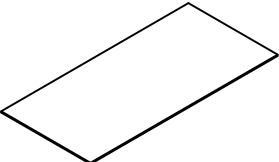
SKU CODE: (WF294905-WF294906)




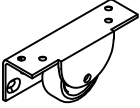





ASSEMBLY INSTRUCTION



Part List (WF294905)

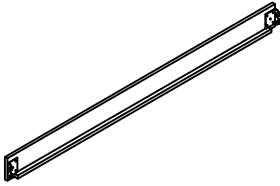
<p>A1</p>  <p>Leg (HB Font) - 2pcs</p>	<p>A2</p>  <p>FB Frames - 1pcs</p>	<p>A3</p>  <p>HB Frames - 1pcs</p>
<p>C</p>  <p>Support Leg - 3pcs</p>	<p>D</p>  <p>Slats - 7pcs</p>	<p>D1</p>  <p>Slats Mount Leg- 3pcs</p>
<p>H</p>  <p>Drawers - Bottom Panel - 4pcs</p>		

Hardware List (WF294905)

<p>1</p>  <p>Plastic Feet(50x40) 2pcs</p>	<p>2</p>  <p>Wheels 16pcs</p>	<p>3</p>  <p>M4 x 15 mm Wood Screws 40pcs</p>
<p>4</p>  <p>M4 x 30 mm Wood Screws 52pcs</p>	<p>5</p>  <p>1/4" x25 mm Hex-Head bolts 11pcs</p>	<p>6</p>  <p>1/4" x40 mm Hex-Head bolts 6pcs</p>
<p>7</p>  <p>Allen Key 1pc</p>		

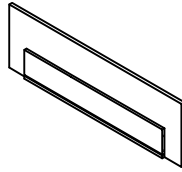
Part List (WF294906)

B



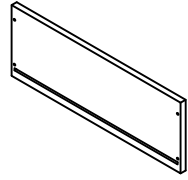
Side Rails - 2pcs

E



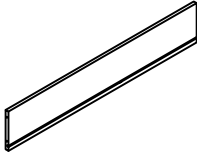
Drawers - Front Panels - 4pcs

F



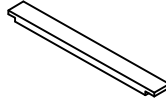
Drawers - Side Panels - 8pcs

G

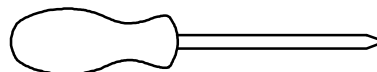


Drawers - Back Panel - 4pcs

I

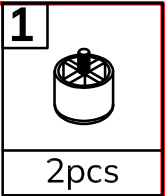
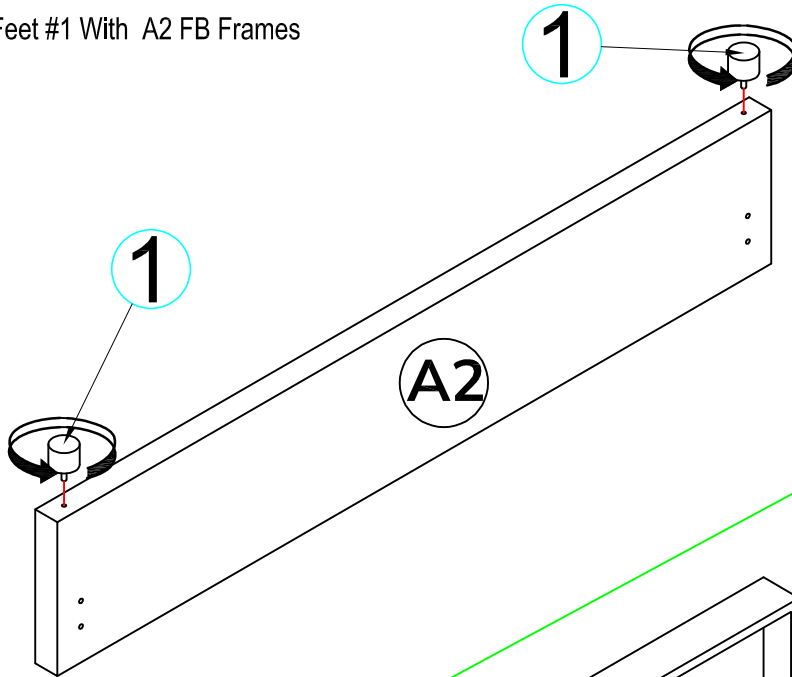


Drawers - Support Bottom - 4pcs

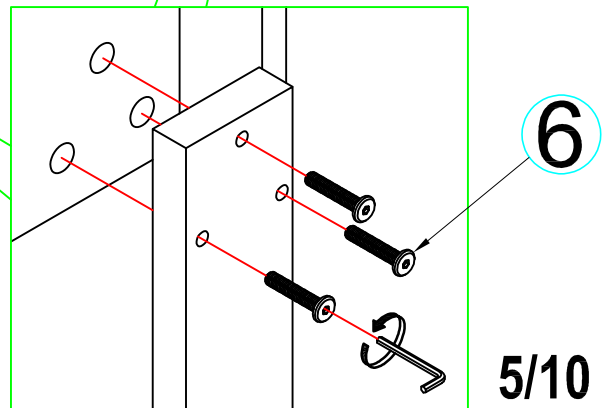
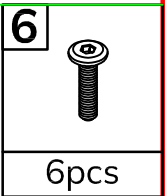
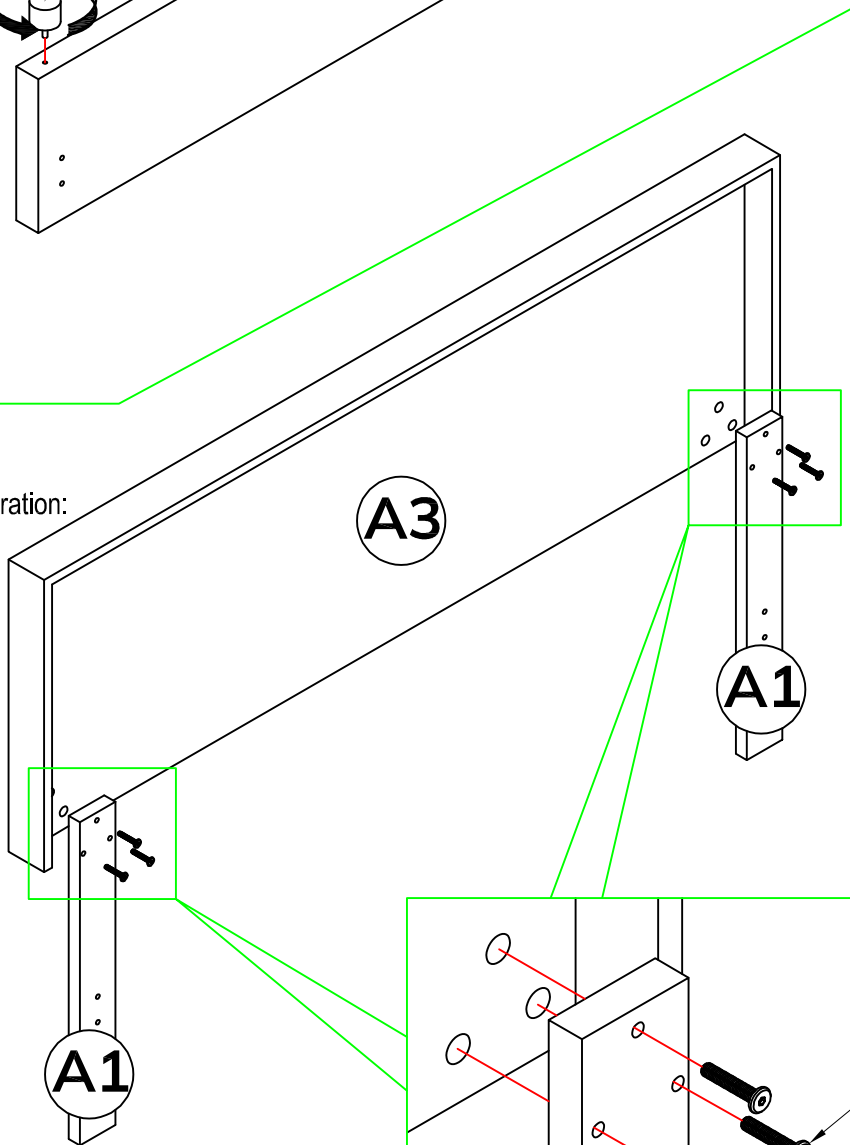


Assembly Tools Required (Not Included)


STEP 1: Following below illustration:
Assembly Plastic Feet #1 With A2 FB Frames

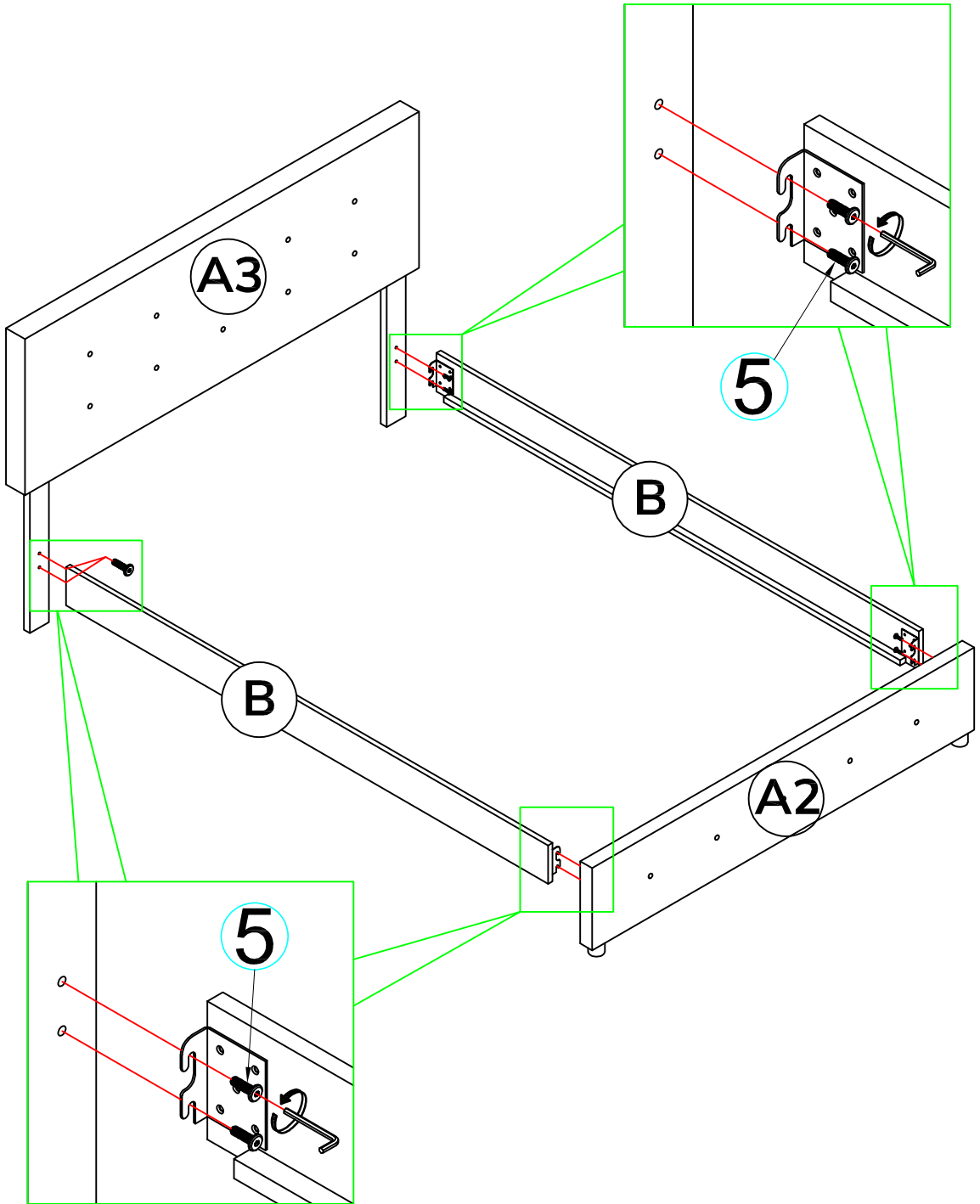


STEP 1-1:
Following below illustration:

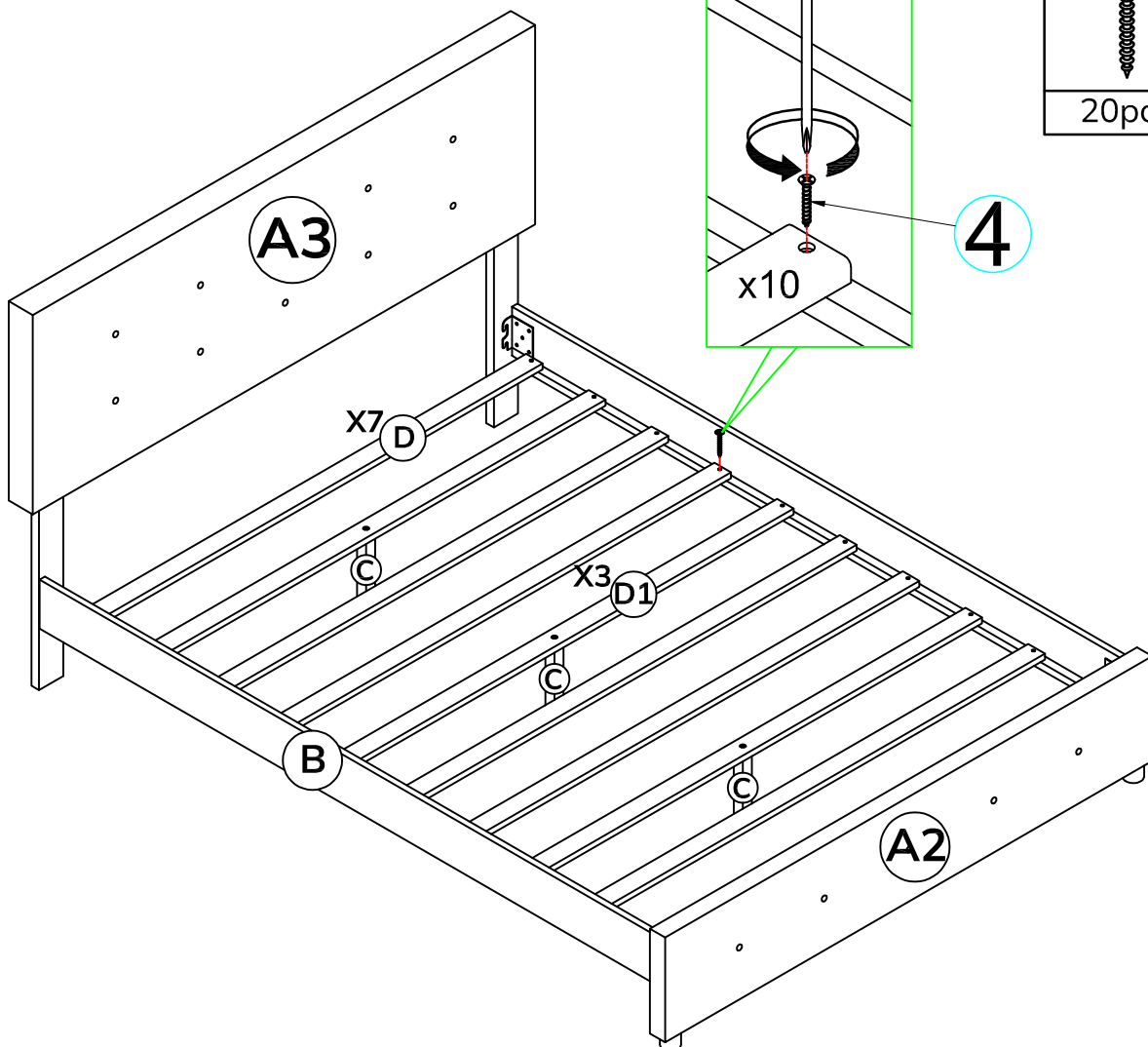
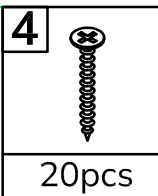
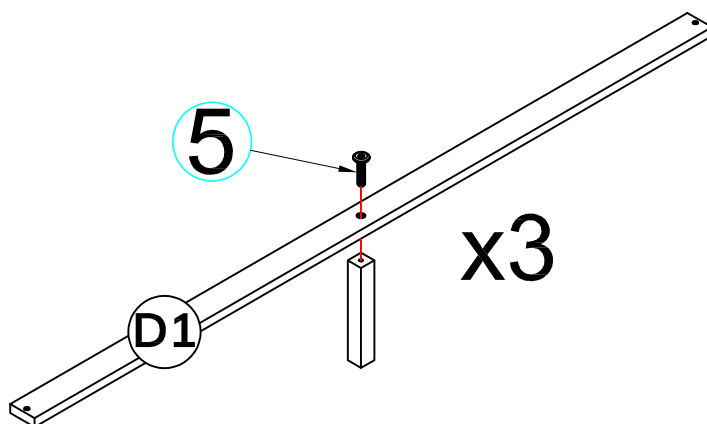
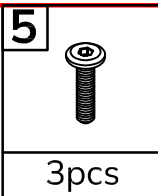


STEP 2: Following below illustration:


5	
8pcs	

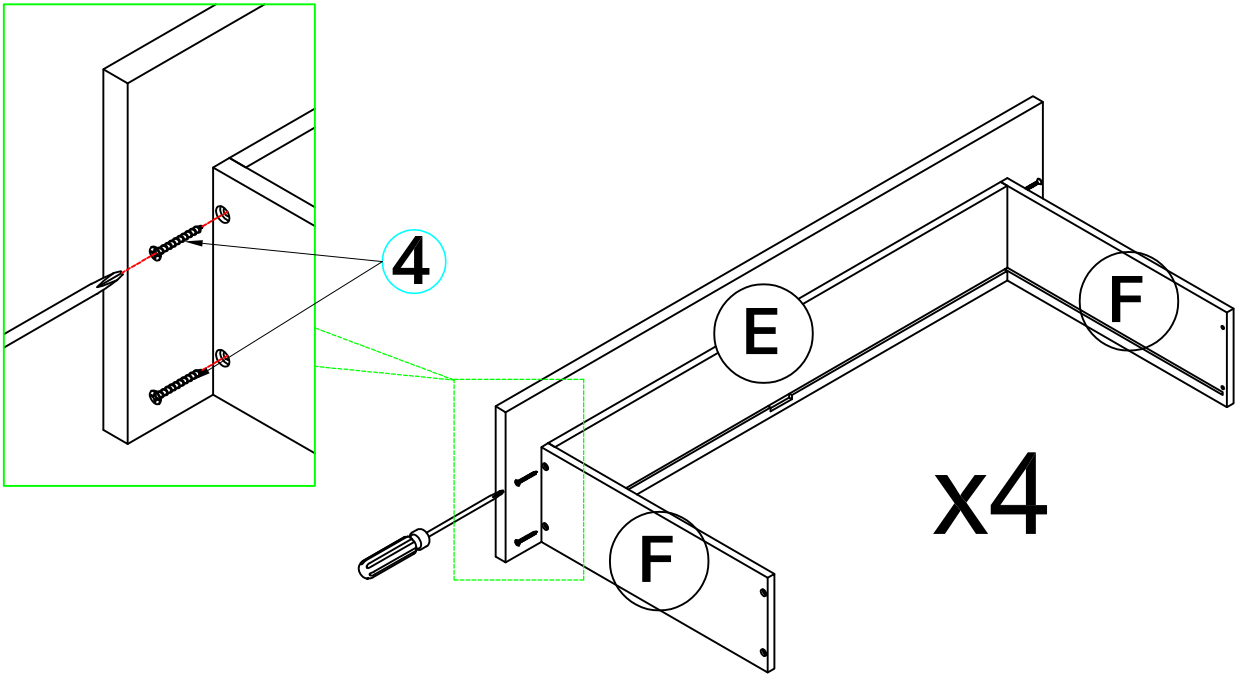


STEP 3: Following below illustration:

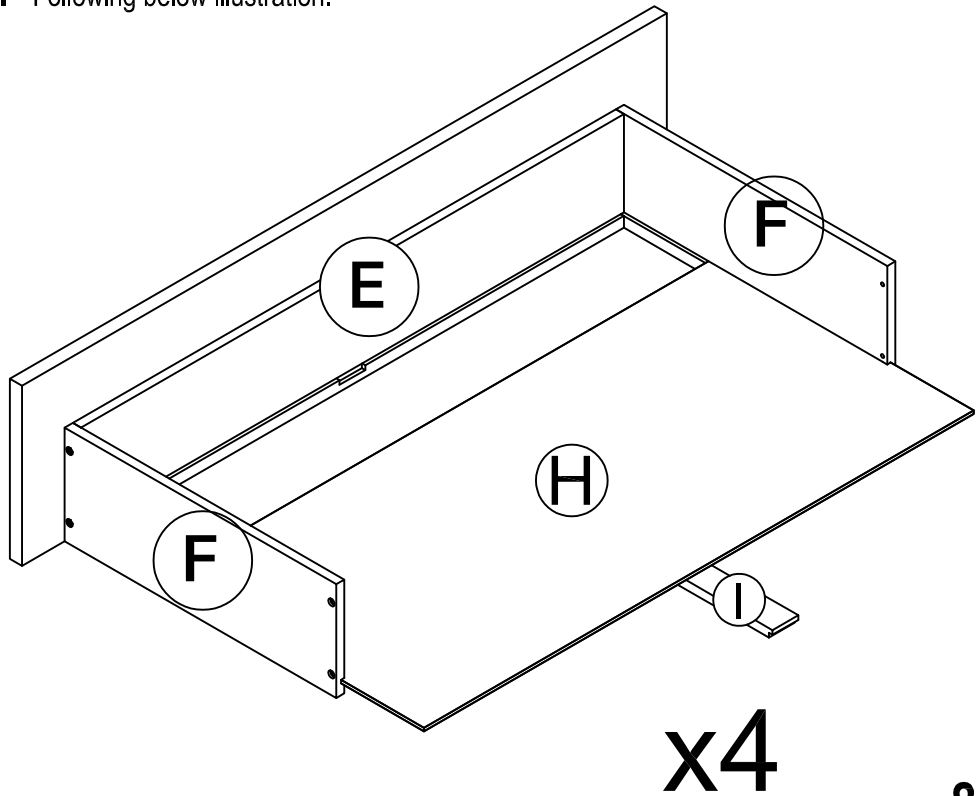


STEP 4: Following below illustration:


4	
16pcs	



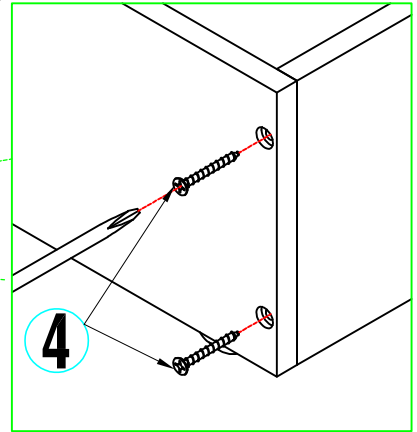
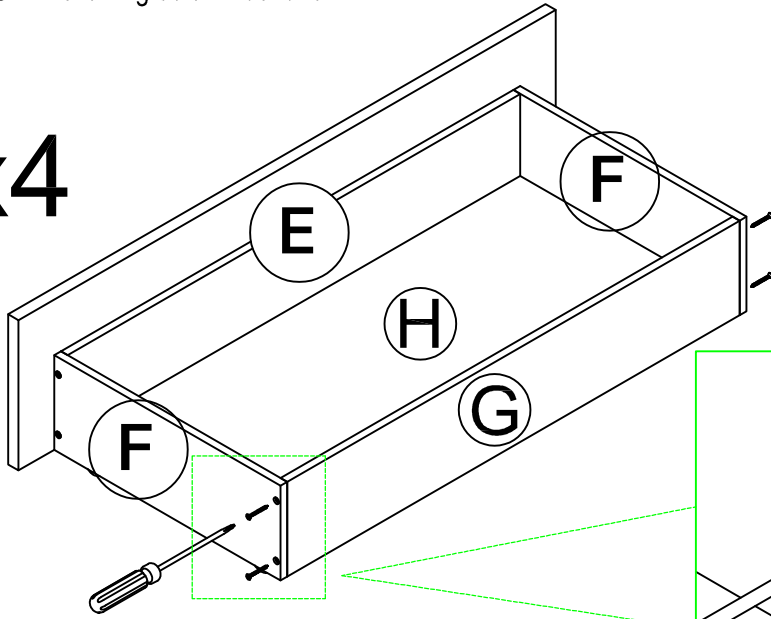
STEP 4-1: Following below illustration:



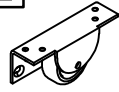

STEP 5: Following below illustration:

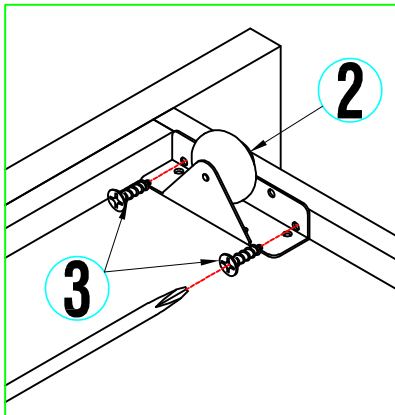
4	
16pcs	

x4

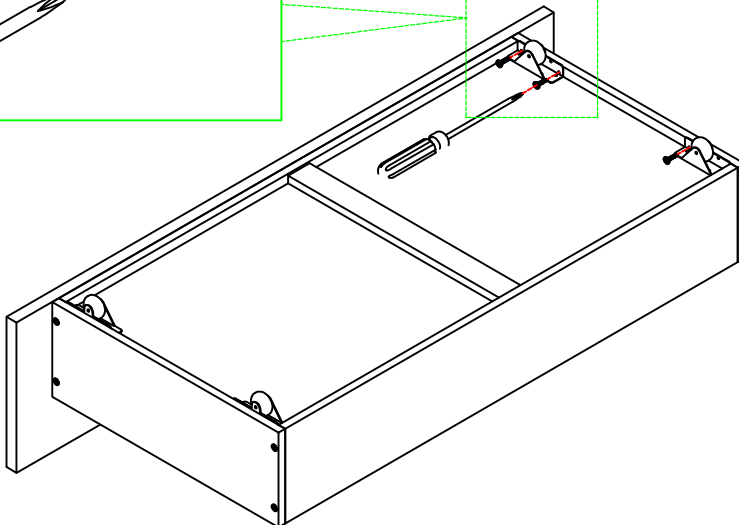


STEP 5-1: Following below illustration:

2		3	
16pcs		32pcs	



x4



FINISH

