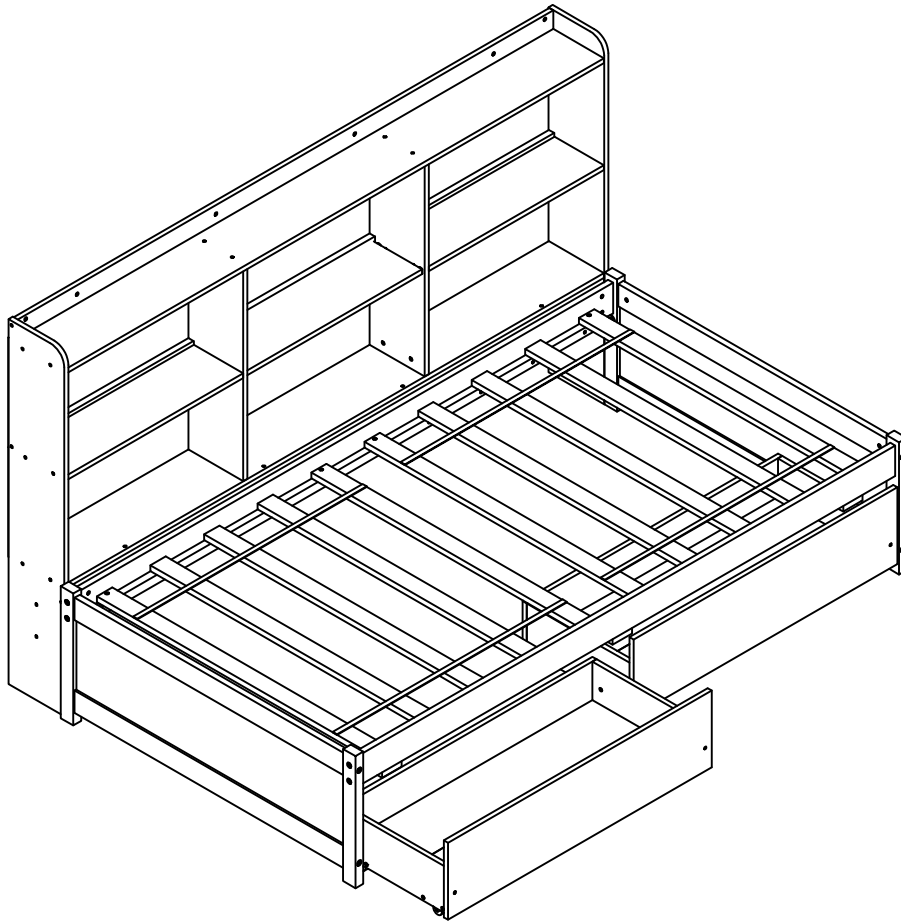
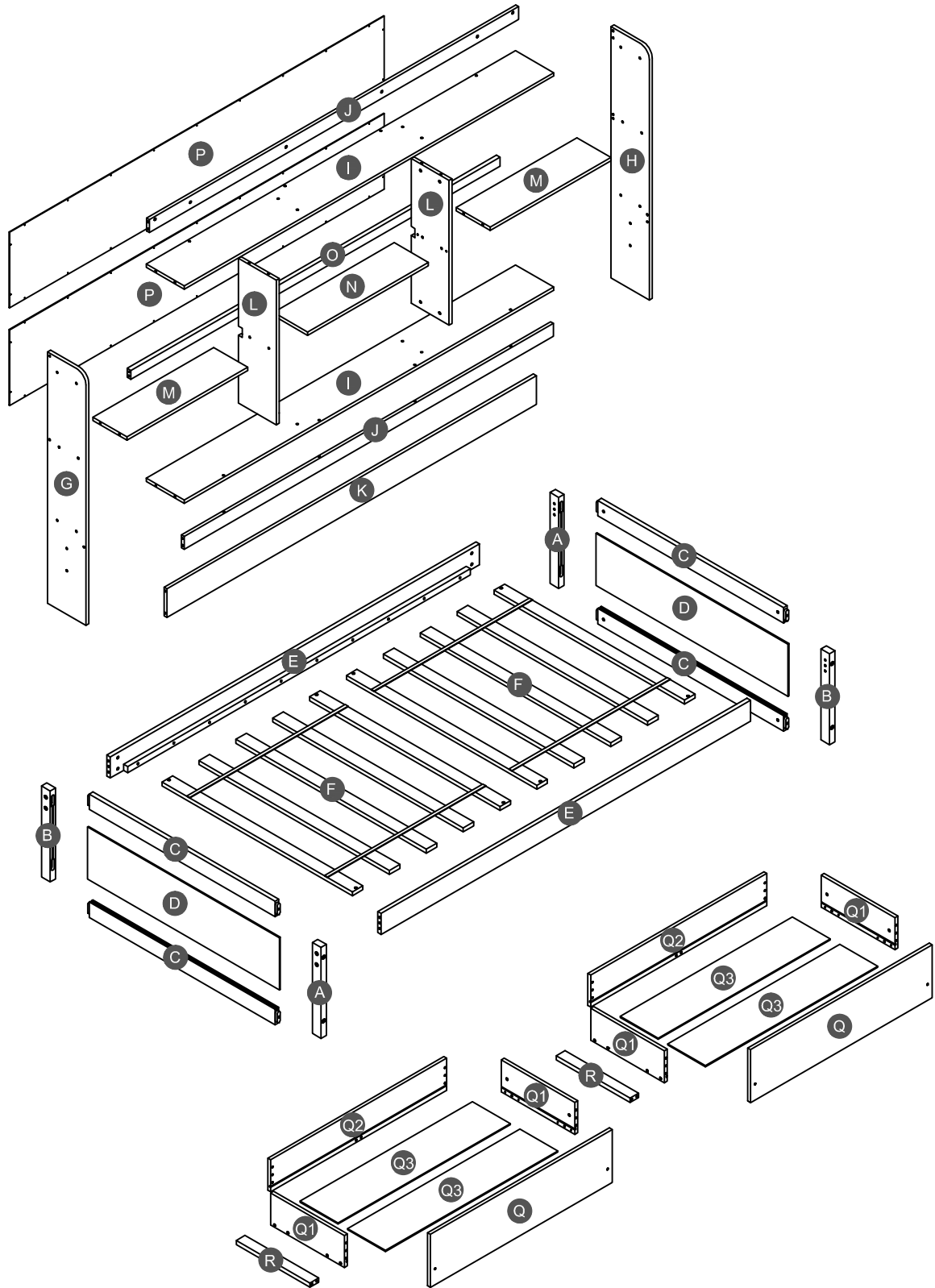


# ASSEMBLY INSTRUCTIONS

## TWIN BED WITH SIDE BOOKCASE, 2 DRAWERS

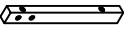

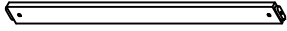

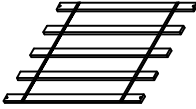
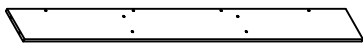

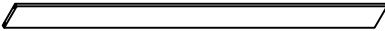


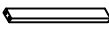


# Detail View


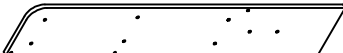

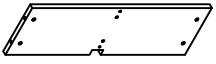
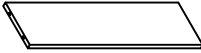
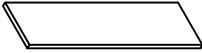

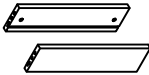

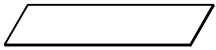


# Part List

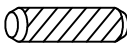
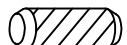
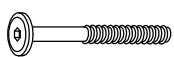
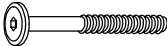


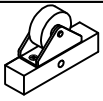

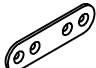

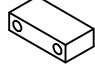




## DN33751 (1-2)

<b>A</b>  Leg (Left Front/Right Back) - 2pcs	<b>B</b>  Leg (Left Back/Right Front) - 2pcs	<b>C</b>  Horizontal bar HB & FB - 4pcs
<b>E</b>  Side rail - 2pcs	<b>F</b>  Slats - 2sets (5pcs/set)	<b>I</b>  Shelf panel - 2pcs
<b>J</b>  Horizontal bar (Back) - 2pcs	<b>K</b>  Lower horizontal bar - 1pc	<b>O</b>  Divider horizontal bar (Back) - 1pc
<b>P</b>  Back panel - 2pcs	<b>R</b>  Support drawer - 2pcs	

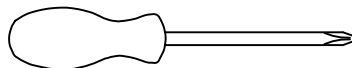
## Hardware List DN33751 (2-2)

<b>D</b>  Side panel HB & FB - 2pcs	<b>G</b>  Side panel (Left) - 1pc	<b>H</b>  Side panel (Right) - 1pc
<b>L</b>  Divider panel - 2pcs	<b>M</b>  Shelf panel (Left/Right) - 2pcs	<b>N</b>  Adjustable shelf - 1pc
<b>Q</b>  Front drawer panel - 2pcs	<b>Q1</b>  Left / right drawer panel - 4pcs	<b>Q2</b>  Back drawer panel - 2pcs
<b>Q3</b>  Drawer bottom - 4pcs		

## Hardware List DN33751 (2-2)

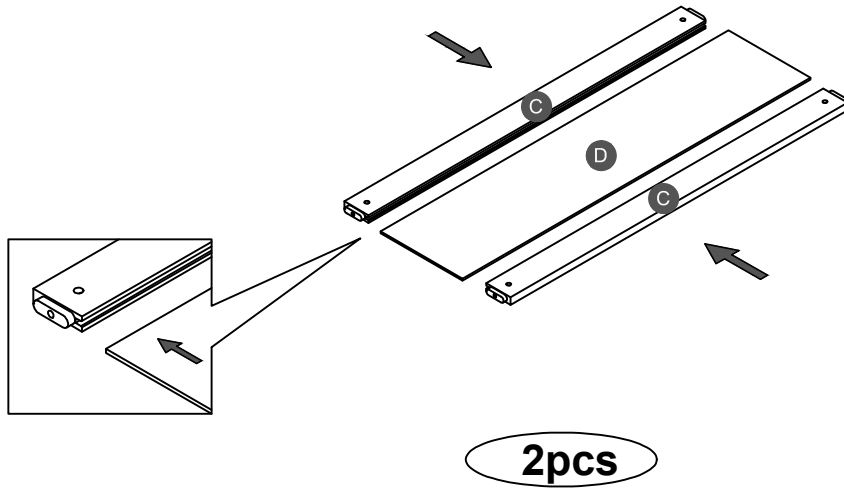
<b>1</b>  Ø8*30mm Wood dowel (34pcs)	<b>2</b>  Ø10*20mm Wood dowel (8pcs)	<b>3</b>  (Ø15)1/4"*80mm Hex-Head bolts (16pcs)
<b>4</b>  (Ø12)1/4"*60mm Hex-Head bolts (50pcs)	<b>5</b>  1/4"*15 (9.5mm) Horizontal-Hole bolts(66pcs)	<b>6</b>  Ø4*30mm Wood screws (30pcs)
<b>7</b>  100*54*20 mm Wheels (8pcs)	<b>8</b>  (1/4")4.5*58mm Allen key (1pc)	<b>9</b>  75*20*2 mm Metal bracket (4pcs)
<b>10</b>  Ø3.5*15mm Wood screws (62pcs)	<b>11</b>  70*35*19 mm Drawer stopper (3pcs)	<b>12</b>  29*16*14mm Shelf pin (4pcs)
<b>13</b>  Ø4*38mm Wood screws (2pcs)	<b>14</b>  Ø9*32mm Plastic anchor (2pcs)	<b>15</b>  58*16*16*(1.5mm) Metal bracket (2pcs)

### ASSEMBLY TOOLS REQUIRED ( NOT INCLUDED )



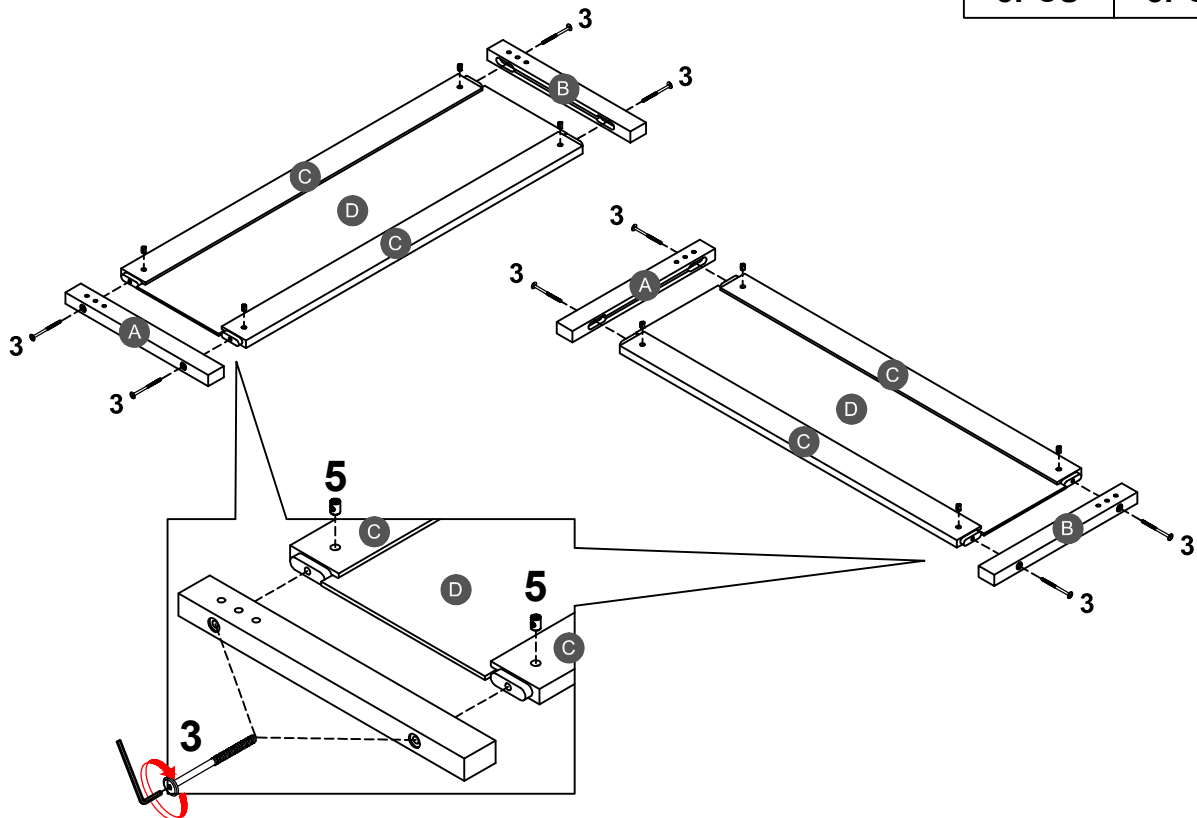
PLEASE BE CAREFUL DO NOT DAMAGE THE HOLE  
POSITION WHEN YOU USE POWER TOOLS !

**STEP 1:**

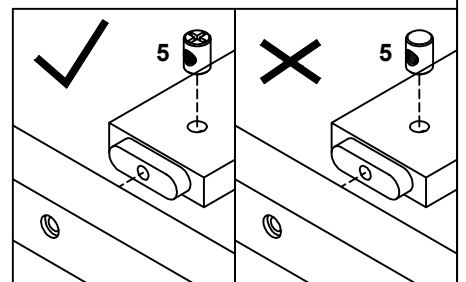


**STEP 2:**


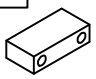
<b>3</b>		<b>5</b>	
<b>8PCS</b>		<b>8PCS</b>	

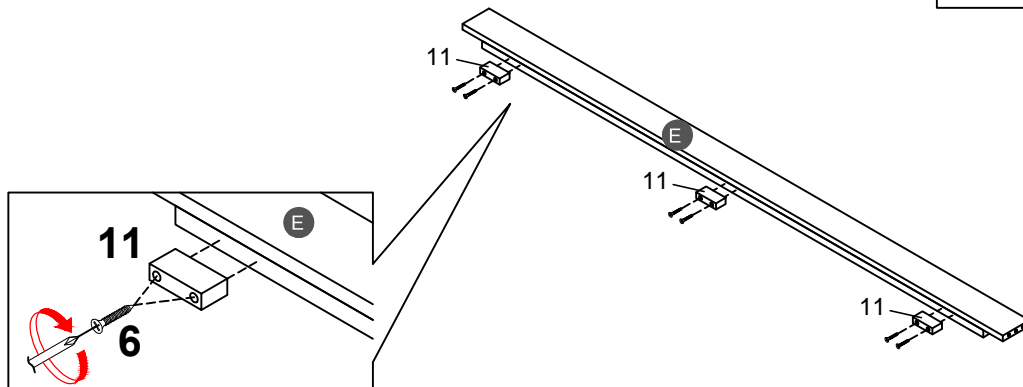


Note: Part 5 will face up with the "x" mark on it, otherwise it cannot be tightened






**STEP 3:**

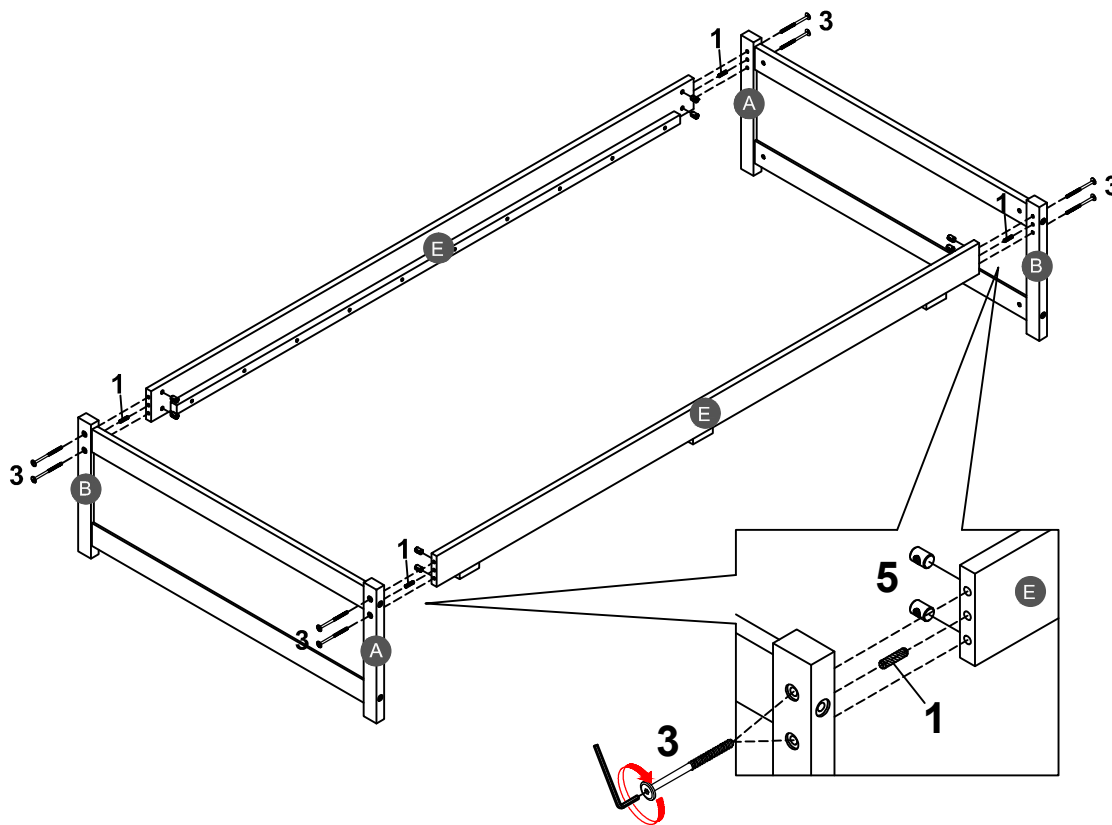
<b>6</b> 	<b>11</b> 
<b>6PCS</b>	<b>3PCS</b>



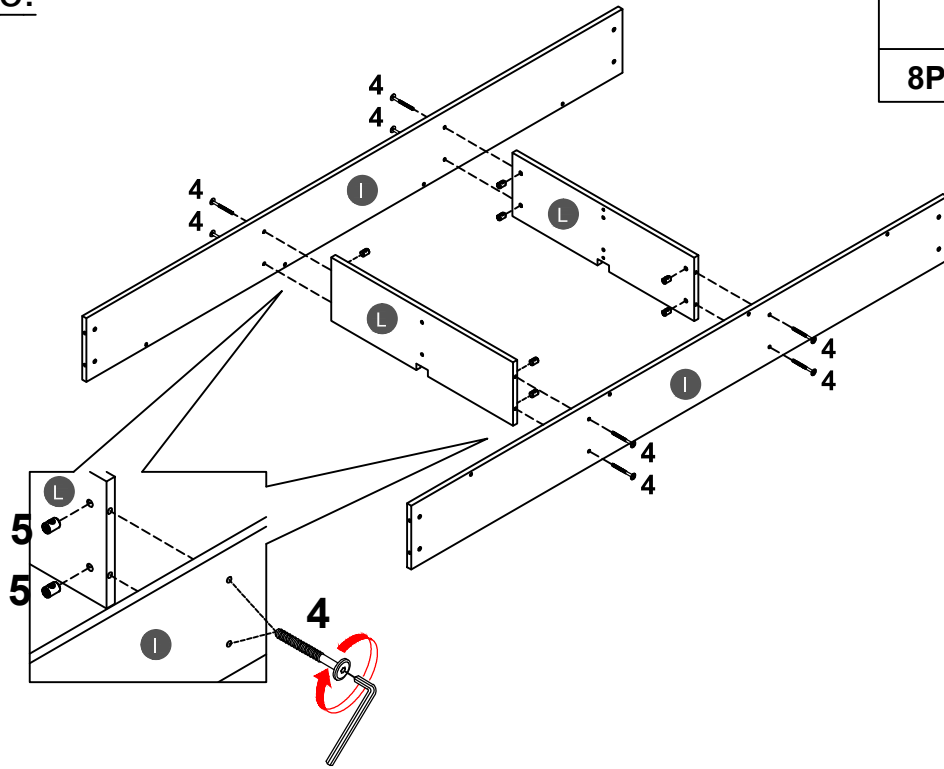
Drawer stopper (11) with lower side rail front (E) by using screw (6).



**STEP 4:**

<b>1</b> 	<b>3</b> 	<b>5</b> 
<b>4PCS</b>	<b>8PCS</b>	<b>8PCS</b>

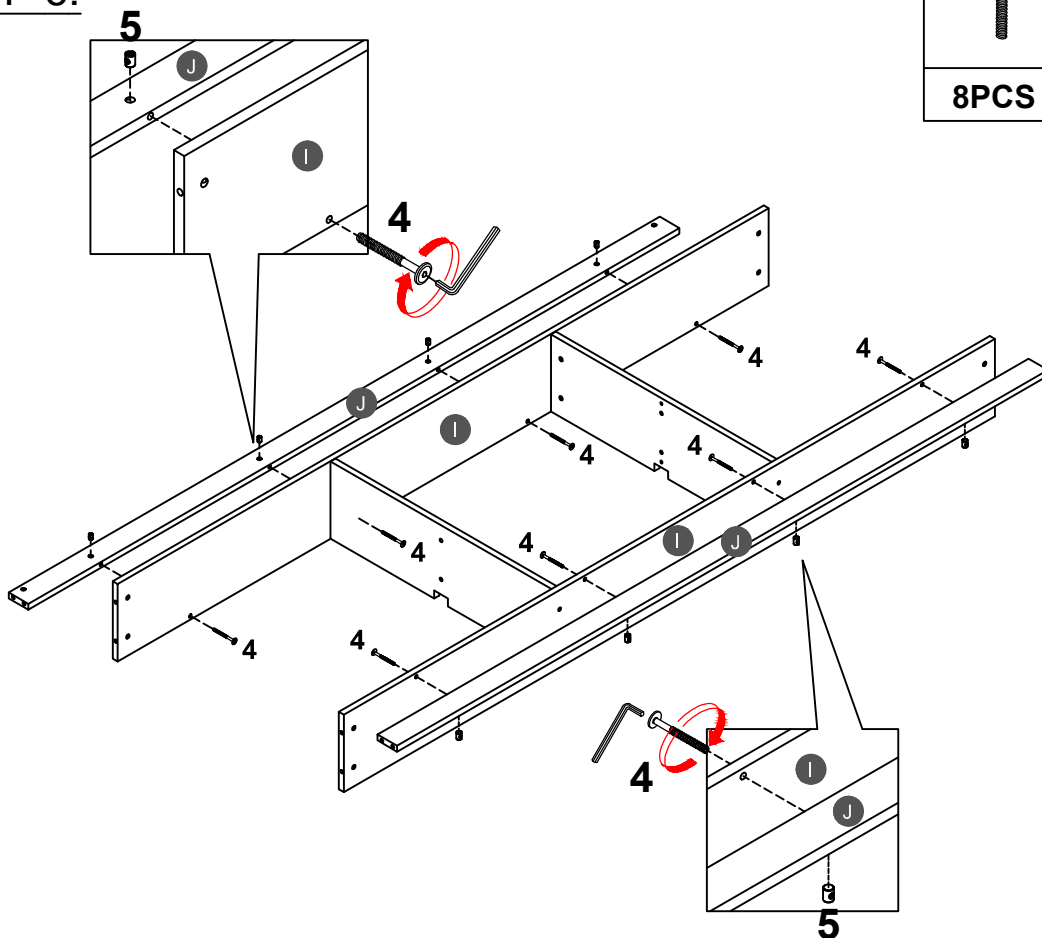




**STEP 5:**



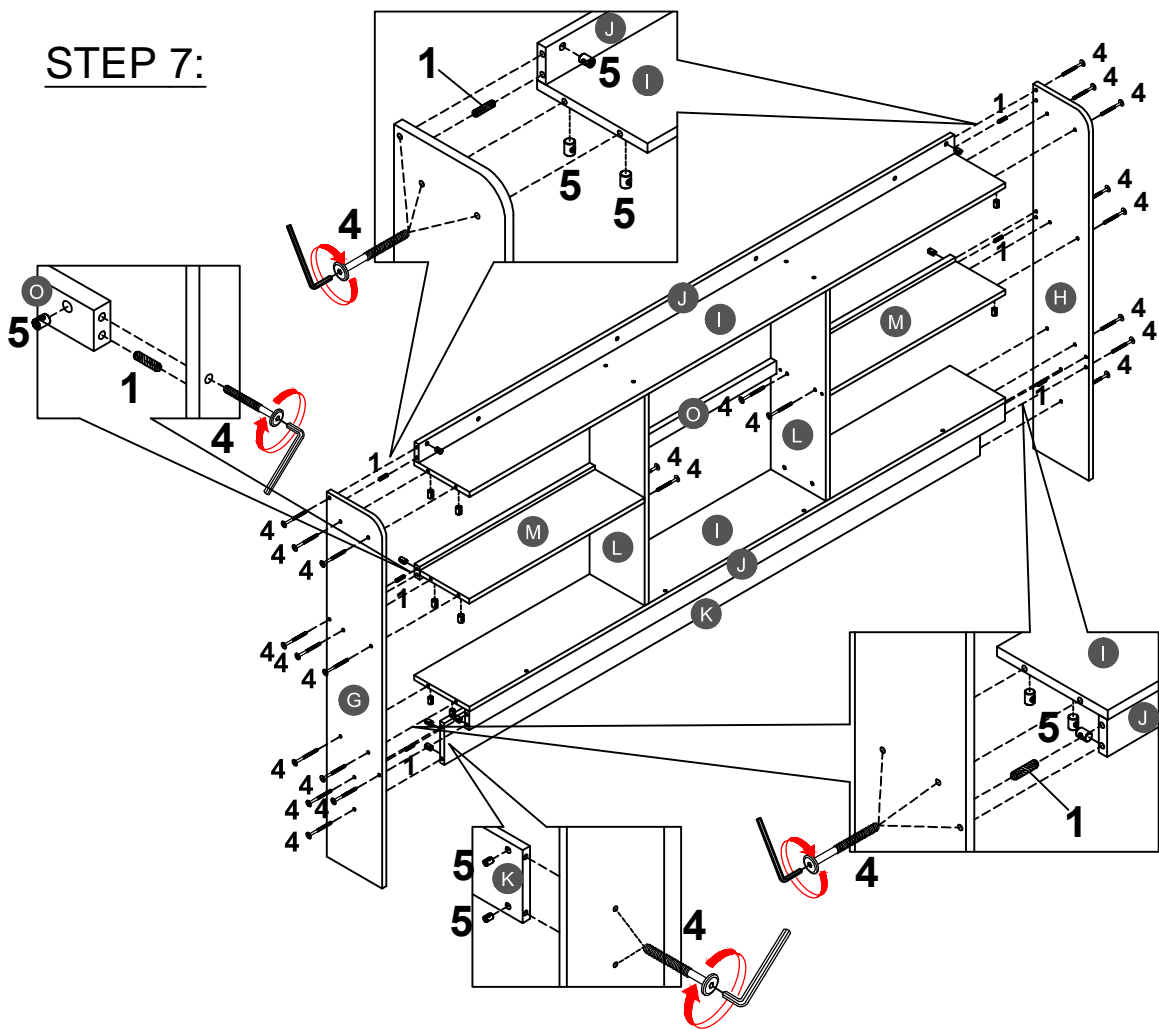
<b>4</b>		<b>5</b>	
<b>8PCS</b>		<b>8PCS</b>	

**STEP 6:**



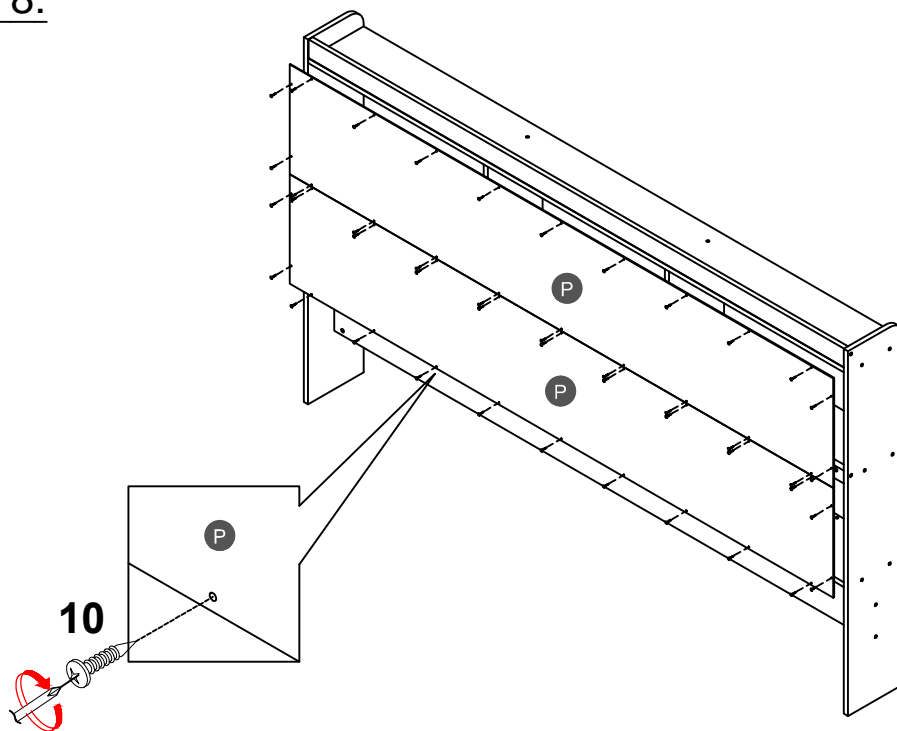
<b>4</b>		<b>5</b>	
<b>8PCS</b>		<b>8PCS</b>	

**STEP 7:**



<b>1</b>	
<b>6PCS</b>	
<b>4</b>	
<b>26PCS</b>	
<b>5</b>	
<b>26PCS</b>	

**STEP 8:**



<b>10</b>	
<b>44PCS</b>	

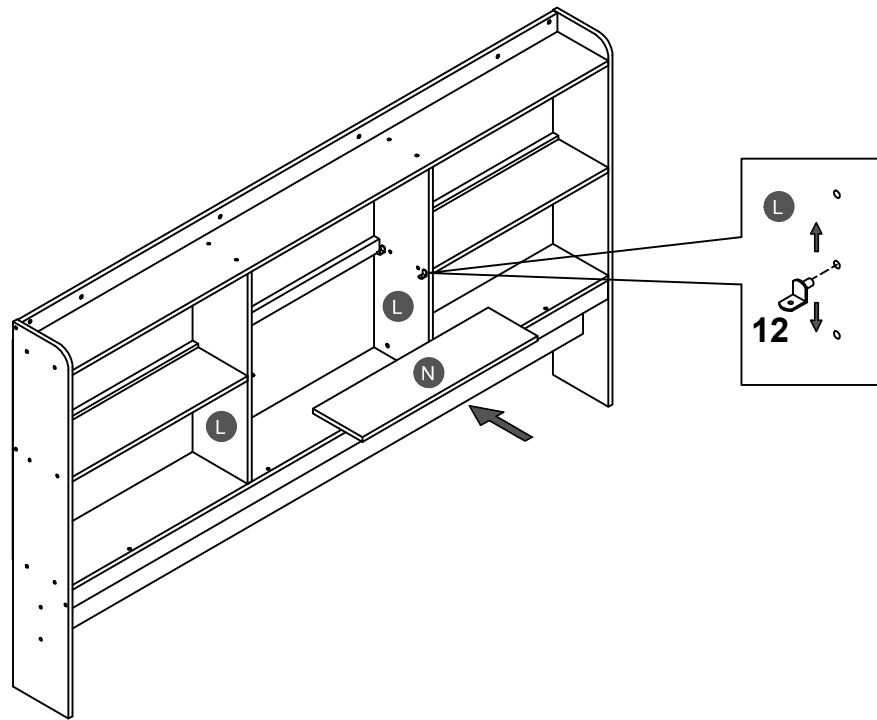


STEP 9:

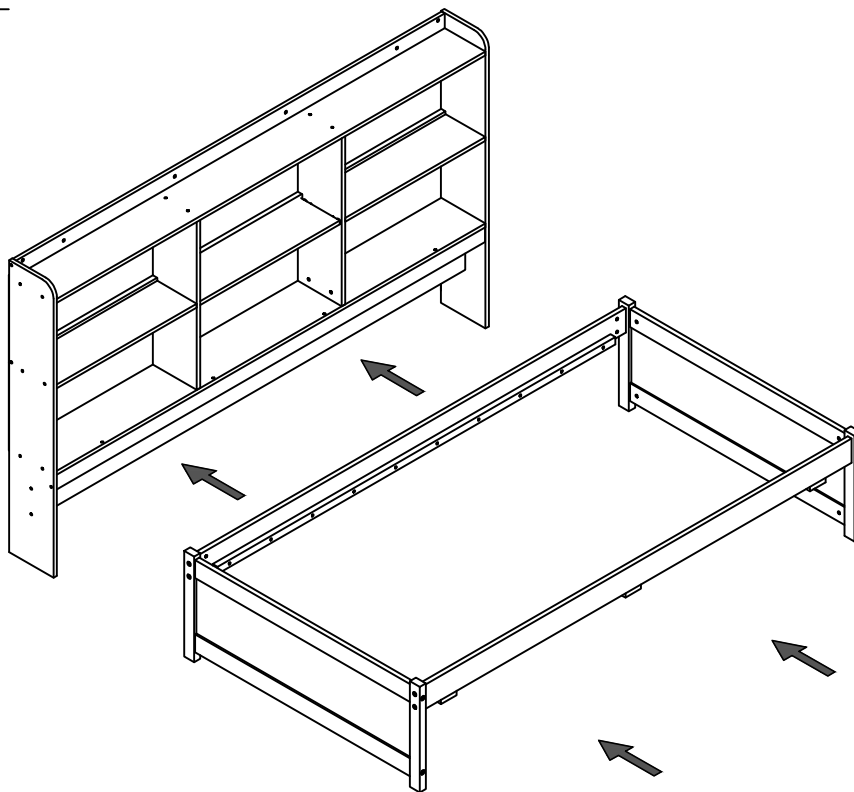
12



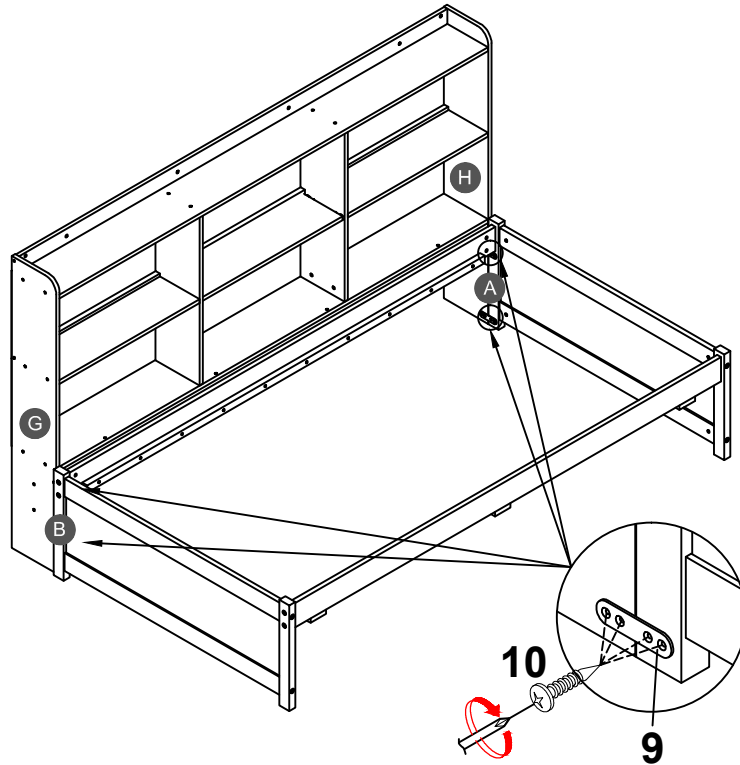
4PCS



STEP 10:

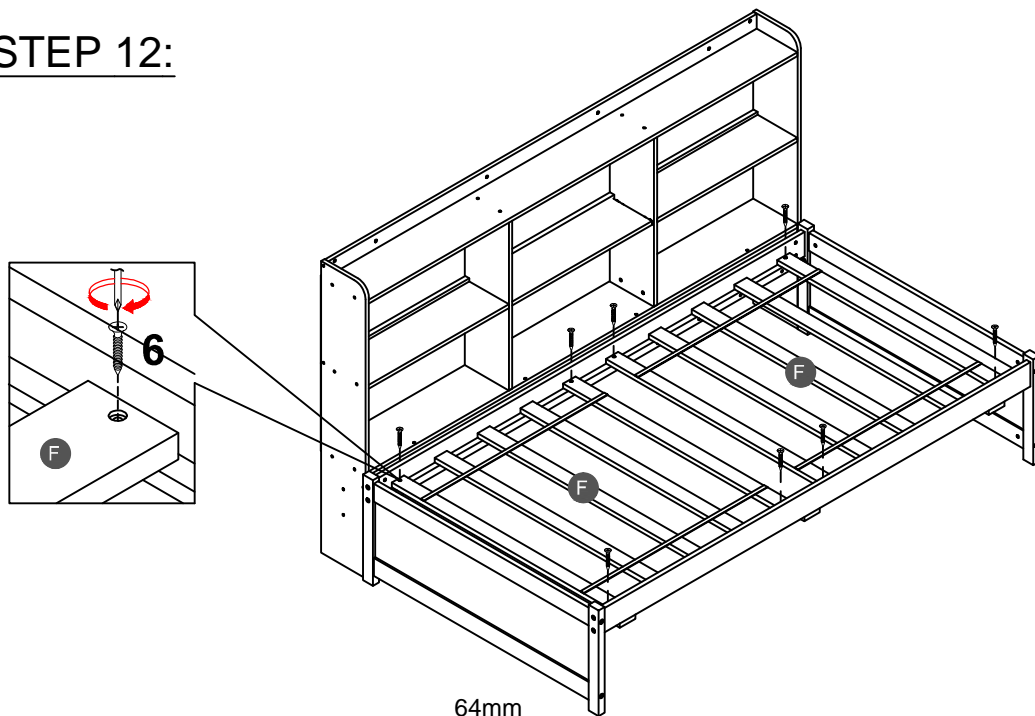


## STEP 11:

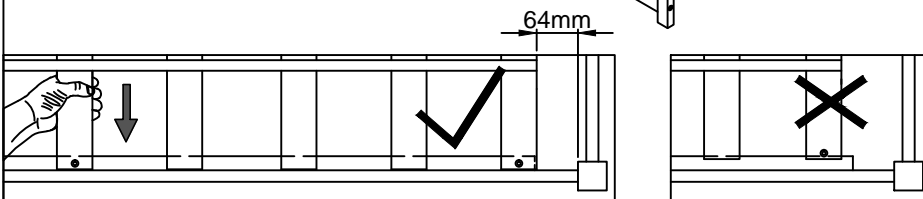


<b>9</b>		<b>10</b>	
<b>4PCS</b>		<b>16PCS</b>	

## STEP 12:






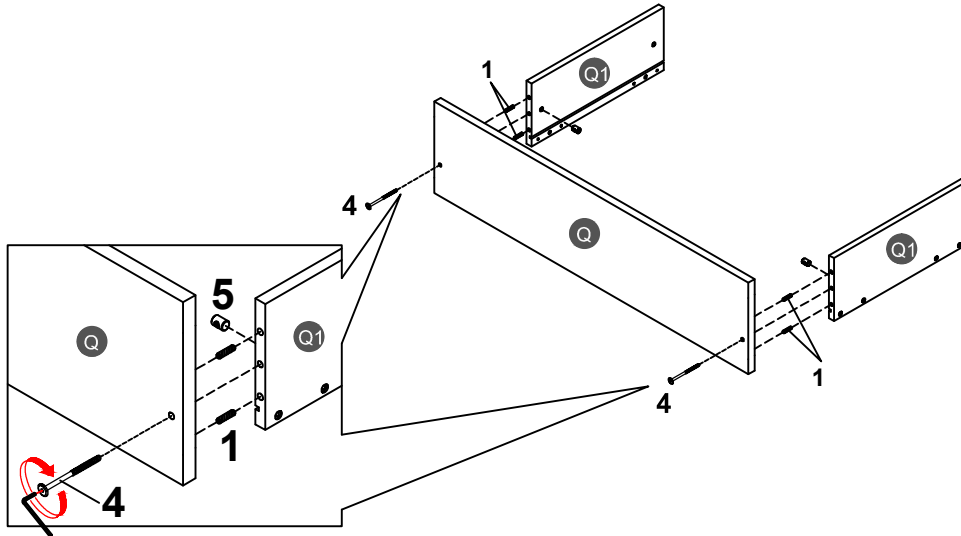
<b>6</b>	
<b>8PCS</b>	



Note: Do not lock the screws of the bed slats to the outermost edge of the bed slats, you need to leave a certain space at the edges, otherwise it will cause the board to break. Do not lock the bed slats on the edge of the wood, please hold firmly before screwing, hold it in place with one hand, then lock the screw.




**STEP 13:**

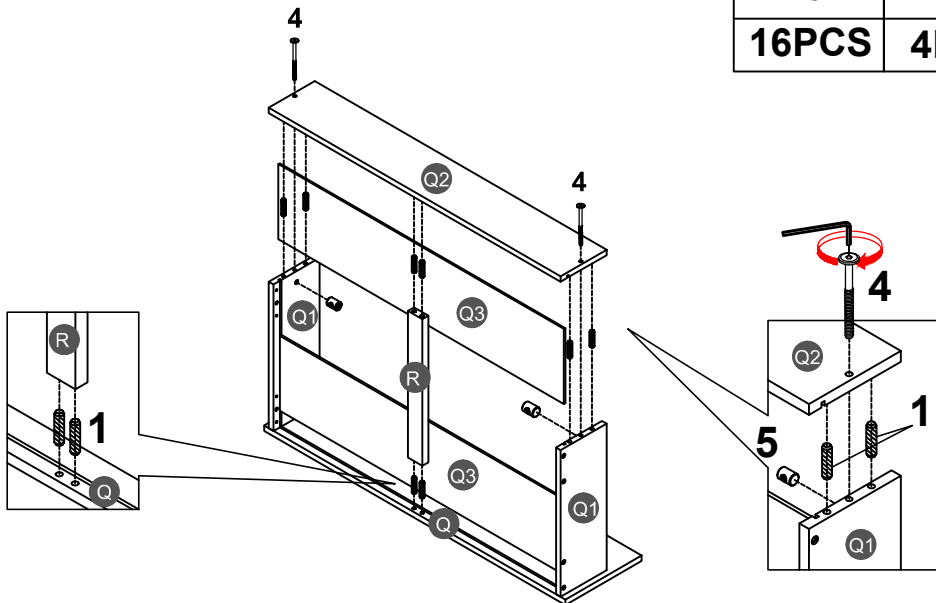
<b>1</b>		<b>4</b>		<b>5</b>	
<b>8PCS</b>		<b>4PCS</b>		<b>4PCS</b>	



**2pcs**



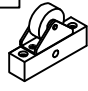
**STEP 14:**

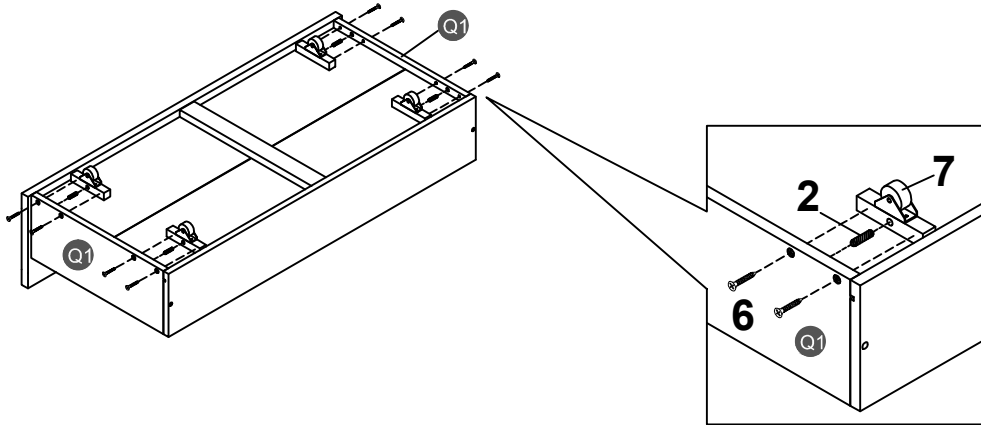
<b>1</b>		<b>4</b>		<b>5</b>	
<b>16PCS</b>		<b>4PCS</b>		<b>4PCS</b>	



**2pcs**

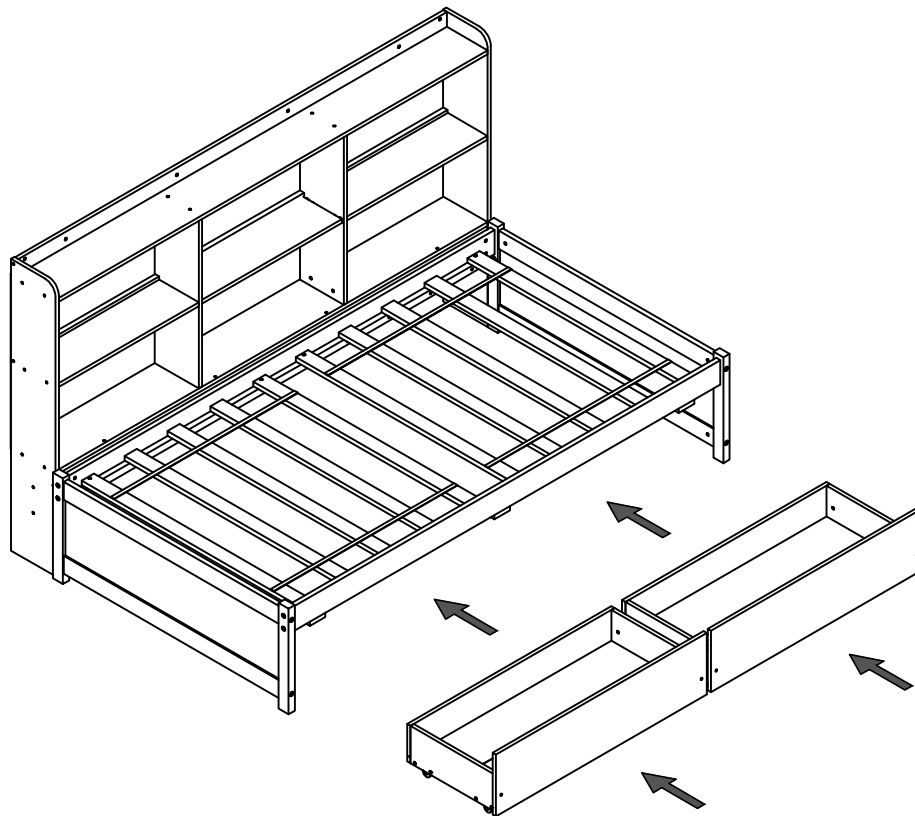
**STEP 15:**

<b>2</b> 	<b>6</b> 	<b>7</b> 
<b>8PCS</b>	<b>16PCS</b>	<b>8PCS</b>



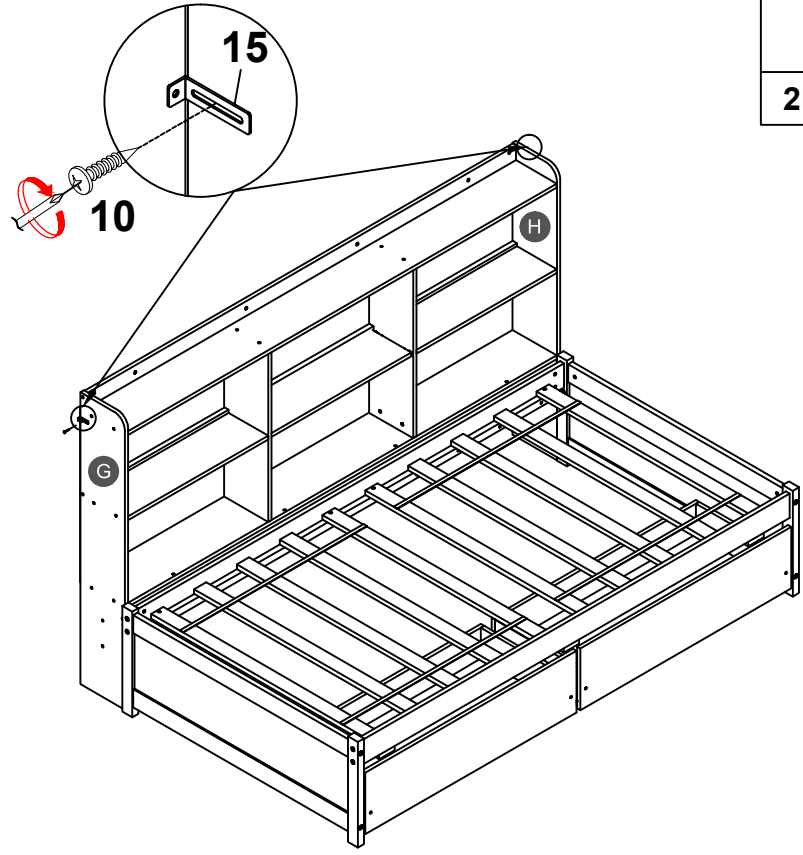
**2pcs**



**STEP 16:**



Push Drawer under the bottom of Bunk Bed.

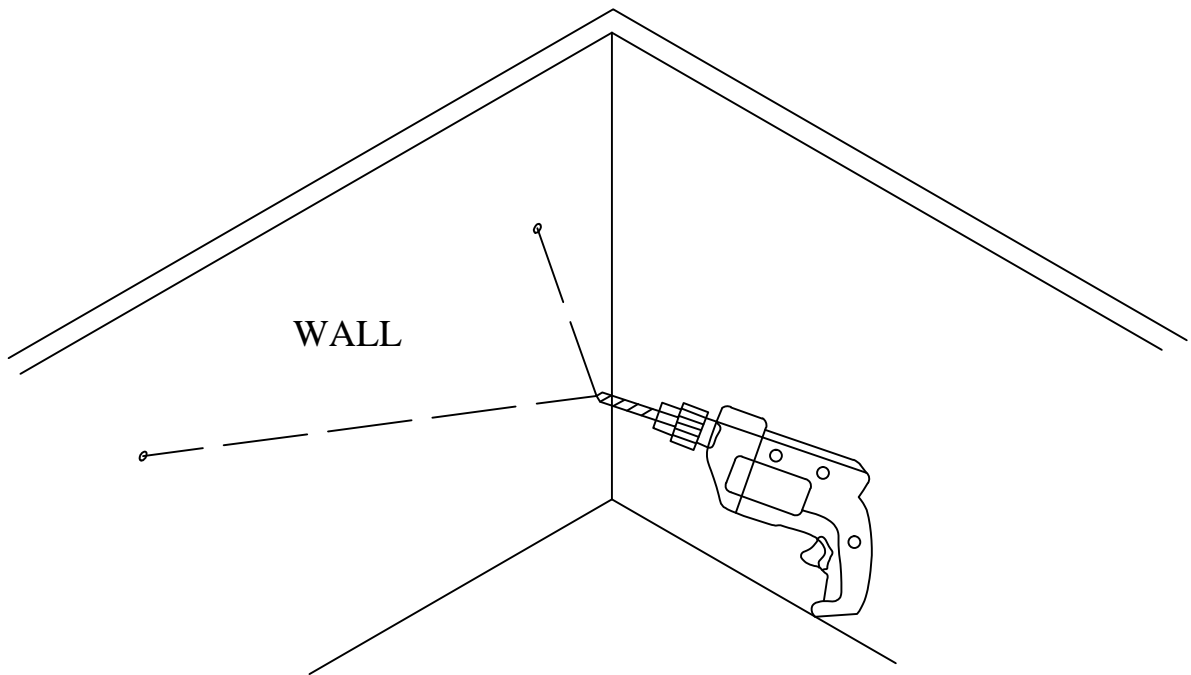
STEP A:



10		15	
2PCS		2PCS	

Installing the Anti-Tip Bracket.

STEP B:



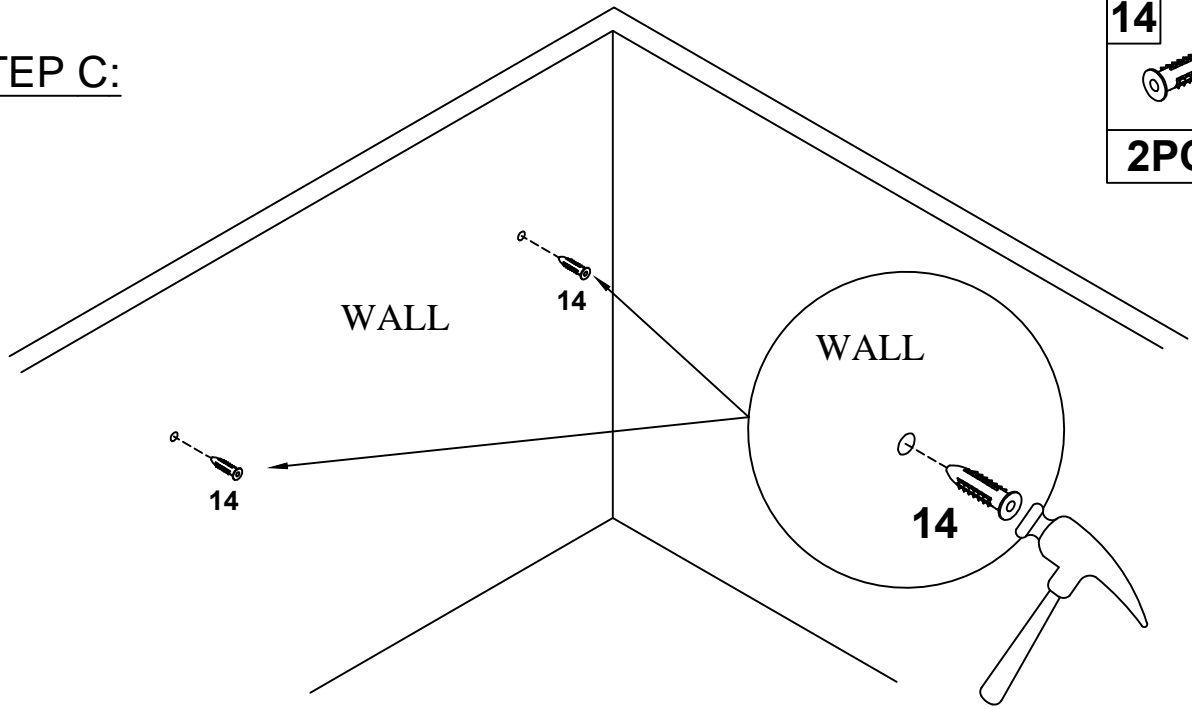
Drill holes in the wall.

STEP C:

14



2PCS



Tap plastic anchor in with a hammer or mallet.

STEP D:

13



2PCS

