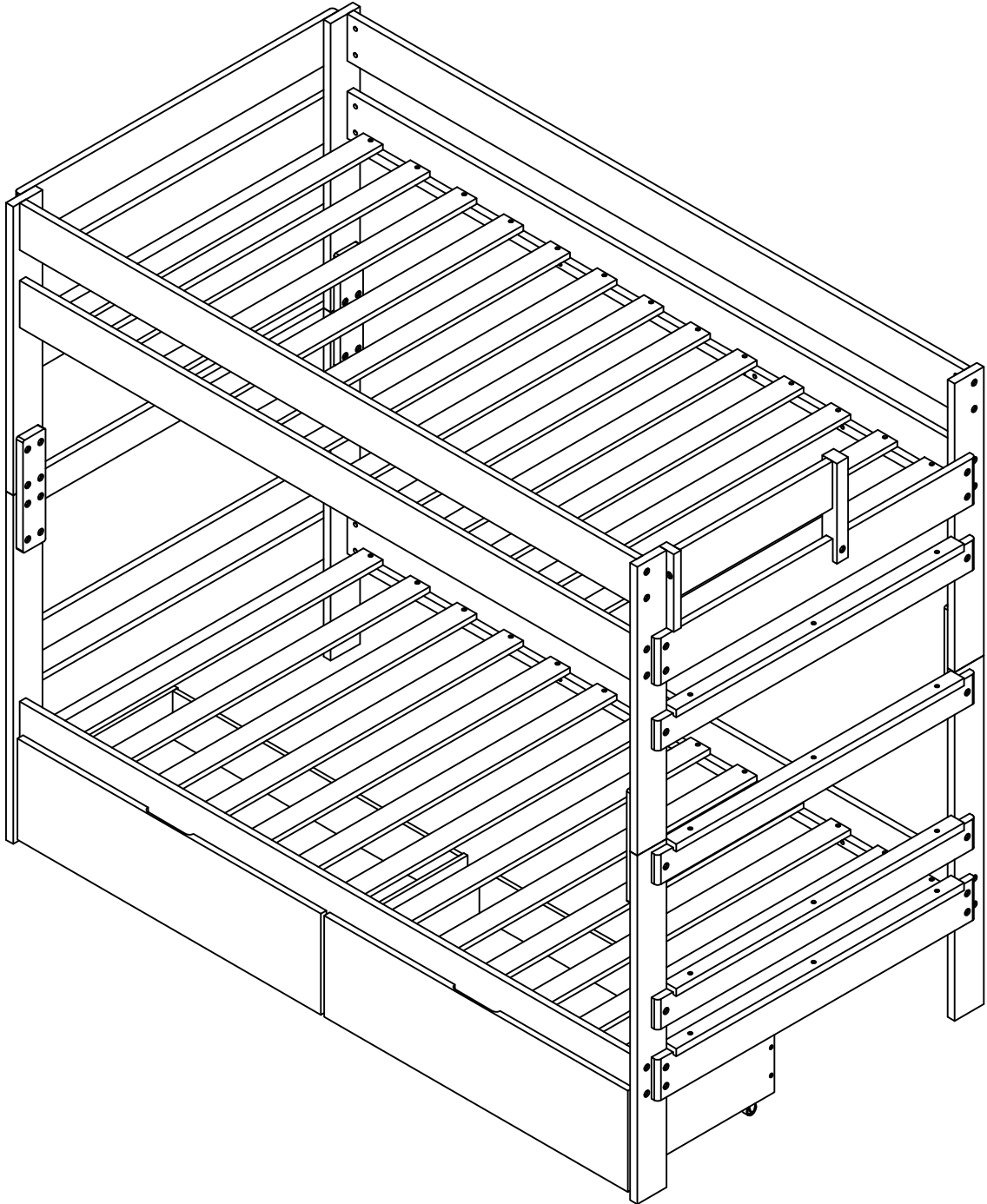


ASSEMBLY INSTRUCTIONS

ITEM CODE: WF294550 / WF294551





SAFETY WARNING



1. This bed is designed for use only mattress (es) meeting the following specifications on the upper bunk, and lower bunk:

Upper bunk (bunk bed and tribed included)

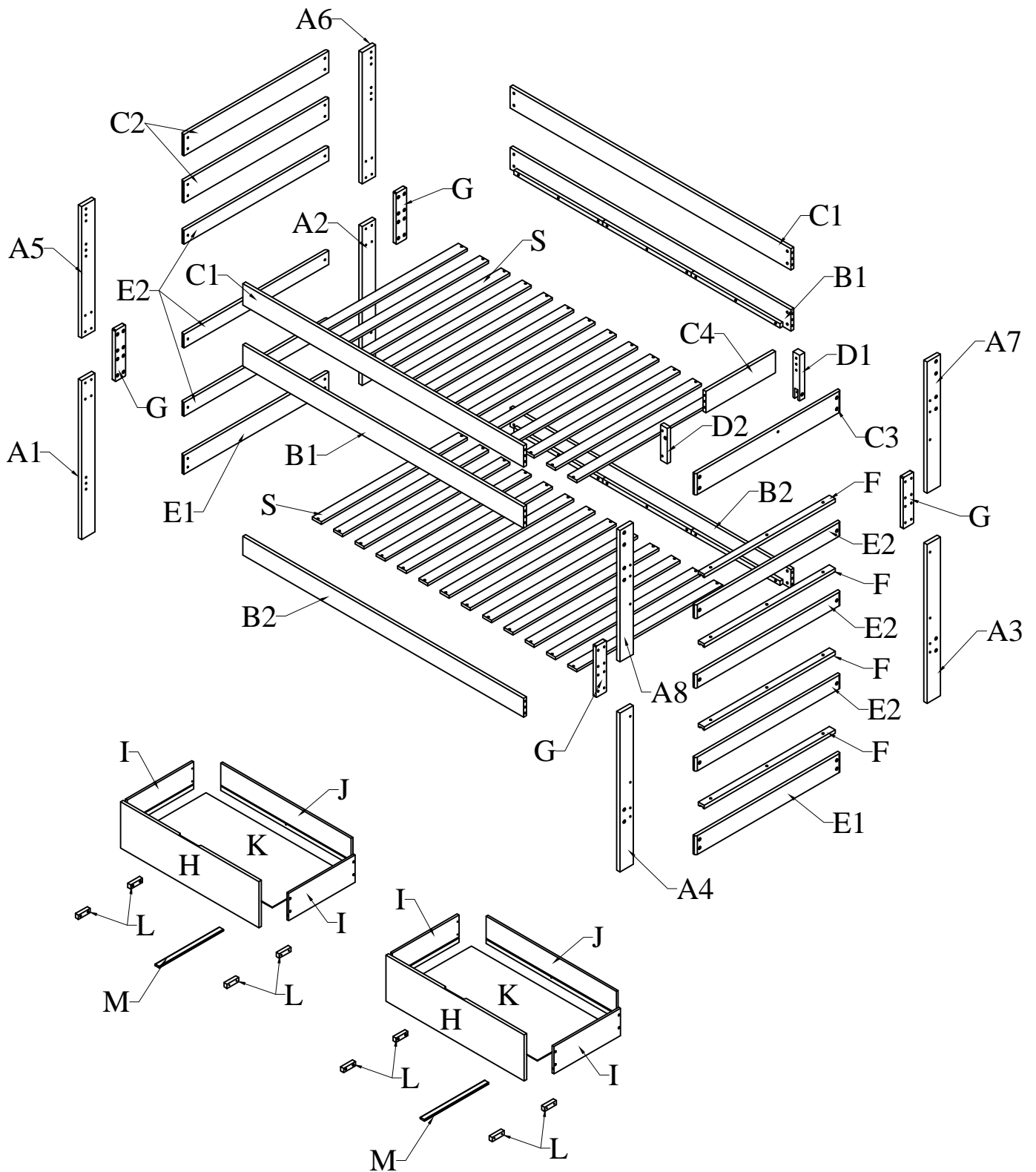
Bed type	Length	With	Thickness
Twin Standard	74" – 75"	38 ½"	6" max

Lower bunk




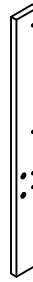
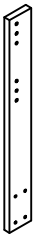

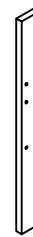

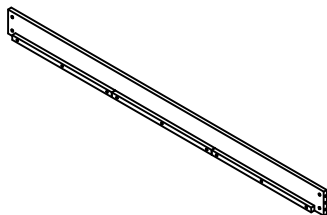
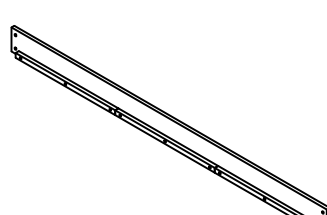
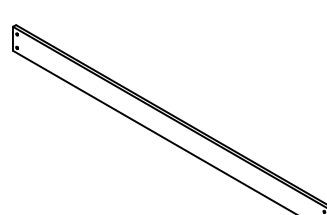
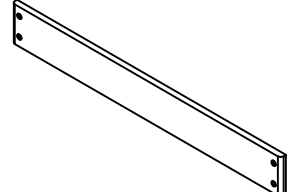
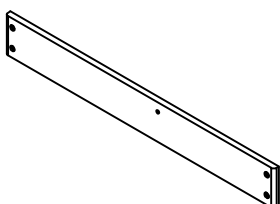
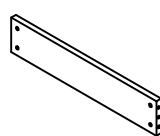
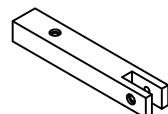
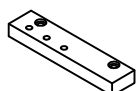
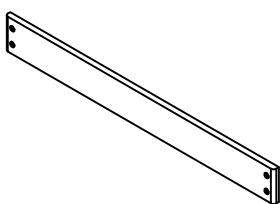
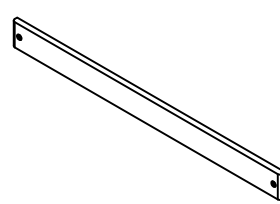
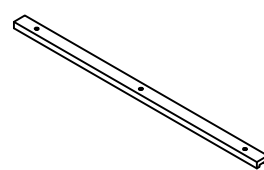
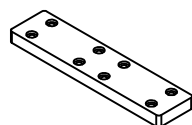
Bed type	Length	With	Thickness
Twin Standard	74" – 75"	38 ½"	8"

2. Replacement parts, including additional guardrails, maybe obtained from any of our (GIGACLOUD TECHNOLOGY (USA) INC. 18961 ARENTH AVENUE CITY OF INDUSTRY, CA, 91748) dealers.
3. Follow the information on the warnings appearing on the upper bunk bed end structure and on the carton. Do not remove warning label from bed.
4. Always use the recommended size mattresses or mattress supports, or both, to help prevent the likelihood of entrapment or falls.
5. Surface of mattress must be at least 5" (127mm) below the upper edge of guardrails.
6. Do not allow children under 6 years of age to use the upper bunk.
7. Periodically check and ensure that the guardrail, ladder, and other components are in their proper position, free from damage, and that all connectors are tight.
8. Do not allow horseplay on or under the bed and prohibit jumping on the bed.
9. Always use the ladder for entering and leaving the upper bunk.
10. Do not use substitute part. Contact the manufacture or dealer for replacement part.
11. Use of a night light may provide added safety precaution for a child using the upper bunk.
12. Always use guardrails on both long sides of the upper bunk. If the bunk bed will be placed next to the wall, the guardrail that runs the full length of the bed should be placed against the wall to prevent entrapment between the bed and wall.
13. The use of water or sleep flotation mattresses is prohibited.
14. STRANGULATION HAZARD - Never attach or hang items to any part of the bunk bed that are not designed for use with the bed; for example, but not limited to, hook, belts and jump ropes.
15. Keep these instruction for future reference.
16. Prohibit more than one person on upper bunk.
17. We recommend assembling your bunk bed on the shipping carton to protect your floor or carpet.
18. Be certain all staples are out of the box before beginning assembly on the shipping carton.

DETAIL VIEW

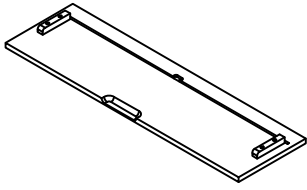


BOX 1: WF294550

<p>A1</p>  <p>Front left leg - Lower (1pc)</p>	<p>A2</p>  <p>Back left leg - Lower (1pc)</p>	<p>A3</p>  <p>Back right leg - Lower (1pc)</p>	<p>A4</p>  <p>Front right leg - Lower (1pc)</p>
<p>A5</p>  <p>Front left leg - Upper (1pc)</p>	<p>A6</p>  <p>Back left leg - Upper (1pc)</p>	<p>A7</p>  <p>Back right leg - Upper (1pc)</p>	<p>A8</p>  <p>Front right leg - Upper (1pc)</p>
<p>B1</p>  <p>Side rail - Lower (2pcs)</p>	<p>B2</p>  <p>Side rail - Upper (2pcs)</p>	<p>C1</p>  <p>Guardrail - Long (2pcs)</p>	<p>C2</p>  <p>Horizontal rail left - upper (2pcs)</p>
<p>C3</p>  <p>Horizontal rail right - upper (1pc)</p>	<p>C4</p>  <p>Guardrail - Short (1pc)</p>	<p>D1</p>  <p>Vertical rail - right (1pc)</p>	<p>D2</p>  <p>Vertical rail - left (1pc)</p>
<p>E1</p>  <p>Horizontal rail - Lower (2pcs)</p>	<p>E2</p>  <p>Horizontal rail - Middle (6pcs)</p>	<p>F</p>  <p>Cap top for rail (4pcs)</p>	<p>G</p>  <p>Support leg (4pcs)</p>

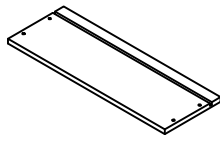
BOX 2: WF294551

H



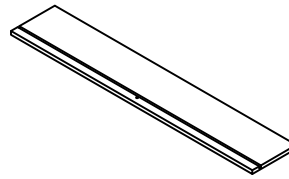
Drawer - Front (2pcs)

I



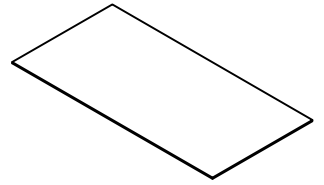
Drawer - Side (4pcs)

J



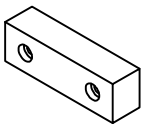
Drawer - Back (2pcs)

K



Drawer - Bottom (2pcs)

L



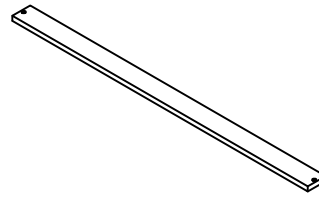
Support - Drawer (8pcs)

M



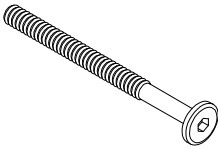
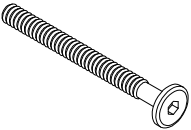


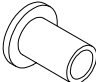
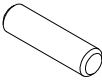
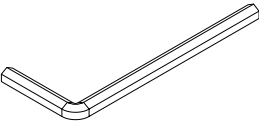
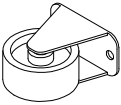
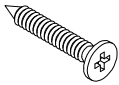

Drawer - Support bar (2pcs)

S



Slats (26pcs)

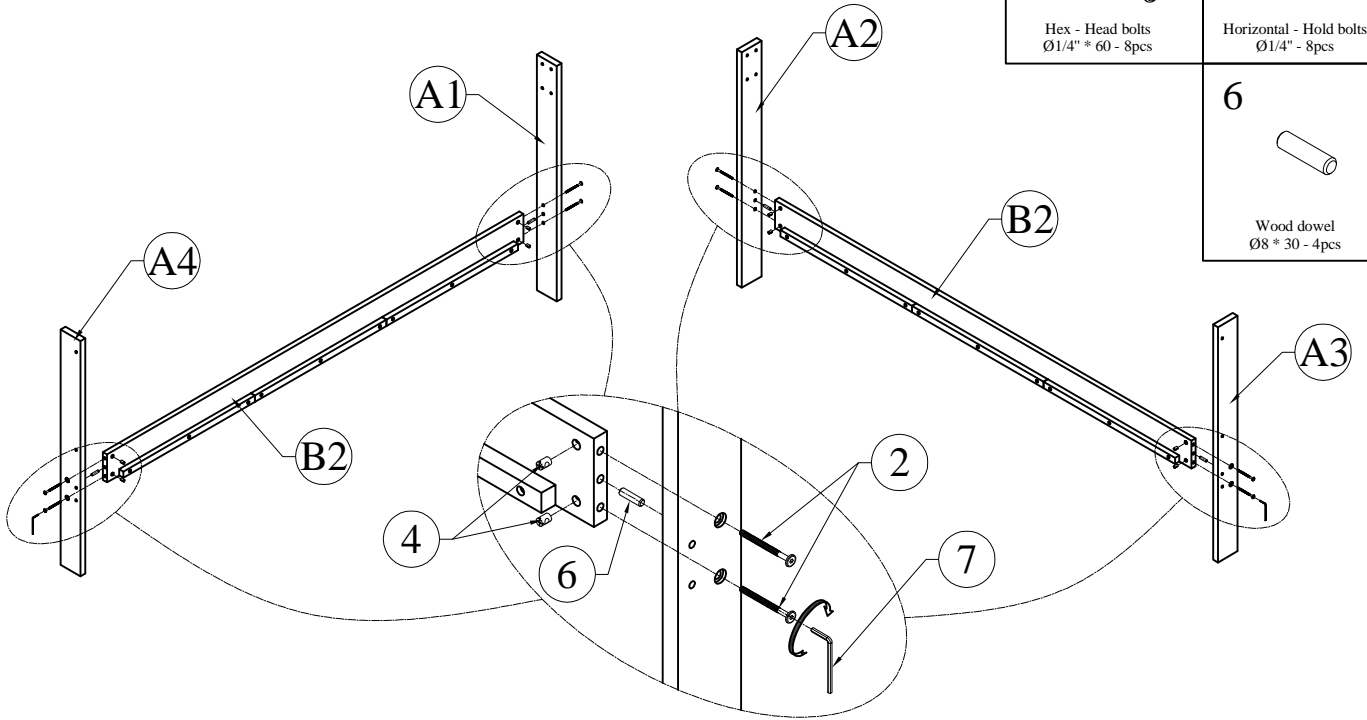
HARDWARE LIST: WF294550

<p>1</p>  <p>Hex - Head bolts Ø1/4" * 80 - 1pcs</p>	<p>2</p>  <p>Hex - Head bolts Ø1/4" * 60- 25pcs</p>	<p>3</p>  <p>Hex - Head bolts Ø1/4" * 30 - 67pcs</p>	<p>4</p>  <p>Horizontal - Hold bolts Ø1/4" - 26pcs</p>
<p>5</p>  <p>Canopy head though Ø1/4" - 1pcs</p>	<p>6</p>  <p>Wood dowel Ø8 * 30 - 16pcs</p>	<p>7</p>  <p>Allen key K4 - 2pcs</p>	<p>8</p>  <p>Whell Ø30 - 8pcs</p>
<p>9</p>  <p>Wood crews M4 * 25 - 98pcs</p>	<p>10</p>  <p>Round Wood crews M3.5 * 15 - 16pcs</p>		



Asembly Tools Required (Not Included)

STEP 1

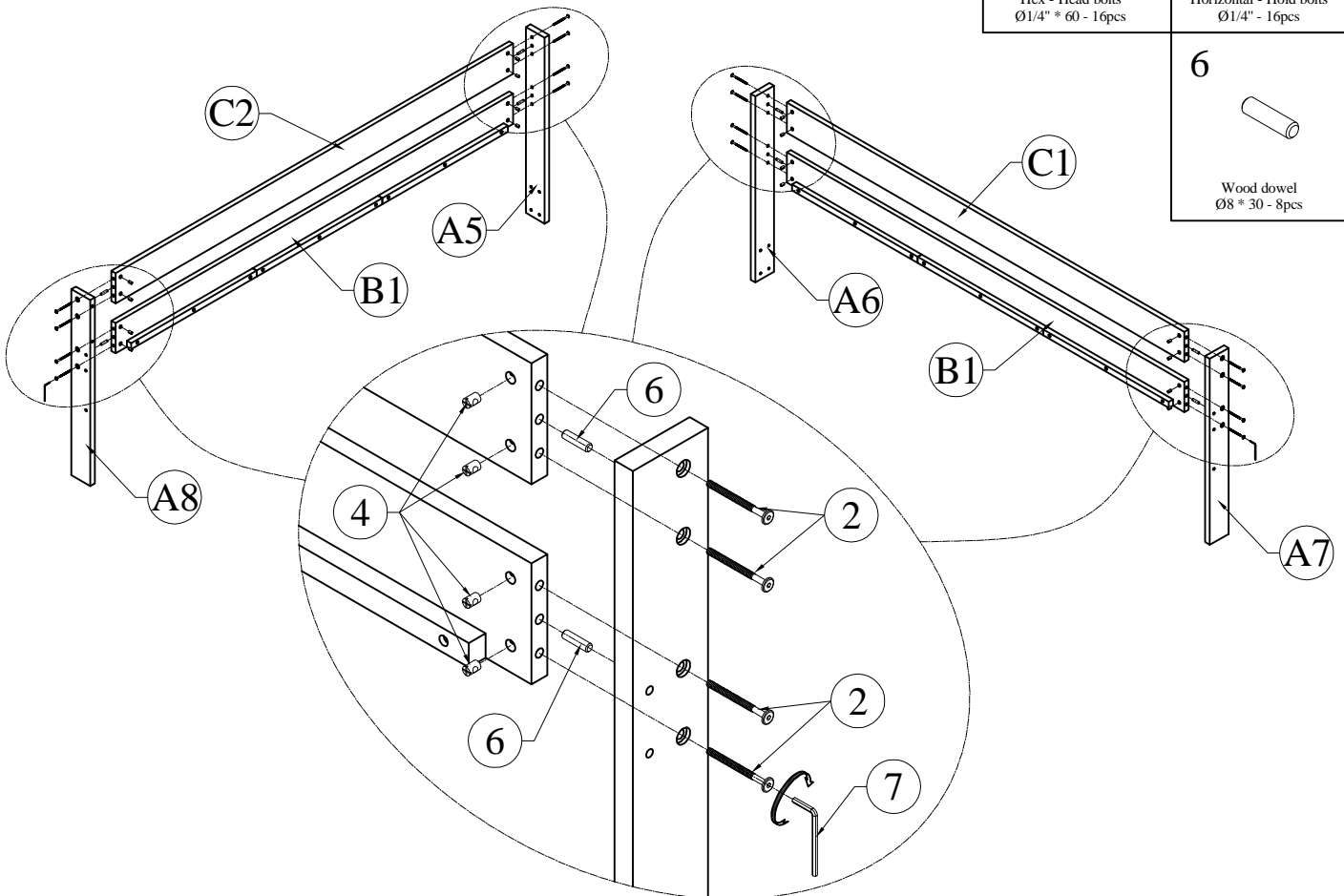


2
Hex - Head bolts
Ø1/4" * 60 - 8pcs

4
Horizontal - Hold bolts
Ø1/4" - 8pcs

6
Wood dowel
Ø8 * 30 - 4pcs

STEP 2



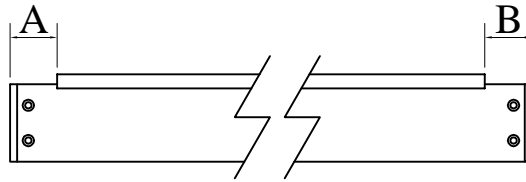
2
Hex - Head bolts
Ø1/4" * 60 - 16pcs

4
Horizontal - Hold bolts
Ø1/4" - 16pcs

6
Wood dowel
Ø8 * 30 - 8pcs

STEP 3

Distance A and B are equal

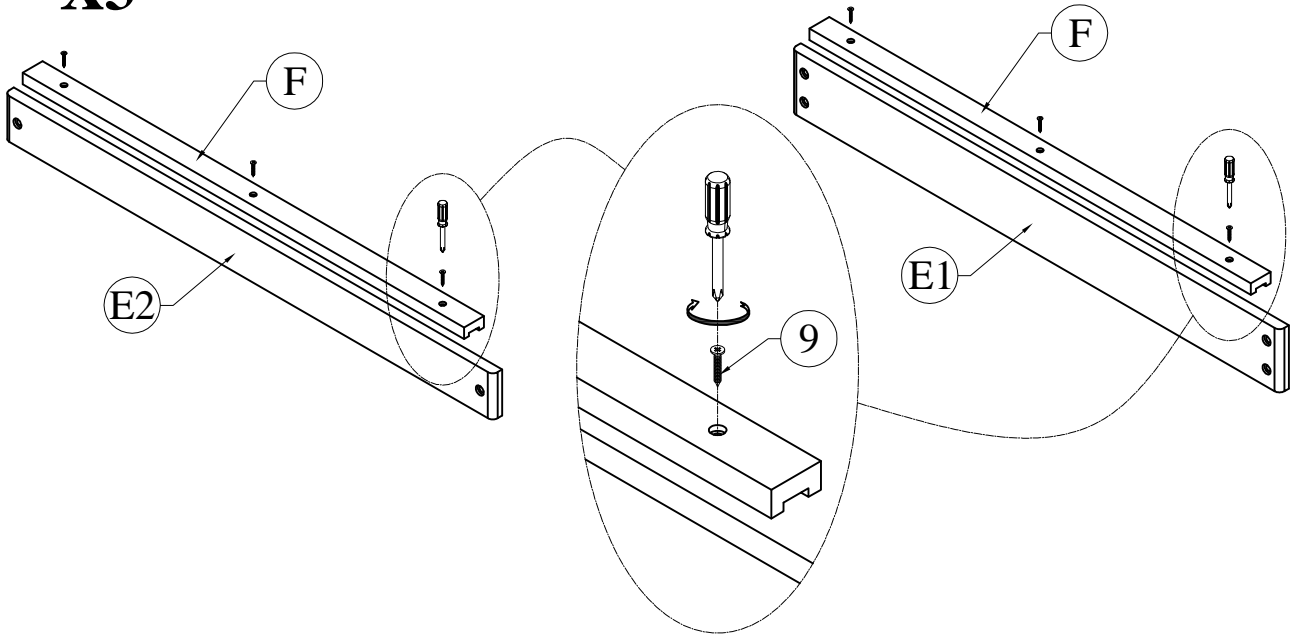


9

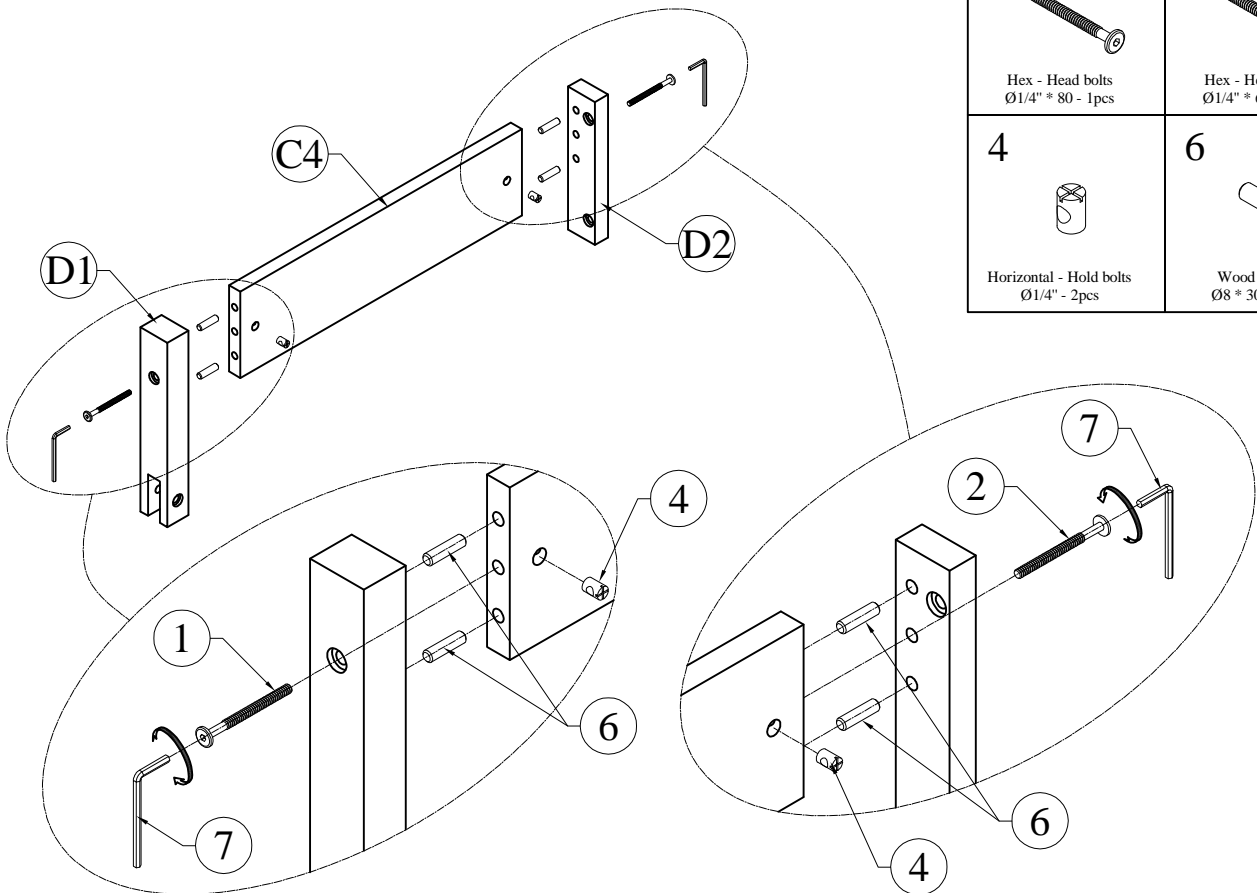


Wood crews
M4 * 25 - 12pcs

X3



STEP 4

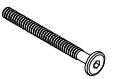


1



Hex - Head bolts
Ø1/4" * 80 - 1pcs

2



Hex - Head bolts
Ø1/4" * 60 - 1pcs

4



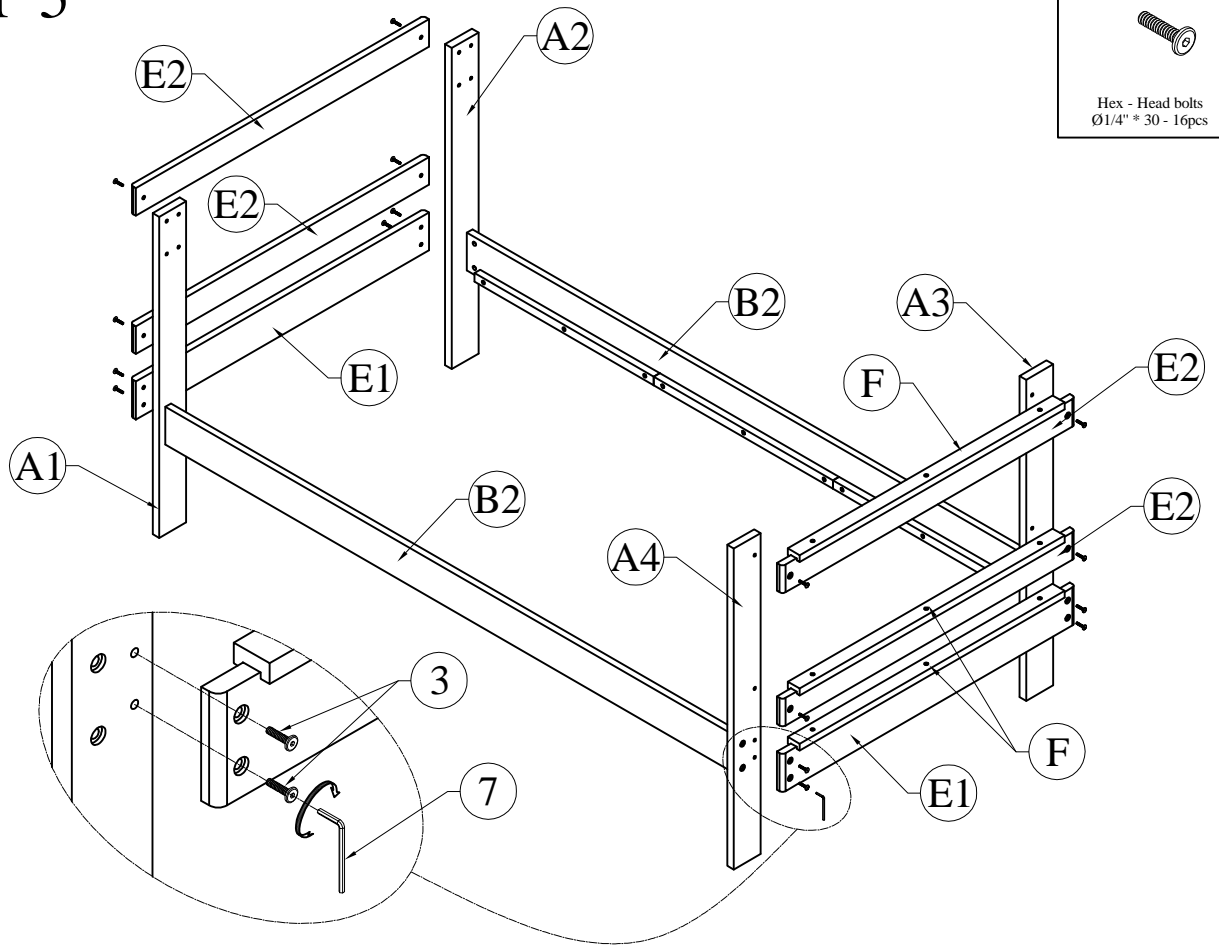
Horizontal - Hold bolts
Ø1/4" - 2pcs

6



Wood dowel
Ø8 * 30 - 4pcs

STEP 5

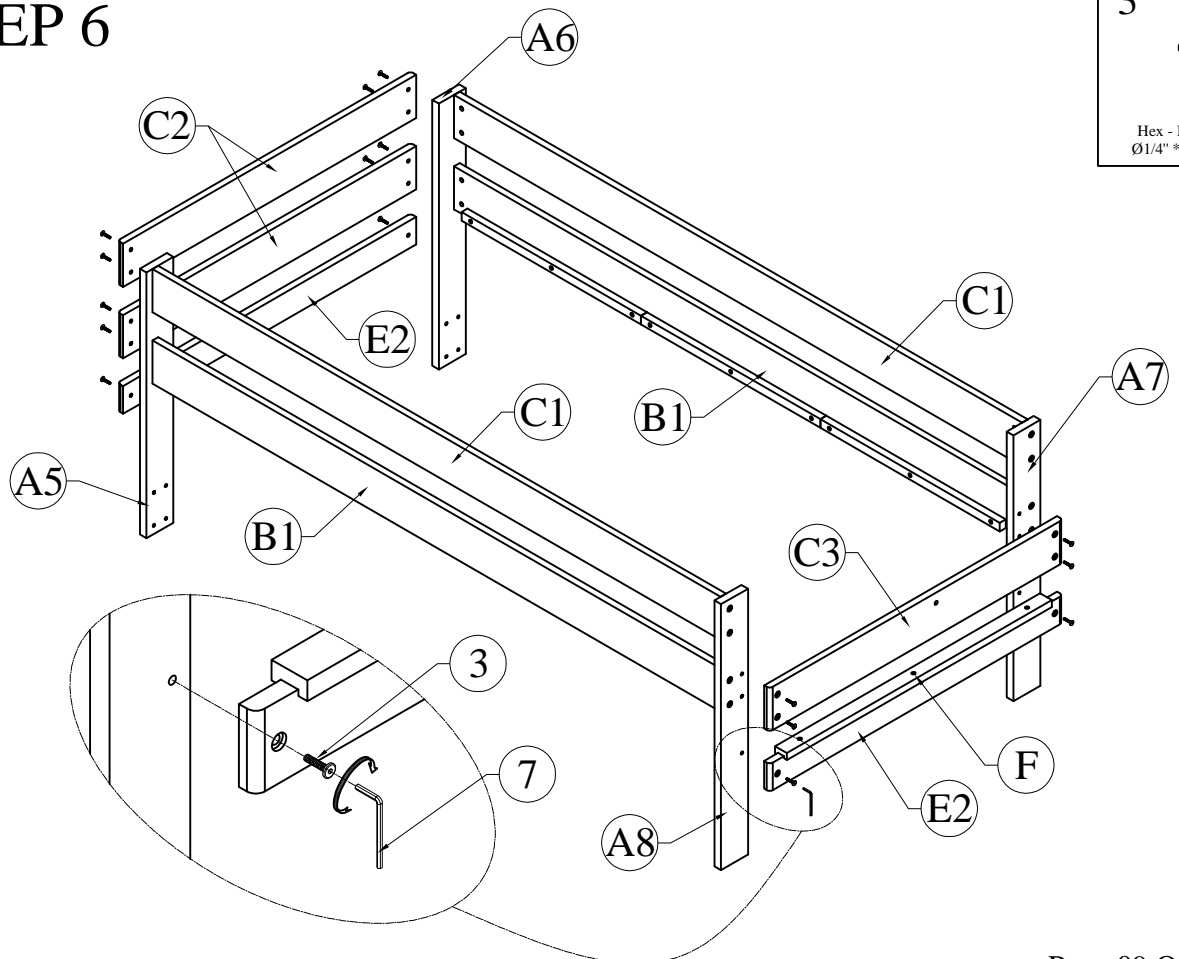


3



Hex - Head bolts
Ø1/4" * 30 - 16pcs

STEP 6

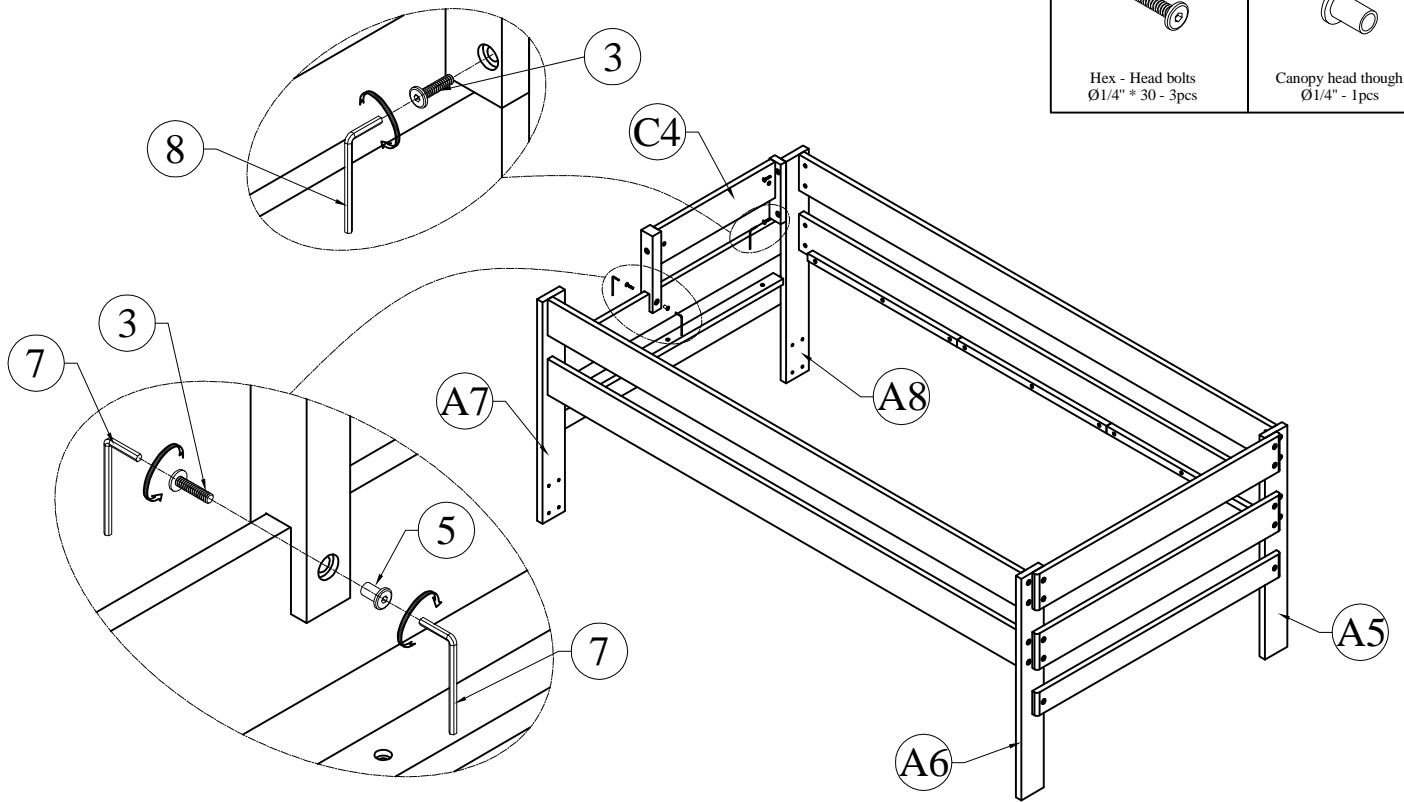


3

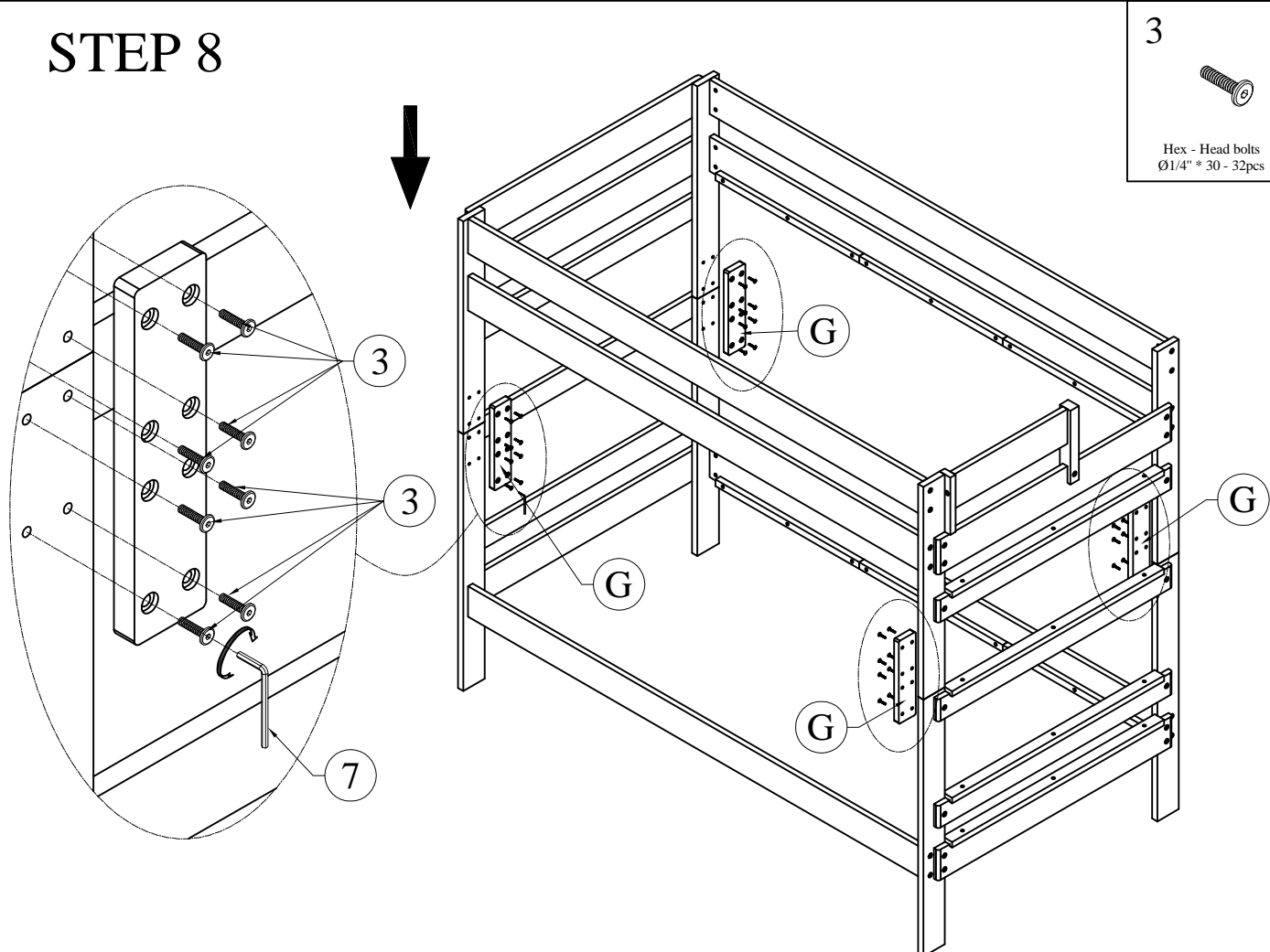


Hex - Head bolts
Ø1/4" * 30 - 16pcs

STEP 7



STEP 8



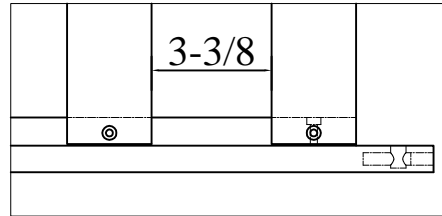
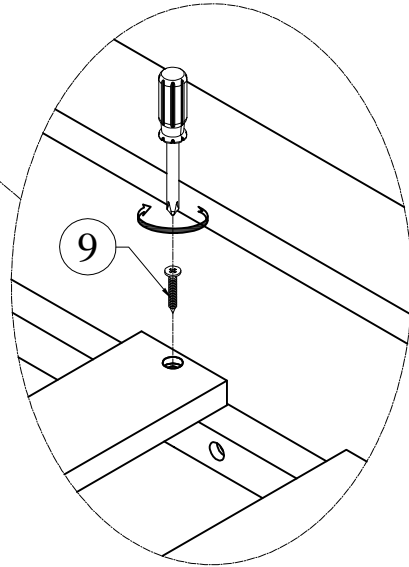
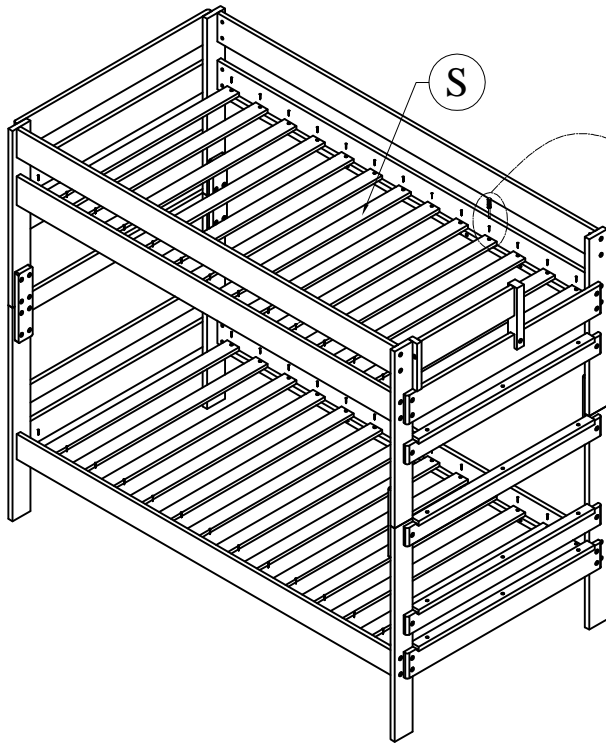
STEP 9

The distance between the slats is 3-3/8 inch

9



Wood crews
M4 * 25 - 52pcs

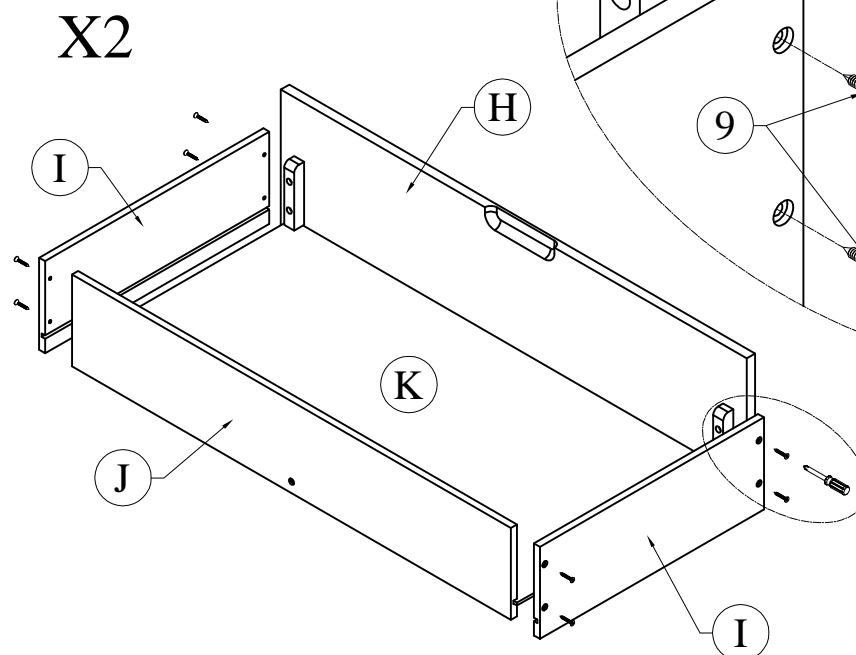


STEP 10

9



Wood crews
M4 * 25 - 16pcs

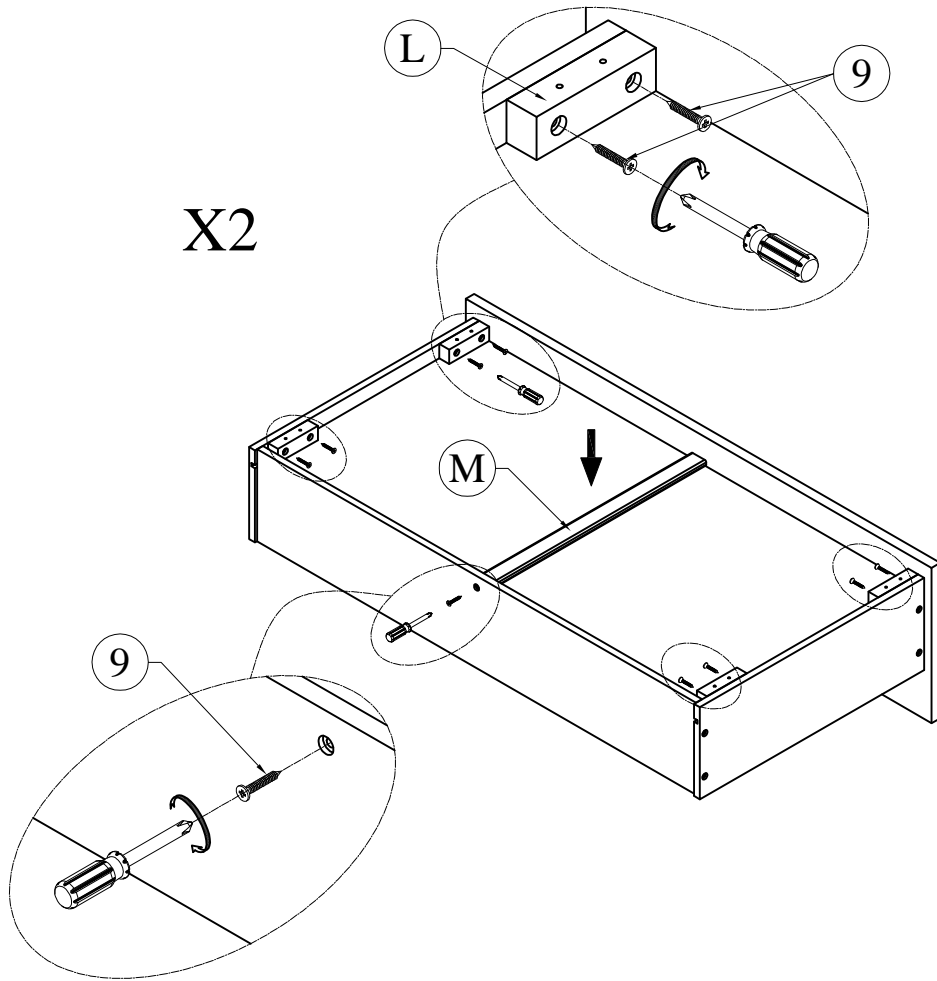


STEP 11

9



Wood crews
M4 * 25 - 18pcs



STEP 12

8

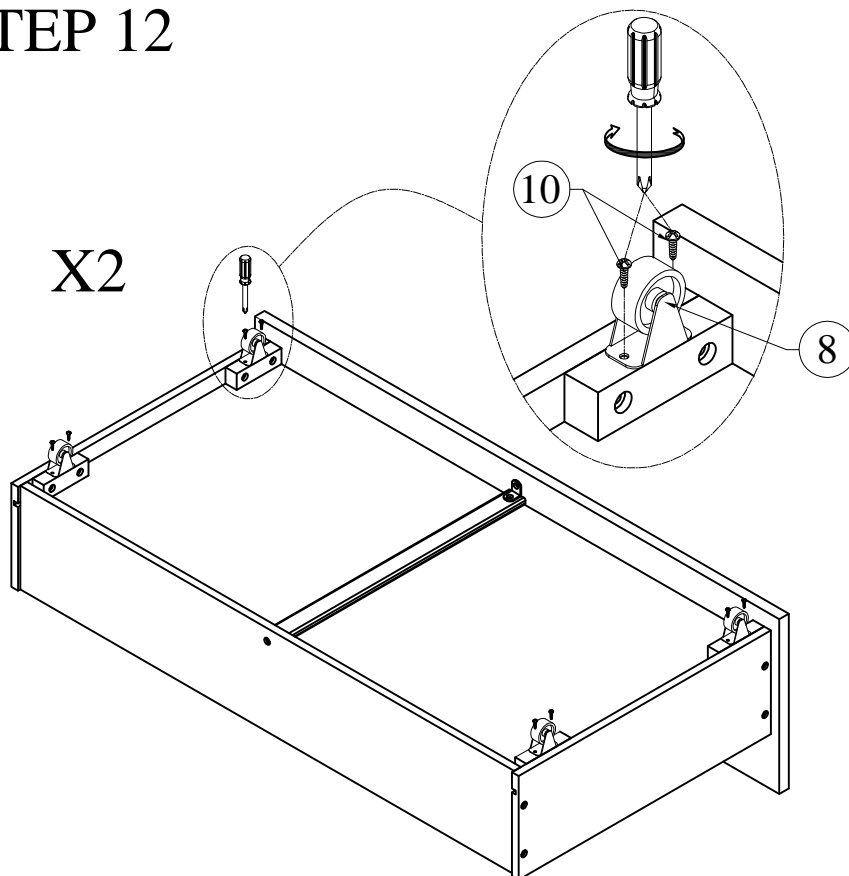


Wheel
Ø30 - 8pcs

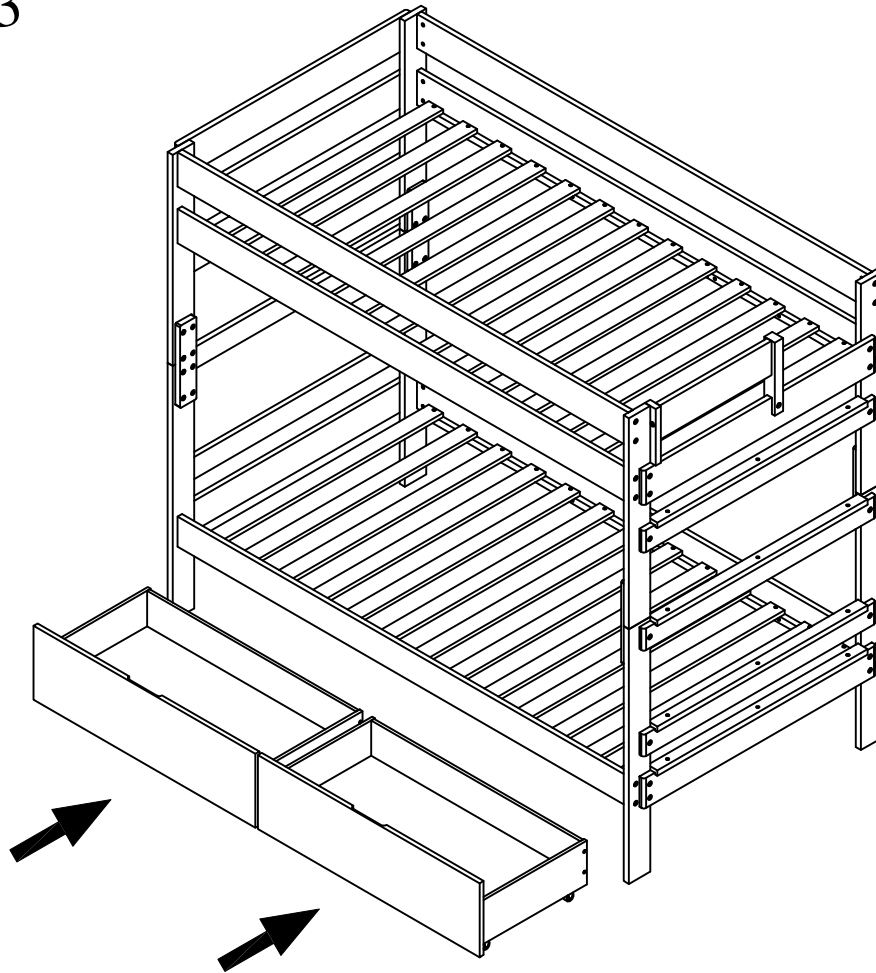
10



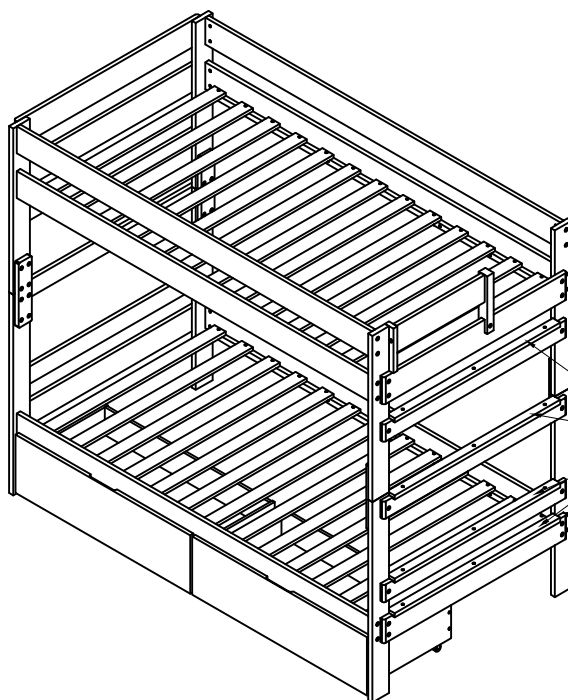
Round Wood crews
M3.5 * 15 - 16pcs



STEP 13



COMPLETED



Parts F are used as stairs to get to the upper bed