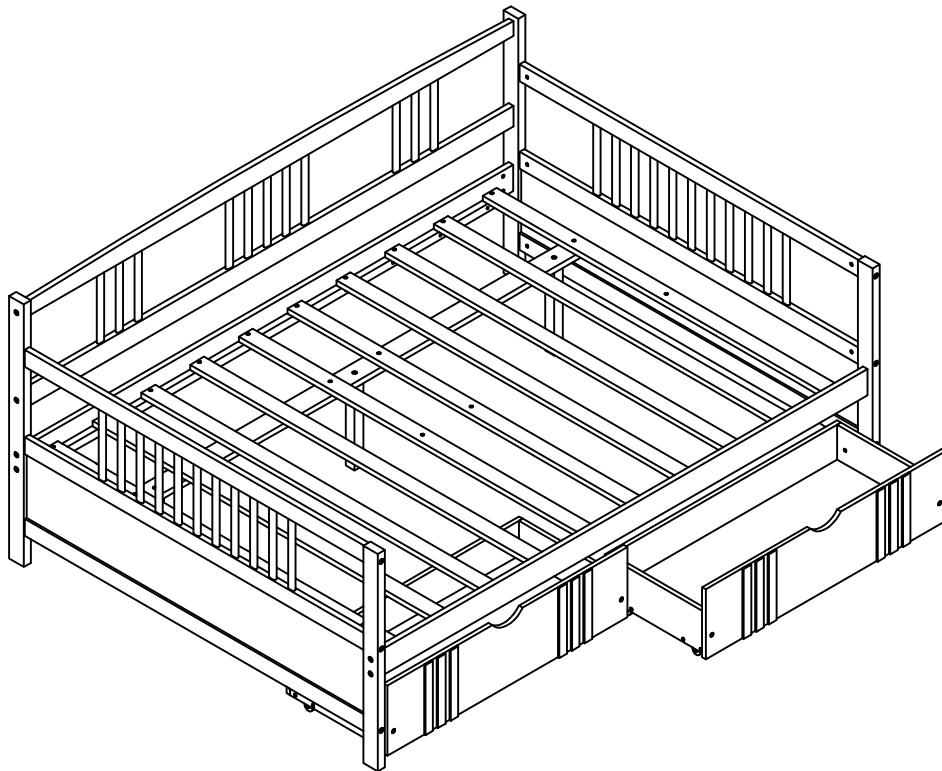


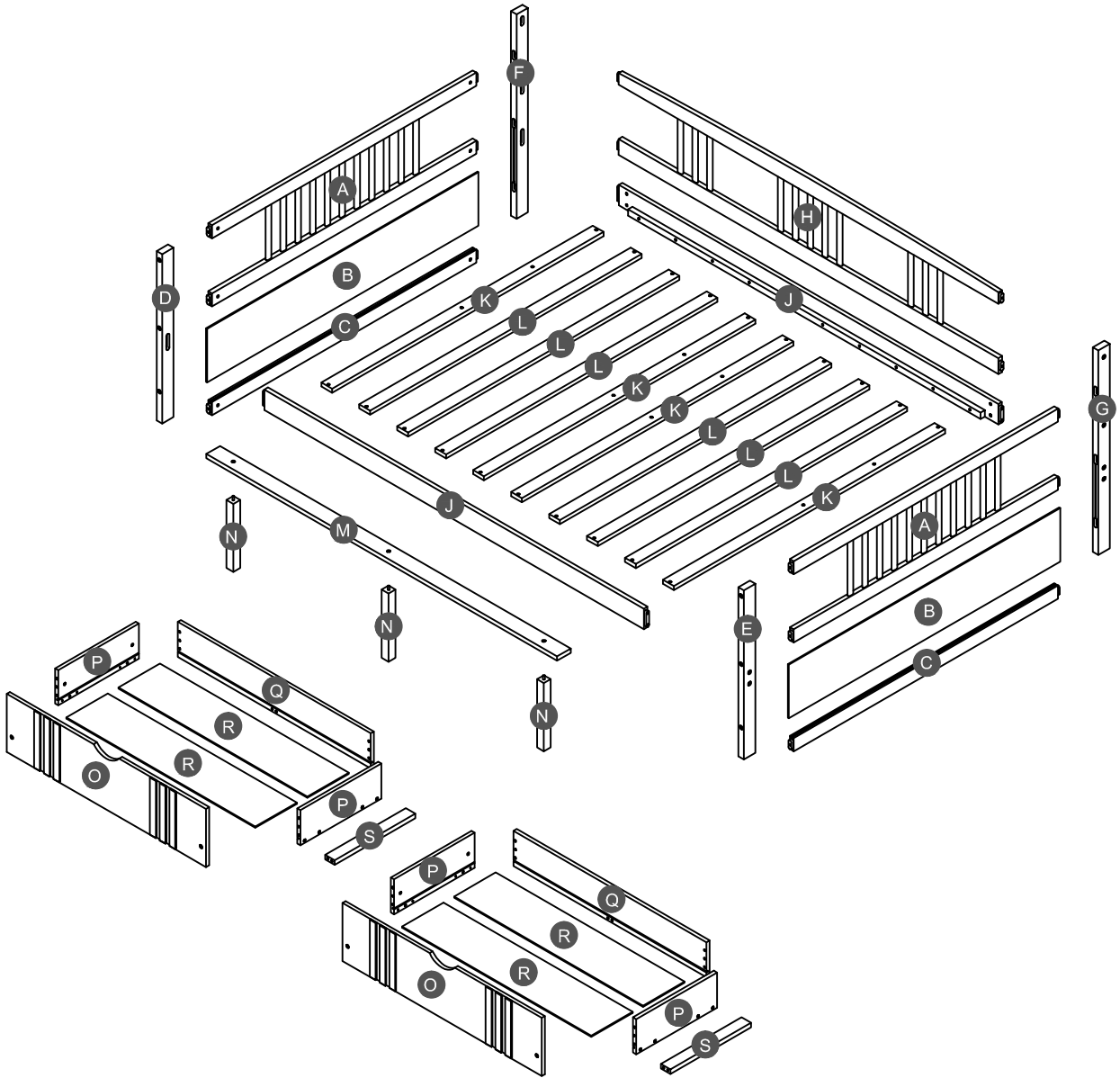
ASSEMBLY INSTRUCTIONS

FULL SIZE DAYBED WITH 2 DRAWERS



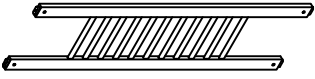
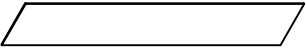

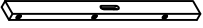
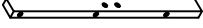
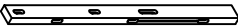
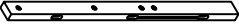
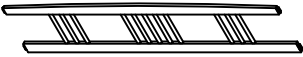


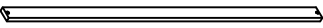

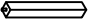
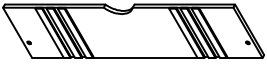
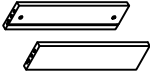

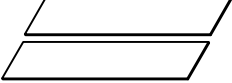
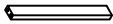
WF295132

Detail View

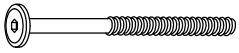
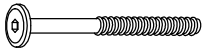
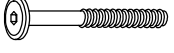
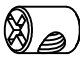


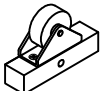
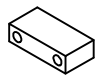
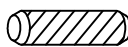



Part List

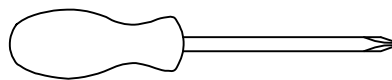
WF295132

A  Frame HB/FB - 2pcs	B  Side panel - 2pcs	C  Horizontal bar - 2pcs
D  Leg (Left Front) - 1pc	E  Leg (Right Front) - 1pc	F  Leg (Left Back) - 1pc
G  Leg (Right Back) - 1pc	H  Long guard rail - 1pc	J  Side rail - 2pcs
K  Slats - 4pcs	L  Slats - 6pcs	M  Lower support slat - 1pc
N  Leg support - 3pcs	O  Front drawer panel - 2pcs	P  Left / right drawer panel - 4pcs
Q  Back drawer panel - 2pcs	R  Drawer bottom - 4pcs	S  Support drawer - 2pcs

Hardware List

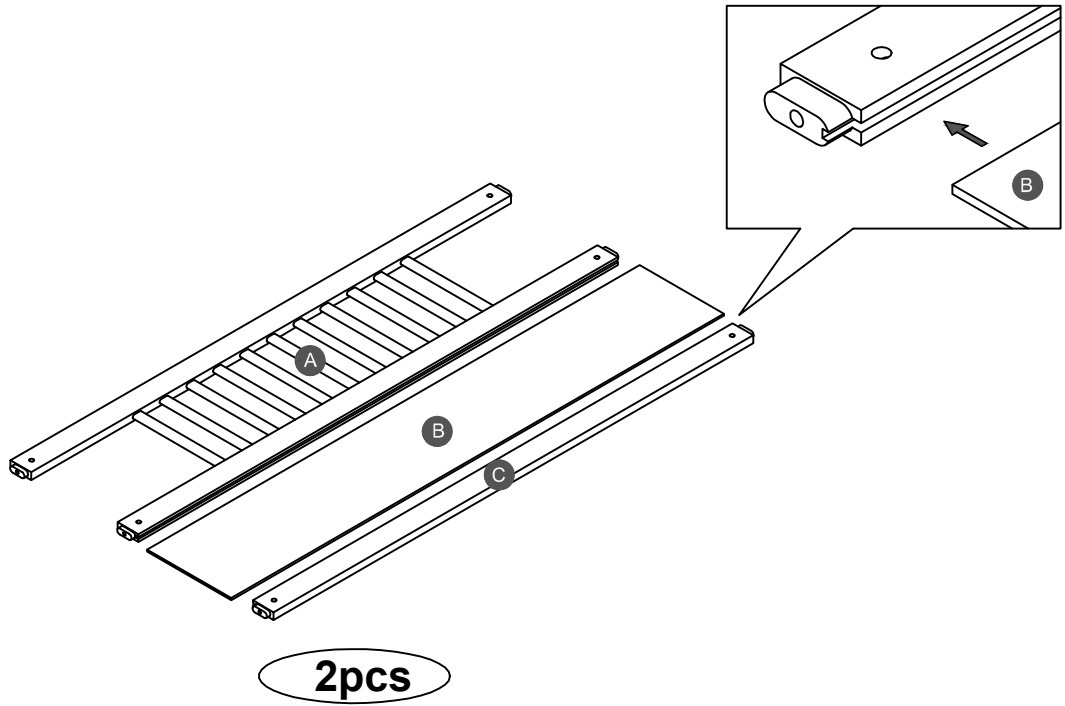
1  (Ø15)1/4"*100mm Hex-Head bolts (12pcs)	2  (Ø15)1/4"*80mm Hex-Head bolts (12pcs)	3  (Ø12)1/4"*60mm Hex-Head bolts (8pcs)
4  1/4"*15 (9.5mm) Horizontal-Hole bolts(32pcs)	5  (1/4")4.5*58mm Allen key (1pc)	6  Ø4*30mm Wood screws (46pcs)
7  100*54*20 mm Wheels (8pcs)	8  70*35*19 mm Drawer stopper (3pcs)	9  Ø8*30mm Wood dowel (24pcs)
10  Ø10*20mm Wood dowel (8pcs)		

ASSEMBLY TOOLS REQUIRED (NOT INCLUDED)





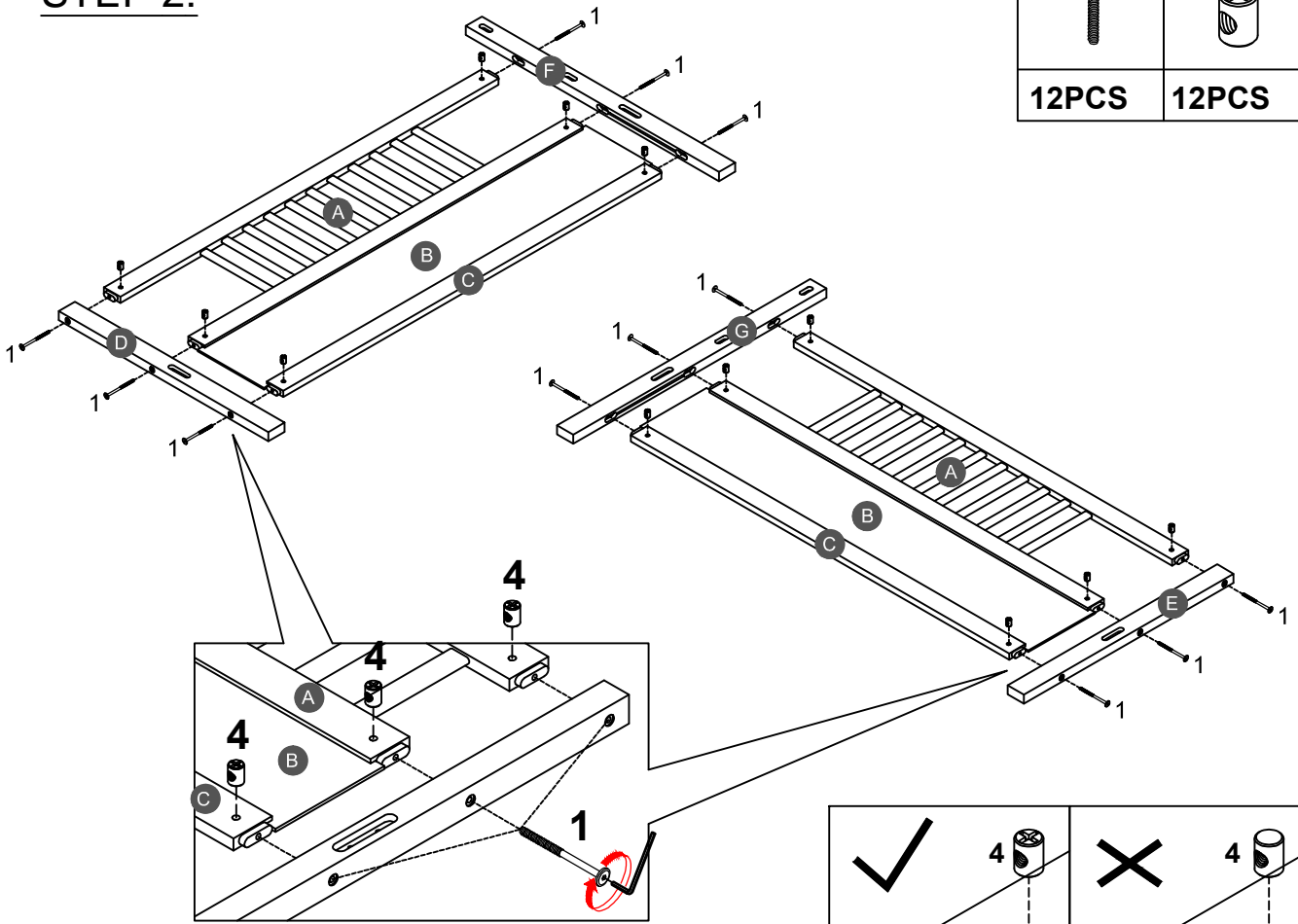
PLEASE BE CAREFUL DO NOT DAMAGE THE HOLE POSITION WHEN YOU USE POWER TOOLS !

STEP 1:

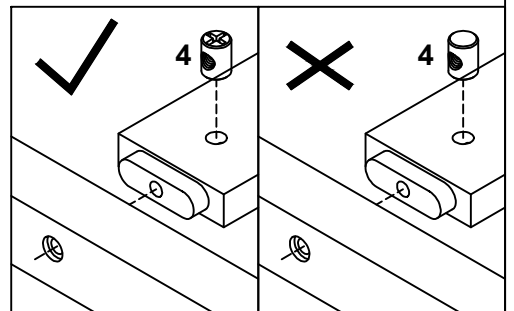


STEP 2:


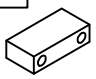
1	4
	
12PCS	12PCS

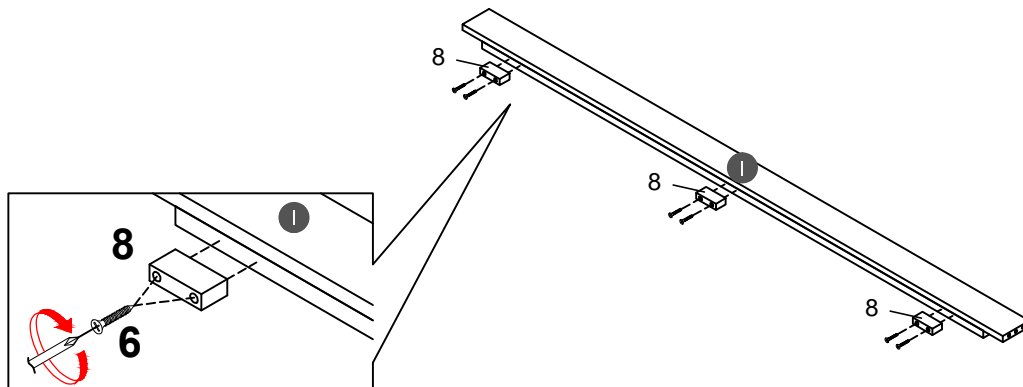


Note: Part 4 will face up with the "x" mark on it, otherwise it cannot be tightened





STEP 3:

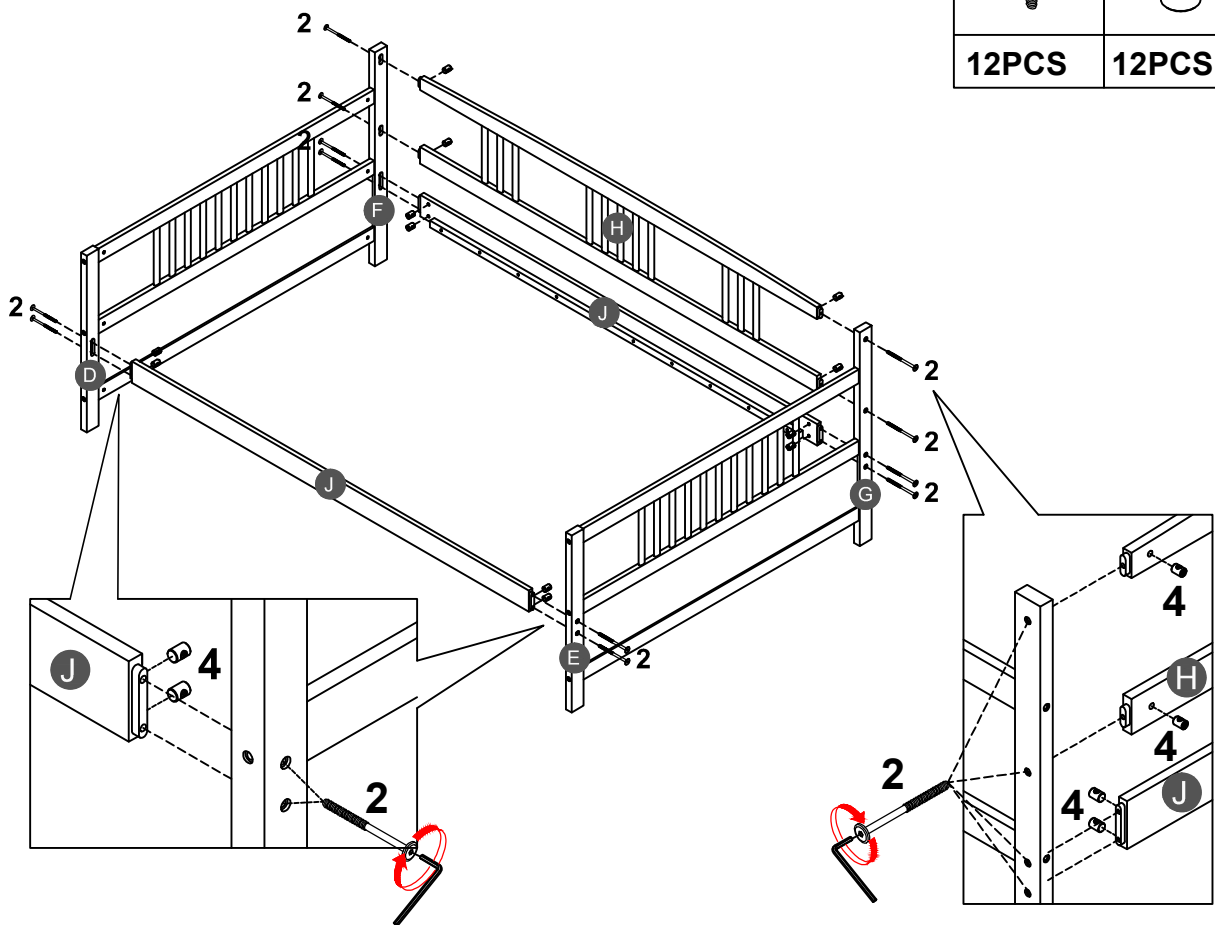
6 	8 
6PCS	3PCS



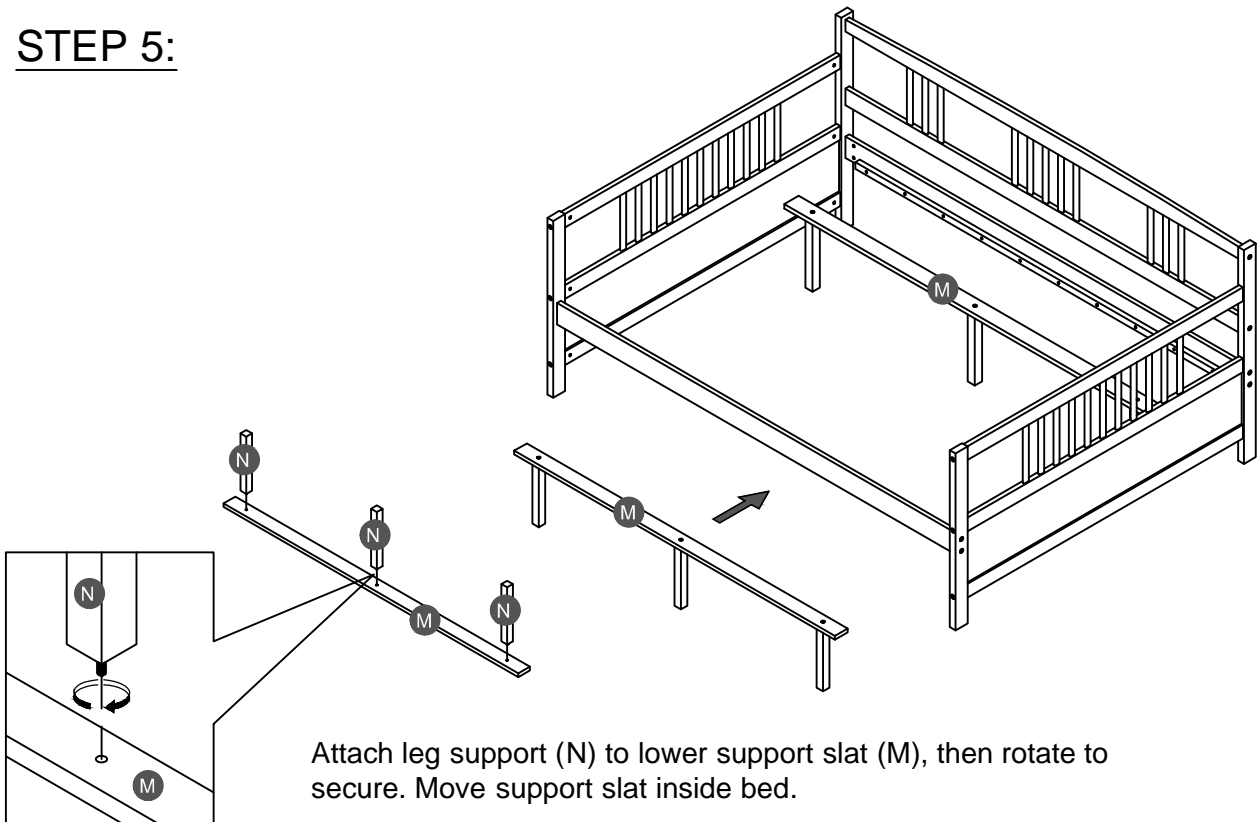
Drawer stopper (8) with lower side rail front (I) by using screw (6).

STEP 4:

2 	4 
12PCS	12PCS

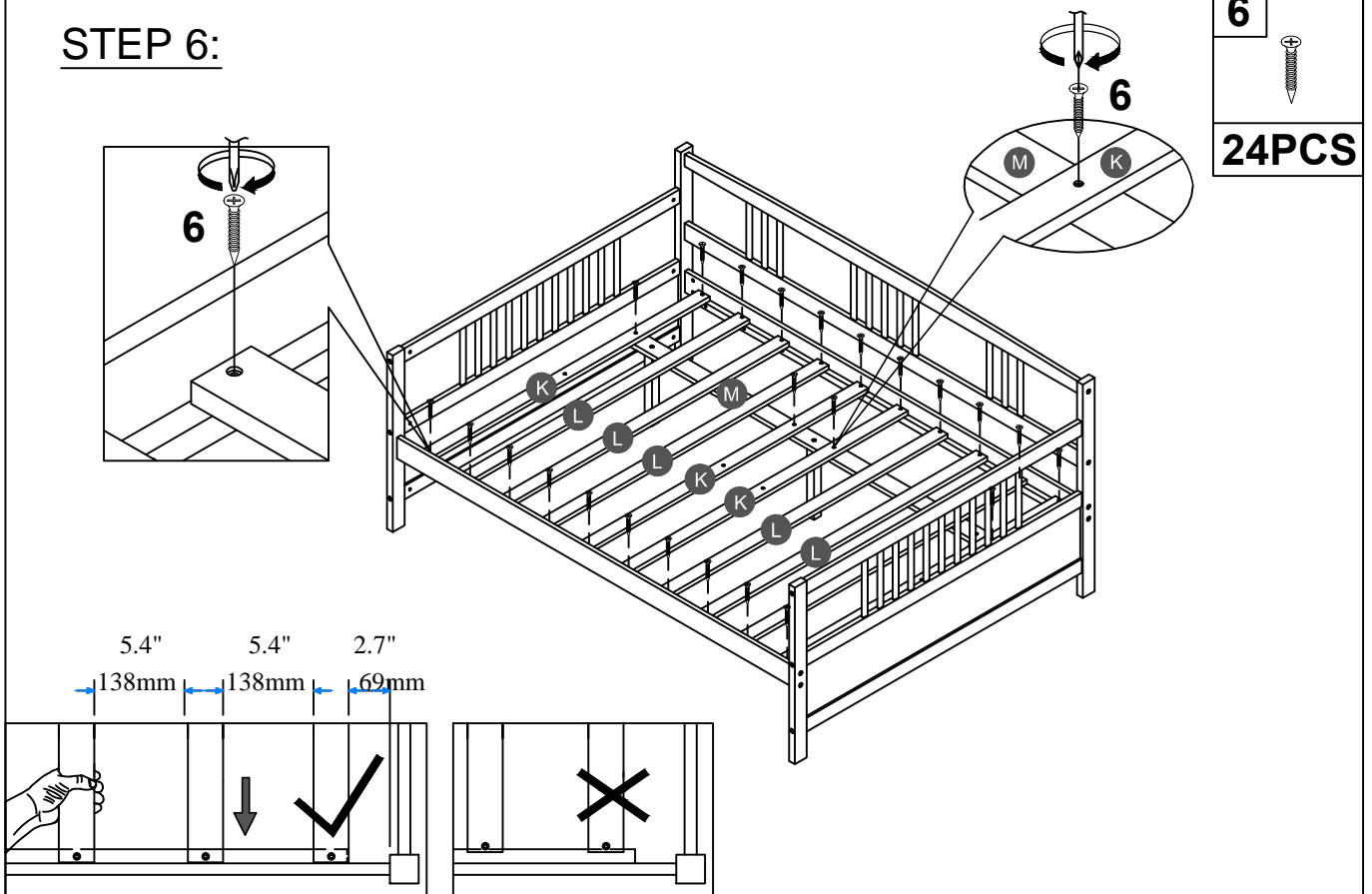


STEP 5:



Attach leg support (N) to lower support slat (M), then rotate to secure. Move support slat inside bed.

STEP 6:



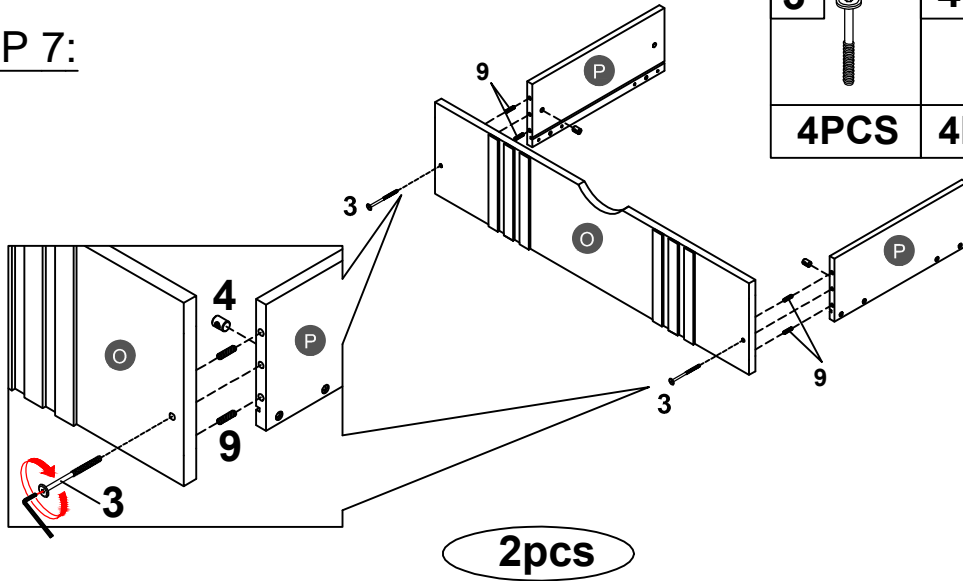
6

24PCS

5.4" 5.4" 2.7"
138mm 138mm 69mm

Note: Do not lock the screws of the bed slats to the outermost edge of the bed slats, you need to leave a certain space at the edges, otherwise it will cause the board to break. Do not lock the bed slats on the edge of the wood, please hold firmly before screwing, hold it in place with one hand, then lock the screw.

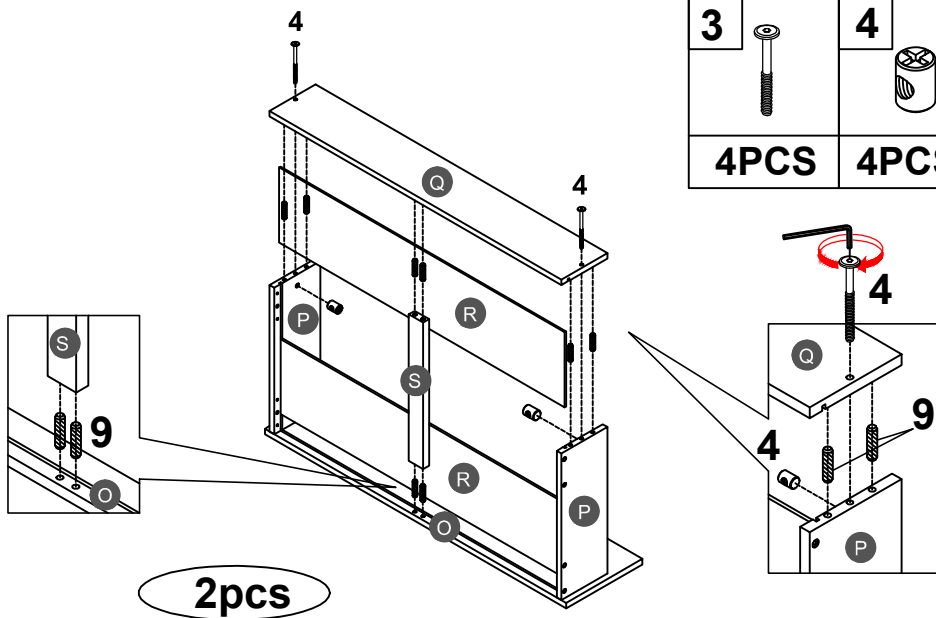
STEP 7:



3		4		9	
4PCS		4PCS		8PCS	

2pcs

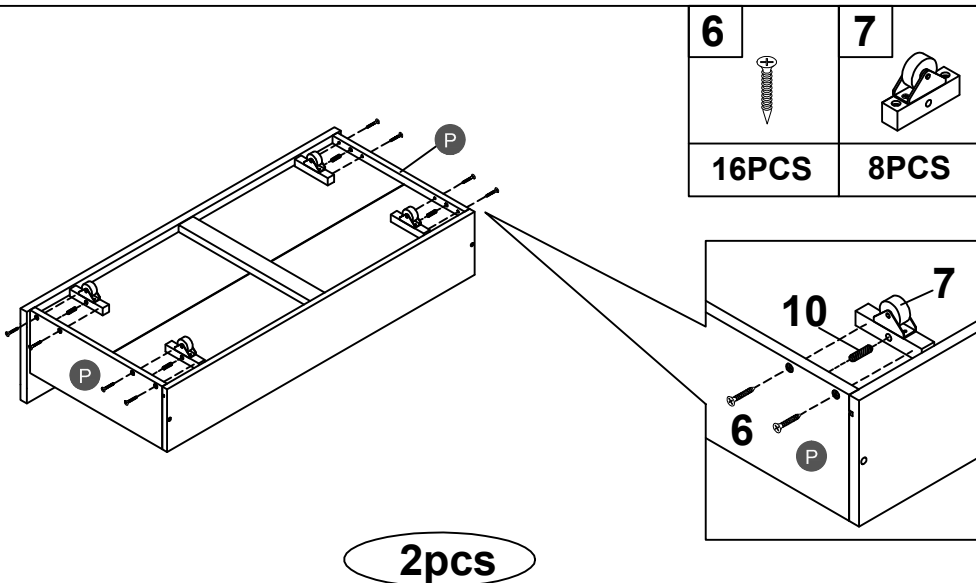
STEP 8:



3		4		9	
4PCS		4PCS		16PCS	

2pcs

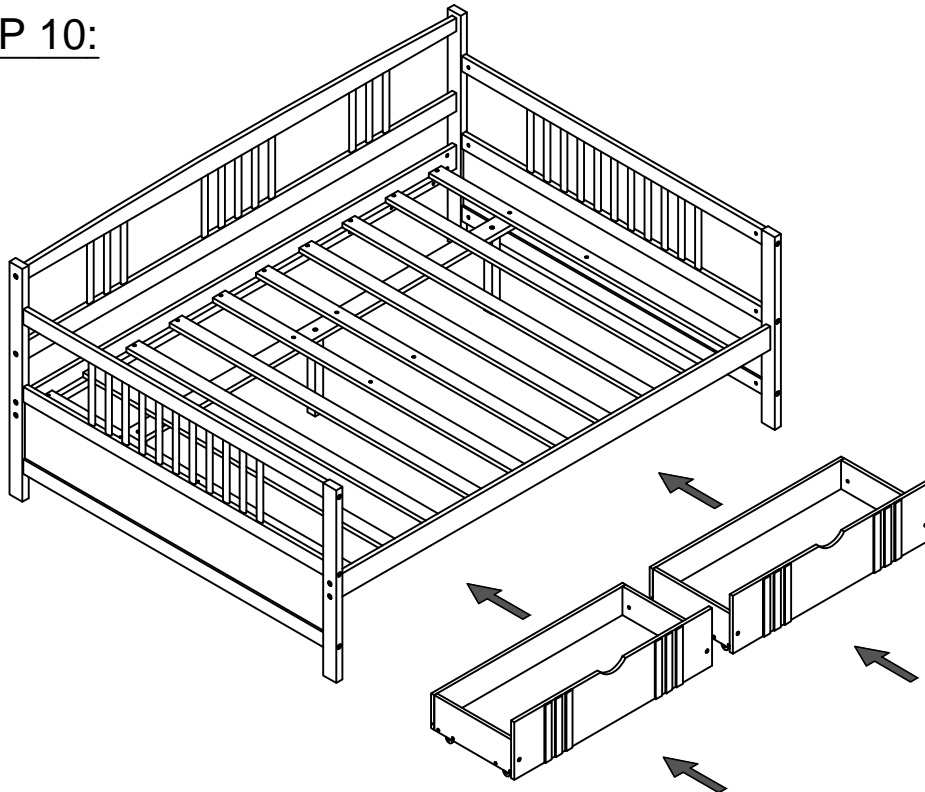
STEP 9:



6		7		10	
16PCS		8PCS		8PCS	

2pcs

STEP 10:



Push drawers under the bottom of daybed.

