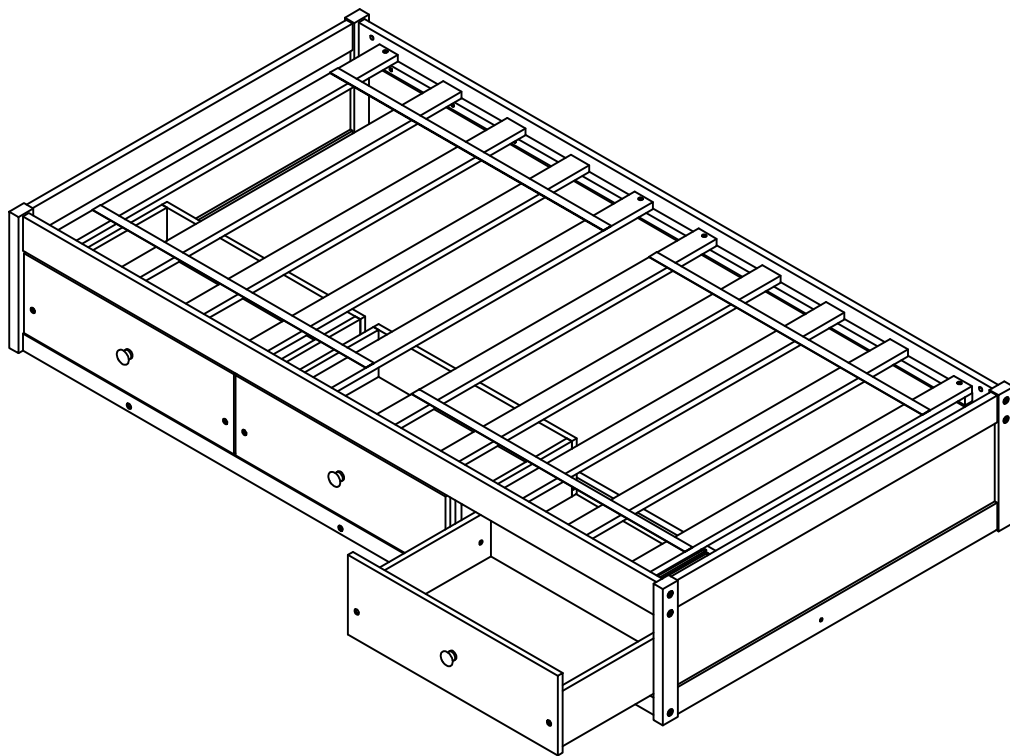


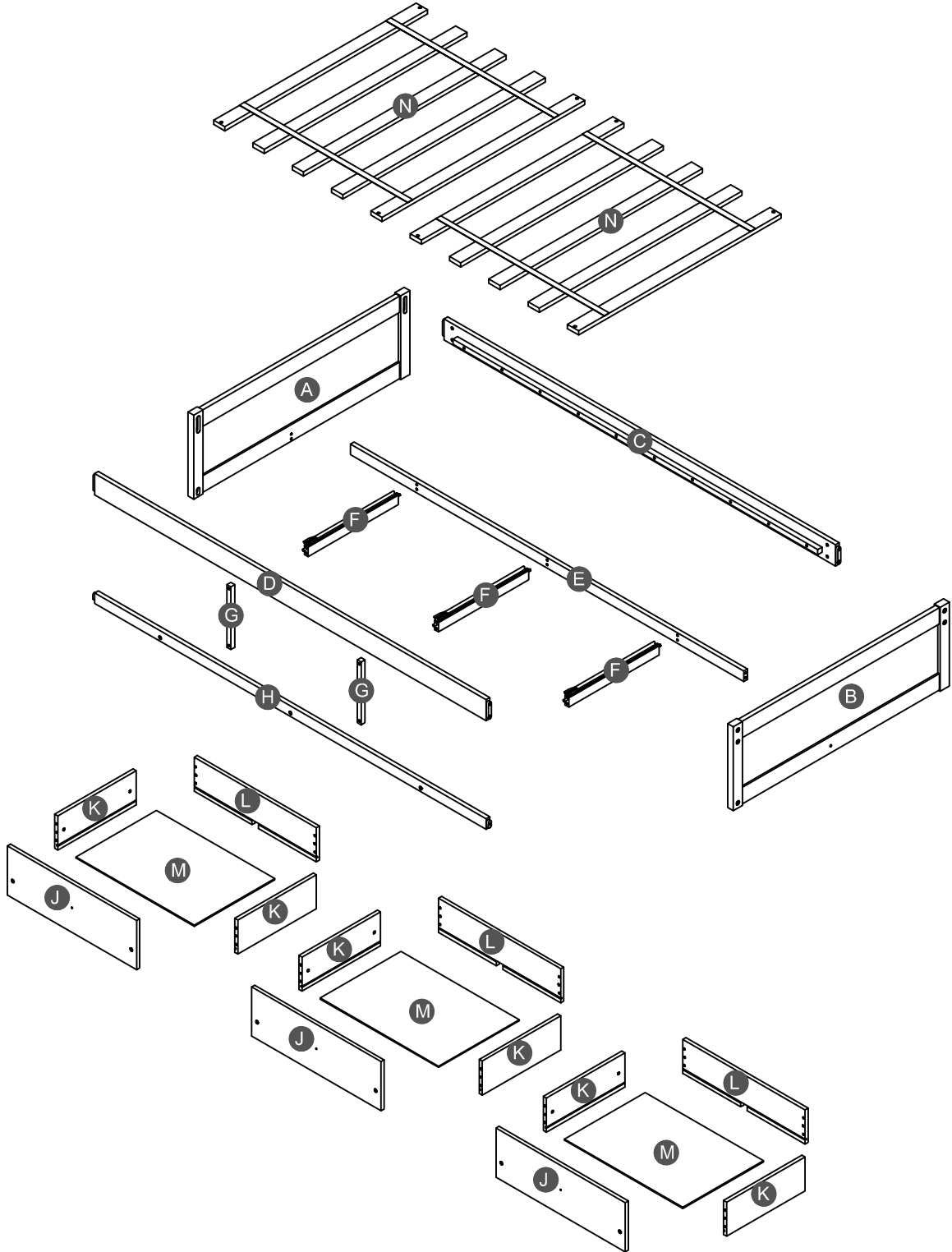
ASSEMBLY INSTRUCTIONS

BED WITH 3 DRAWER

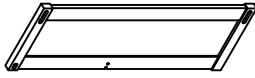
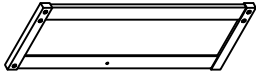

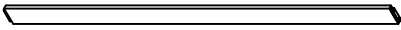
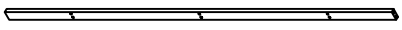
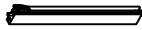
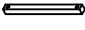
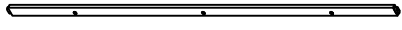
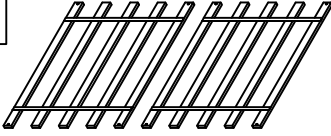
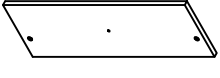
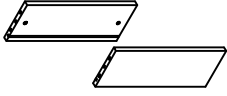




WF193634

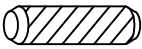
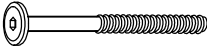






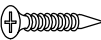


Detail View



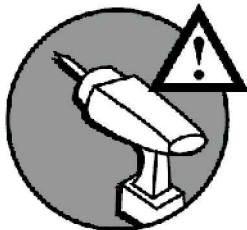
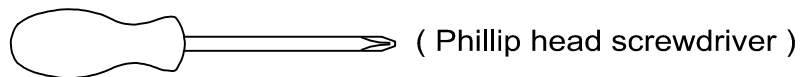
Part List

| | | |
|--|---|---|
| <p>A</p>  <p>Headboard - 1pc</p> | <p>B</p>  <p>Footboard - 1pc</p> | <p>C</p>  <p>Side Rail (Back) - 1pc</p> |
| <p>D</p>  <p>Side Rail (Front) - 1pc</p> | <p>E</p>  <p>Support Rail - 1pc</p> | <p>F</p>  <p>Support Drawer - 3pcs</p> |
| <p>G</p>  <p>Support - 2pcs</p> | <p>H</p>  <p>Drawer Side Rail - 1pc</p> | <p>N</p>  <p>Slats -2set (5pcs/set)</p> |
| <p>J</p>  <p>Drawer Front - 3pcs</p> | <p>K</p>  <p>Drawer Left/Right - 6pcs</p> | <p>L</p>  <p>Drawer Back - 3pcs</p> |
| <p>M</p>  <p>Drawer Bottom - 3pcs</p> | | |

Hardware List



| | | |
|---|---|--|
| 1  Ø8*30mm Wood dowel (26pcs) | 2  (Ø15)1/4"*70mm Hex-Head bolts (10pcs) | 3  1/4"*15 (9.5mm) Horizontal-Hole bolts(30pcs) |
| 4  (Ø12)1/4"*60mm Hex-Head bolts (20pcs) | 5  Ø38*31mm Pine Knob (3pcs) | 6  3/16"*25mm Ph zinc(Knob) (3pcs) |
| 7  Ø4*30mm Wood screws (8pcs) | 8  490*30mm Drawer slide (3pcs) | 9  Ø4*15mm Wood screws (9pcs) |
| 10  (Ø12)1/4"*30mm Hex-Head bolts (4pcs) | 12  (1/4")4.5*58mm Allen key (1pc) | |

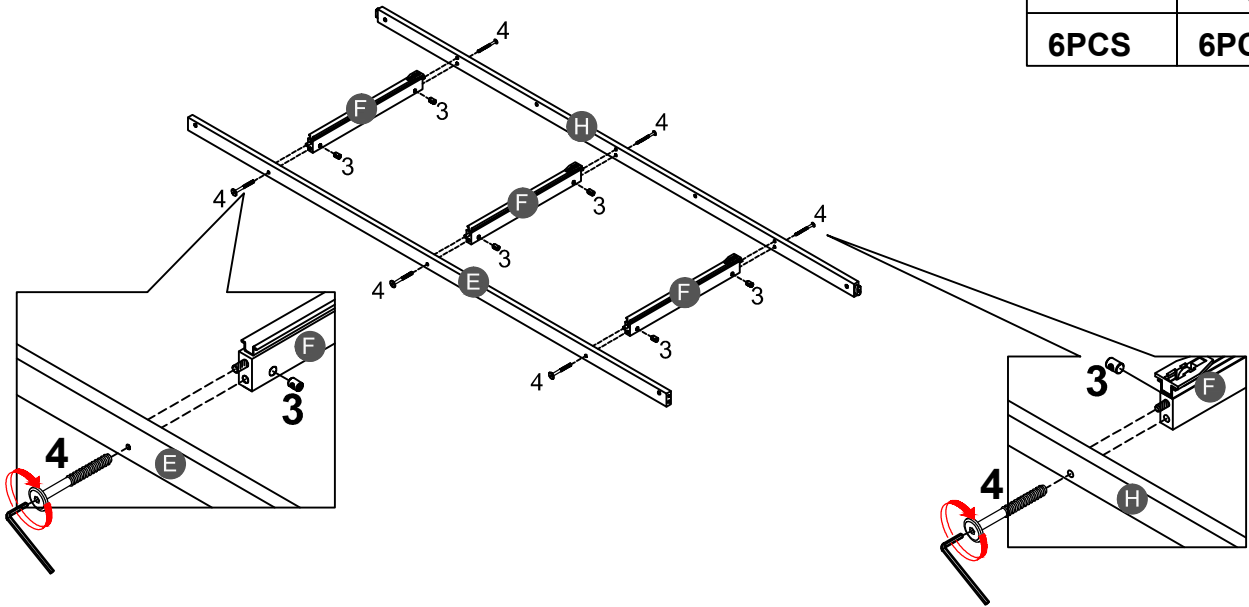
ASSEMBLY TOOLS REQUIRED (NOT INCLUDED)







DO NOT USE POWER TOOLS TO ASSEMBLE THIS PRODUCT !

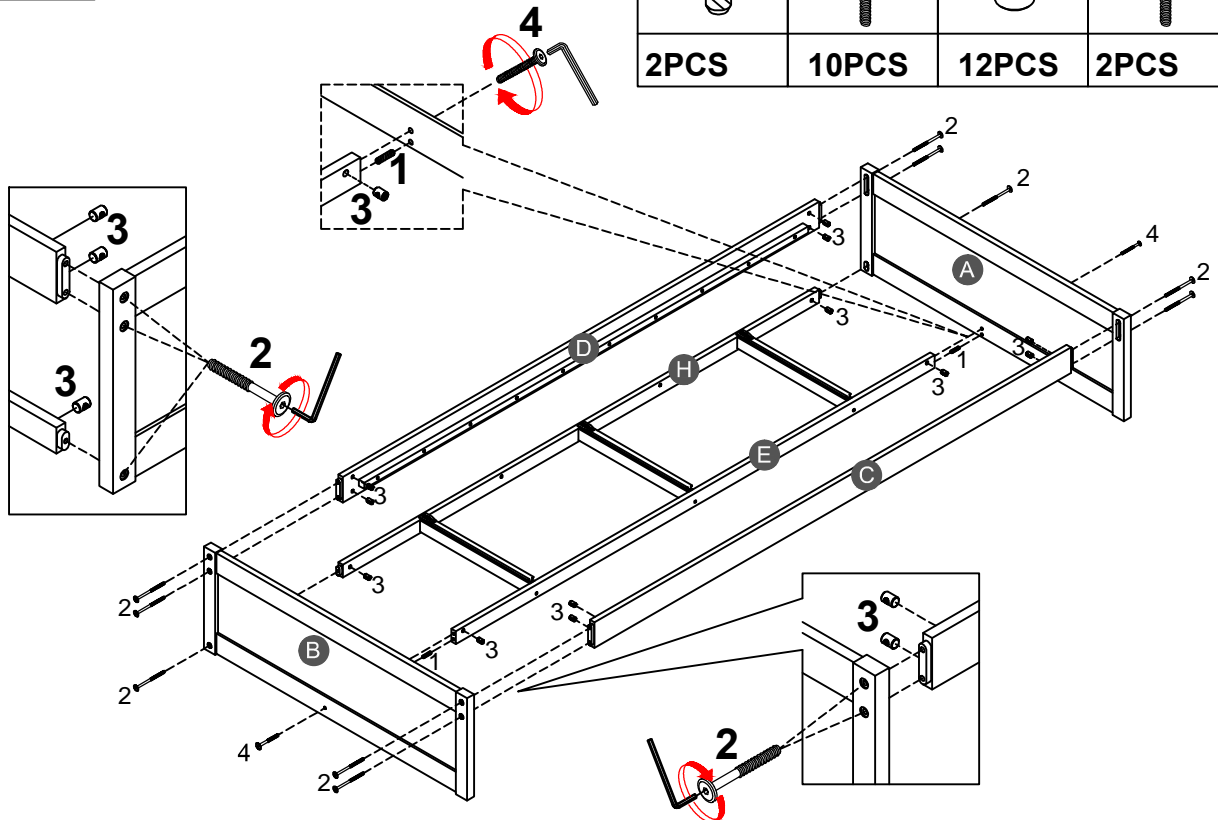
STEP 1:

| | | | |
|-------------|---|-------------|---|
| 3 |  | 4 |  |
| 6PCS | | 6PCS | |




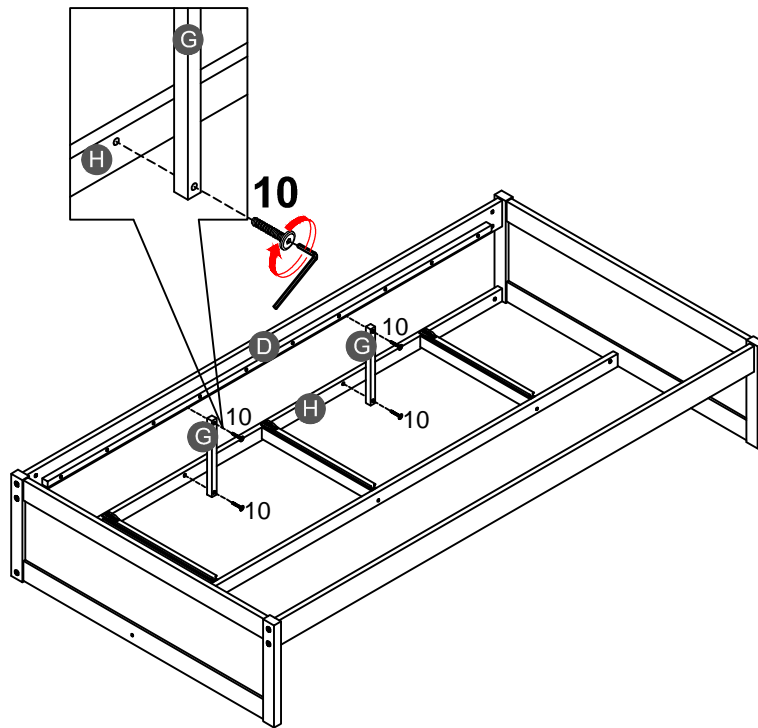
STEP 2:

| | | | | | | | |
|-------------|---|--------------|---|--------------|---|-------------|---|
| 1 |  | 2 |  | 3 |  | 4 |  |
| 2PCS | | 10PCS | | 12PCS | | 2PCS | |




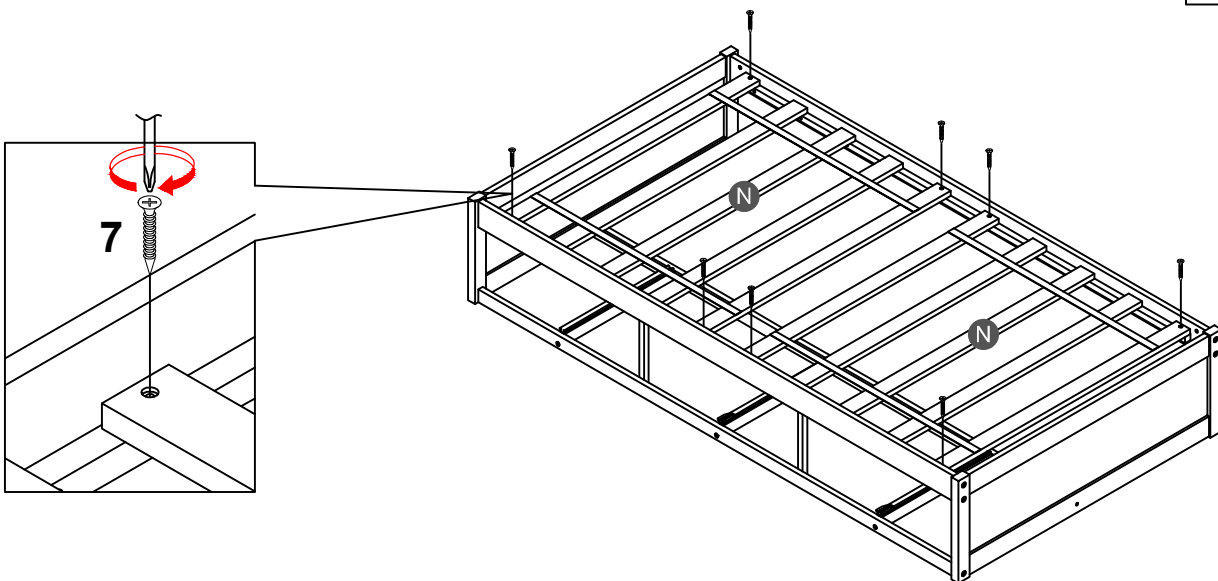
STEP 3:

| | |
|-------------|---|
| 10 |  |
| 4PCS | |

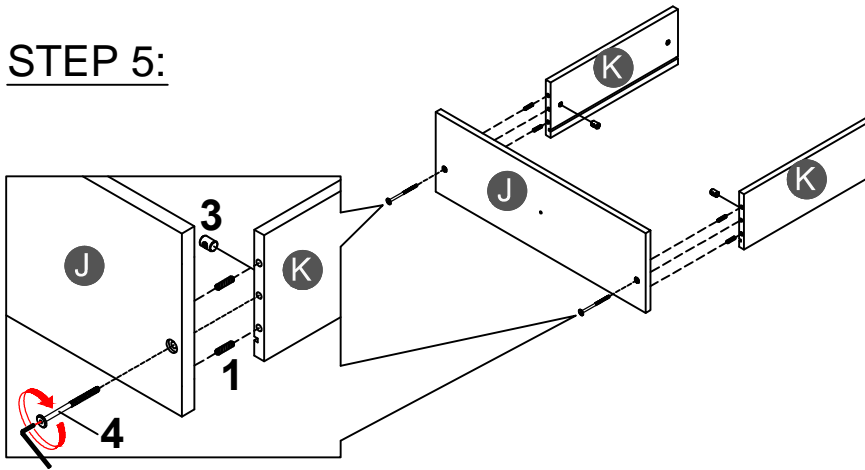


STEP 4:

| | |
|-------------|---|
| 7 |  |
| 8PCS | |



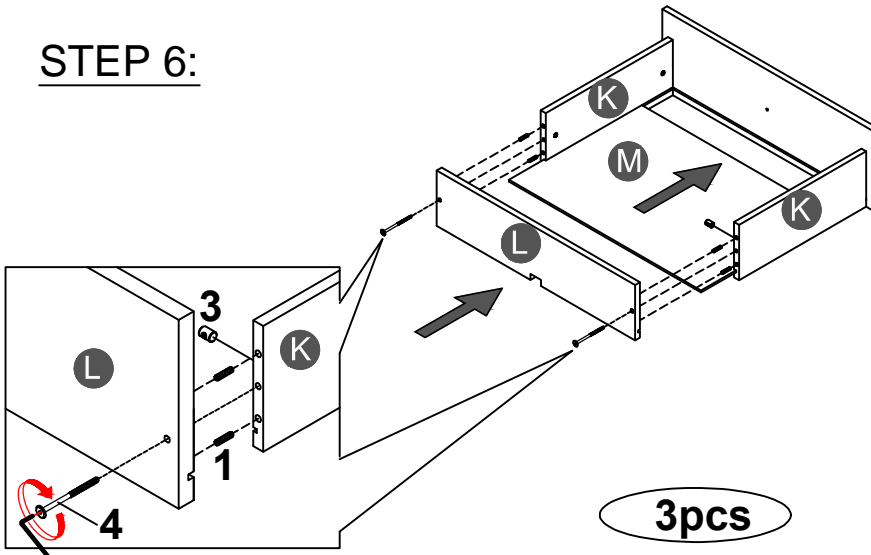
STEP 5:



| | | | |
|--------------|--|-------------|--|
| 1 | | 3 | |
| 12PCS | | 6PCS | |
| | | 4 | |
| | | 6PCS | |

3pcs

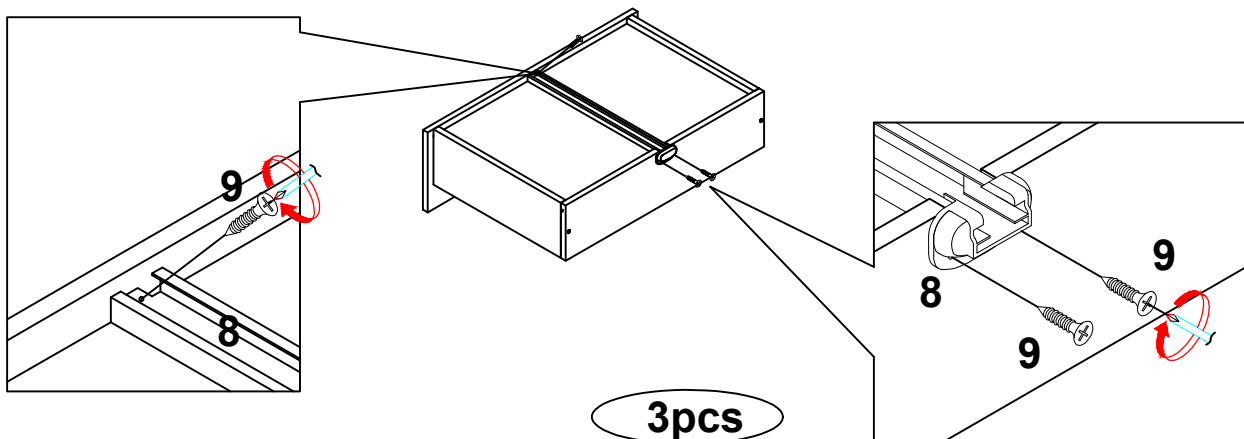
STEP 6:



| | | | |
|--------------|--|-------------|--|
| 1 | | 3 | |
| 12PCS | | 6PCS | |
| | | 4 | |
| | | 6PCS | |

3pcs

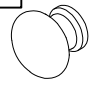

STEP 7:

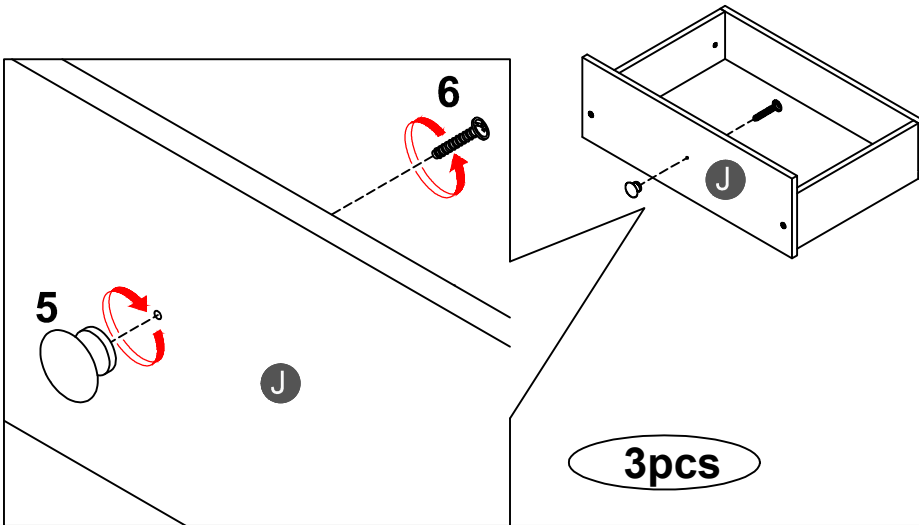


| | | | |
|-------------|--|-------------|--|
| 8 | | 9 | |
| 3PCS | | 9PCS | |

3pcs

STEP 8:

| | | | |
|-------------|---|-------------|---|
| 5 |  | 6 |  |
| 3PCS | | 3PCS | |



STEP 9:

